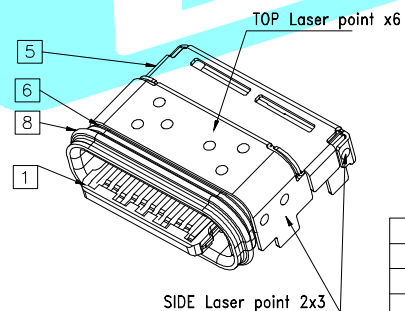
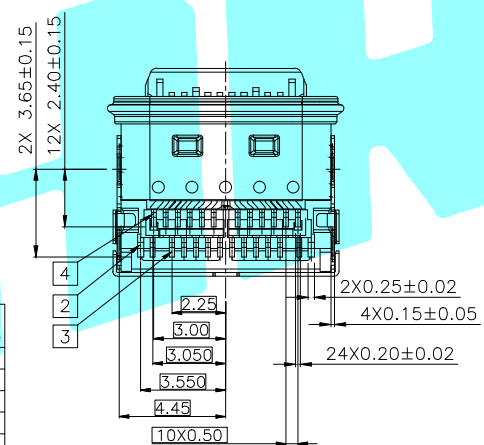
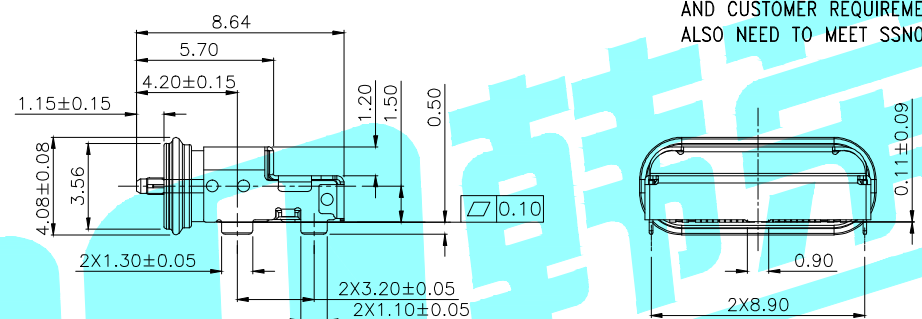
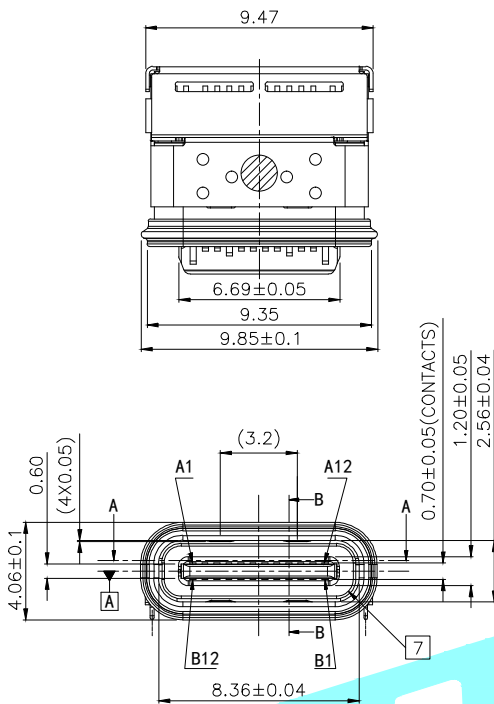


- NOTES:
- 1.MATERIAL :SEE TABLE
 - 2.COPLANARITY : 0.10 Max.
 - 3.ELECTRICAL CHARACTERISTICS
 LOW LEVEL CONTACT RESISTANCE: 40 M Ω Max
 INSULATION RESISTANCE:100M Ω MIN
 DIELECTRIC WITHSTANDING VOLTAGE:100 VAC:
 CONTACT CURRENT RATING:5A Max
 - 4.MECHANICAL CHARACTERISTICS
 INSERTION FORCE: 5~20N
 EXTRACTION FORCE: 8~20N
 AFTER DURABILITY EXTRACTION FORCE: 6~20N
 - 5.DURABILITY: 10000 CYCLES
 - 6.PACKAGING TYPE: CARRIER TAPE.
 - 7.MATERIAL SHOULD BE FULFILLED AMPHENOL SPEC# SSN002 AND CUSTOMER REQUIREMENTS, FOR HALOGEN FREE PRODUCTS, ALSO NEED TO MEET SSN004

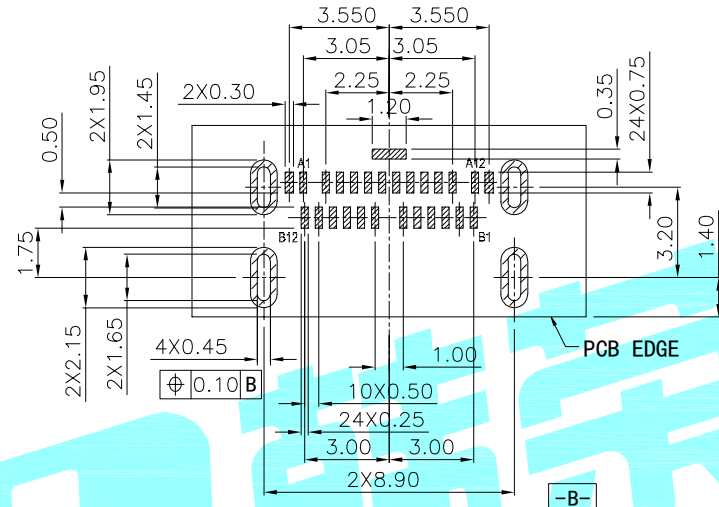
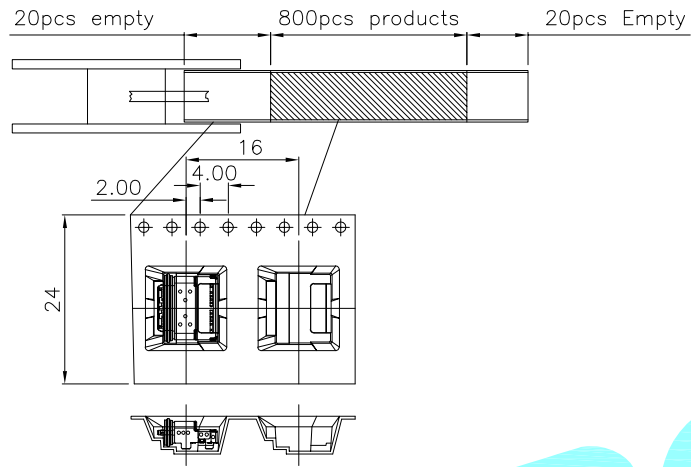


Pin No	Signal Name	Mating Sequence	Pin No	Signal Name	Mating Sequence
A1	GND	First	B12	GND	First
A2	TX1+	Second	B11	RX1+	Second
A3	TX1-	Second	B10	RX1-	Second
A4	Vbus	First	B9	Vbus	First
A5	CC1	Second	B8	SBU2	Second
A6	D+	Second	B7	D-	Second
A7	D-	Second	B6	D+	Second
A8	SBU1	Second	B5	CC2	Second
A9	Vbus	First	B4	Vbus	First
A10	RX2-	Second	B3	TX2-	Second
A11	RX2+	Second	B2	TX2+	Second
A12	GND	First	B1	GND	First
SHELL		GND	SHELL		GND

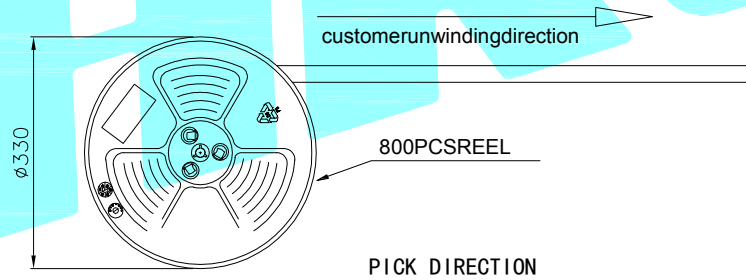
ITEM	DESCRIPTION	Q'TY	MATERIAL	FINISH
8	LIM	1	CHN-LIMS-60-A/B	BLACK
7	SMALL SHELL	1	SUS304-1/2H	NICKEL: 50U" MIN
6	MAIN SHELL	1	SUS304-1/2H	CLEAN
5	SUB-SHELL	1	SUS304-1/2H	SOLDER NICKEL: 50U" MIN
4	TOP TERMINAL	1	NKE012-EH	MATING SIDE: Au30u"MIN; INCLUDING SIDE AND BOTTOM SI Au3u"MIN; SOLDER TAIL: Au3~8u", 80-150u" NICKEL OVEP
3	BOTTOM TERMINAL	1	NKE012-EH	MATING SIDE: Au30u"MIN; INCLUDING SIDE AND BOTTOM SI Au3u"MIN; SOLDER TAIL: Au3~8u", 80-150u" NICKEL OVEP
2	MID PLATE	1	SUS301-H	SOLDER NICKEL: 50U" MIN
1	MAIN HOUSING	1	PA46 HFX31S	BLACK

APPROVALS		DATE	FINISH		
DRAWN	LIUCAN	2020.9.16	 ELECTRONICS CO.,LTD		
CHECKED					
APPROVALS			TITLE:	USB CONNECTOR	
TOLERANCES ARE			PART NO.	TYPE-C-31-E-04	
30~以上	±0.30	ANGLE	UNIT: mm	SCALE: 1:1	PROJ:
10~30	±0.25		DRAWING NO.		SHEET 1 OF 2
5~10	±0.20				
~ 5	±0.15				

ECN NO.	REV.	DATE.	DESCRIPTION.	CHANGE.	CHECK.	APPRO.
	A		NEW			



RECOMMENDED PCB LAYOUT
(Tolerance=±0.05)



APPROVALS		DATE		 ELECTRONICS CO.,LTD		
DRAWN	LIUCAN	2020.9.16				
CHECKED				PART NO.	TYPE-C-31-E-04	
APPROVALS				UNIT: mm	SCALE: 1:1	PROJ:
TOLERANCES ARE	30~以上	±0.30	ANGLE	DRAWING NO.	SHEET 2 OF 2	
	10~30	±0.25				
	5~10	±0.20				
	~ 5	±0.15				

ECN NO.	REV.	DATE.	DESCRIPTION.	CHANGE.	CHECK.	APPRO.
	A		NEW			

X-ON Electronics

Largest Supplier of Electrical and Electronic Components

Click to view similar products for [USB Connectors](#) category:

Click to view products by [HRO parts manufacturer](#):

Other Similar products are found below :

[950](#) [A-USB B-TOP-C](#) [MUSBA511N5](#) [MUSBC111M5](#) [MUSBD11135](#) [17-200721](#) [217450-1](#) [KMBVX-TH-5S-B30](#) [896-30-004-00-000000](#)
[KUSBX-AS2N-W](#) [KUSBX-SMT2AP1S-W30](#) [935](#) [957](#) [30-498-6](#) [SK-60A-2](#) [1734082-1](#) [30-1574](#) [30-470](#) [30-489](#) [30-541](#) [30-572-3](#) [A-USB](#)
[A-2P-C](#) [MIKROE-1451](#) [USBFTV2PEM2G](#) [USBFTVSCCG](#) [4689-1](#) [1-1734084-2](#) [MUSBC11135](#) [USBF21ZNSCC](#) [USBBFTV6ZC](#)
[MUSBB151341](#) [10135326-001LF](#) [M9177/3-1](#) [TJ-105](#) [USB-A-S-F-B-VT](#) [4198](#) [690-024-633-031](#) [UB-20PMFP-LC7001](#) [USBFTVC6MRG](#)
[UA-20BMFA-SL8001](#) [17-200011](#) [USBFTVC7ZC](#) [UB-20AFMM-LL7A01](#) [USBFTVC2MN](#) [CAP-WCCMLPB1](#) [1310-1031-01](#) [2041386-1](#)
[2274475-3](#) [UB-20BMFA-SL8001](#) [UB-20PMFP-SC8003](#)