

PCB EDGE

PCB Layout(Pattern side)

Note:

1.Material:

- 1.1 Housing: High temperature thermoplastic,Black UL 94V-0.
- 1.2 Terminal:Copper Alloy,5u" Gold Plated At Contact Area, G/F Gold Plated At Soldered Area,Nickel Underplated Overall.
- 1.3 Shell: Zinc Alloy,Nickel Plated.
- 1.4 Ring: Silicon,65±10A.

2.Electrical:

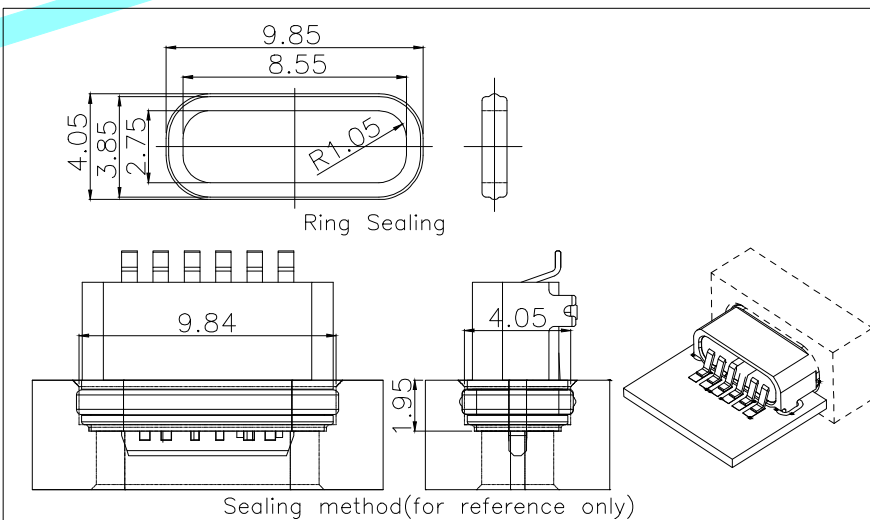
- 2-1:Rated Voltage: 30V AC.
- 2-2:Rated Current: 5.0A Max.
- 2-3>Contact Resistance: 40mΩ Max.
- 2-4:Insulation Resistance: 100MΩ Min.
- 2-5:Dielectric Strength: 100V AC.

3:Mechanical Performance:

- 3-1:Insertion Force:5~20N
- 3-2:Withdrawal Force:6~20N
- 3-3:Durability: 10000 CYCLES
- 3-4:Operating Temperature :-25°C~+80°C.

4: Waterproof: IP-X8.

A5	CC1	B12	GND
A9	VBUS	B9	VBUS
A12	GND	B5	CC2
PIN	SIGNAL NAME	PIN	SIGNAL NAME



Sealing method(for reference only)

APPROVALS		DATE				
DRAWN	LIUCAN	2021.6.30				
CHECKED			TITLE:	USB CONNECTOR		
APPROVALS			PART NO.	TYPE-C-31-E-07		
TOLERANCES ARE		30~以上 ±0.30 10~30 ±0.25 5~10 ±0.20 ~ 5 ±0.15	ANGLE	UNIT: mm	SCALE: 1:1	Proj:
ECN NO.	REV.	DATE.	DESCRIPTION.	CHANGE.	CHECK.	APPRO.

ECN NO.	REV.	DATE.	DESCRIPTION.	CHANGE.	CHECK.	APPRO.
	A		NEW			

X-ON Electronics

Largest Supplier of Electrical and Electronic Components

Click to view similar products for [USB Connectors](#) category:

Click to view products by [HRO parts manufacturer](#):

Other Similar products are found below :

[950](#) [A-USB A-LP-SMT-C](#) [A-USB B-TOP-C](#) [MUSBD11135](#) [17-200721](#) [217450-1](#) [KMBVX-TH-5S-B30](#) [KUSBX-AS2N-W](#) [KUSBX-SMT2AP1S-W30](#) [935](#) [957](#) [30-498-6](#) [SK-60A-2](#) [1734082-1](#) [30-470](#) [30-489](#) [30-541](#) [MAB 5 S](#) [A-USB A-2P-C](#) [MIKROE-1451](#)
[USBFTVSCCG](#) [1-1734084-2](#) [MUSBA81130](#) [NK-27-32SL](#) [NK-L8-22C-5/8](#) [10135326-001LF](#) [4198](#) [690-024-633-031](#) [UB-20PMFP-LC7001](#)
[17-200011](#) [UB-20AFMM-LL7A01](#) [CAP-WCCMLPB1](#) [CAP-WCCMLPC1](#) [2274475-3](#) [914-614A2025S10200](#) [USB3FTV7SAGF059](#)
[USB3FTV2SAZNF459](#) [USB3FTV7SAZNF459](#) [HYCW153-USBD05-500B](#) [HYCW148-USBD05-117B](#) [HYCW149-USBD05-740B](#)
[HYCW214-USBA04-113B](#) [HYCW213-USBA04-113B](#) [KMMX-BSMT35S-1-B30TR](#) [2345986-1](#) [10082141-N340LF](#) [10117836-011LF](#)
[GSB3C3133DSYHR](#) [GT-USB-2014-CWG1](#) [GT-USB-7010ANS](#)