

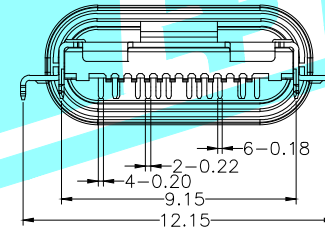
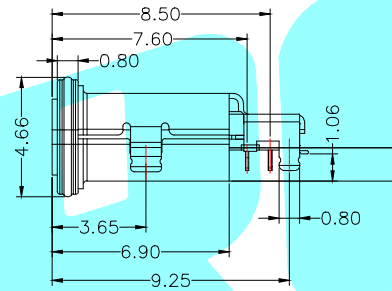
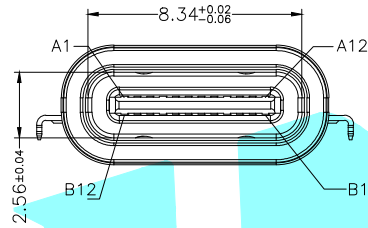
SPECIFICATION:

1.ELECTRICAL:

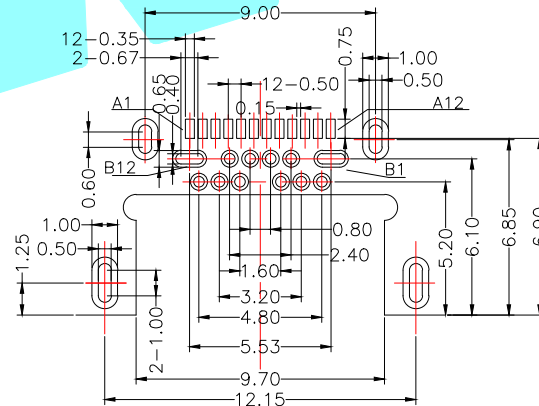
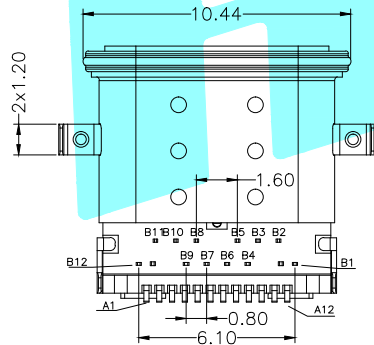
- 1-1:CURRENT RATING:
VBUS AND GND CONTACTS RATED AT 1.25A
PARALLELED FOR A TOTAL OF 5A;
- 1-2:INITIAL CONTACT RESISTANCE :40 MEGOHMS
- 1-3:DIELECTRIC WITHSTANDING VOLTAGE:
100V AC MIN;

2:MECHANICAL CHARACTERISTICS:

- 2-1:MATING FORCE:5~20N
 - 2-2:UNMATING FORCE:8~20N(INITIAL),
6~20N(AFTER 10000 CYCLES)
 - 2-3:FREQUENCY: 200±50 CYCLES /HOUR,10000
CYCLES
 - 2-4:OPERATING TEMPERATURE ;-40°~80°.
- 3: WATERPROOF: IP-X7.



A1	GND	B12	GND
A2	SSTXP1	B11	SSRXP1
A3	SSTXN1	B10	SSRXN1
A4	VBUS	B9	VBUS
A5	CC1	B8	SBU2
A6	DP1	B7	DN2
A7	DN1	B6	DP2
A8	SBU1	B5	CC2
A9	VBUS	B4	VBUS
A10	SSRXN2	B3	SSTXN2
A11	SSRXP2	B2	SSTXP2
A12	GND	B1	GND
PIN	SIGNAL NAME	PIN	SIGNAL NAME



RECOMMEND PCB LAYOUT
TOL=±0.05

⑦	RING	—	1	SILICON	Wathet
⑥	MID-PLANT	—	1	STAINLESS STEEL	—
⑤	GND-PLANT	—	1	STAINLESS STEEL	NI/SN Plated
④	SHELL	—	1	STAINLESS STEEL	—
③	INNER SHELL	—	1	STAINLESS STEEL	NI Plated
②	CONTACT	—	2	COPPER ALLOY	Au/NI Plated
①	HOUSING	—	1	HIGH TEMPERATURE PLASTIC	BLACK
ITEM	PART NAME	TER'NO.	QTY.	MATERIAL	FINISHING

APPROVALS		DATE		 ELECTRONICS CO.,LTD			
DRAWN	LIUCAN	2021.6.29					
CHECKED				TITLE:	USB CONNECTOR		
APPROVALS				PART NO.	TYPE-C-31-E-12B		
TOLERANCES ARE		30~以上 10~30 5~10 ~ 5	±0.30 ±0.25 ±0.20 ±0.15	ANGLE	UNIT: mm	SCALE: 1:1	PROJ:
ECN NO.	REV.	DATE.	CHANGE.	CHECK.	APPRO.	DRAWING NO.	SHEET 1 OF 1

—	A	—	NEW	—	—	—
ECN NO.	REV.	DATE.	DESCRIPTION.	CHANGE.	CHECK.	APPRO.

X-ON Electronics

Largest Supplier of Electrical and Electronic Components

Click to view similar products for [USB Connectors](#) category:

Click to view products by [HRO parts manufacturer](#):

Other Similar products are found below :

[950](#) [A-USB A-LP-SMT-C](#) [A-USB B-TOP-C](#) [MUSBD11135](#) [17-200721](#) [217450-1](#) [KMBVX-TH-5S-B30](#) [KUSBX-AS2N-W](#) [KUSBX-SMT2AP1S-W30](#) [935](#) [957](#) [30-498-6](#) [SK-60A-2](#) [1734082-1](#) [30-470](#) [30-489](#) [30-541](#) [MAB 5 S](#) [A-USB A-2P-C](#) [MIKROE-1451](#)
[USBFTVSCCG](#) [1-1734084-2](#) [MUSBA81130](#) [NK-27-32SL](#) [NK-L8-22C-5/8](#) [10135326-001LF](#) [4198](#) [690-024-633-031](#) [UB-20PMFP-LC7001](#)
[17-200011](#) [UB-20AFMM-LL7A01](#) [CAP-WCCMLPB1](#) [CAP-WCCMLPC1](#) [2274475-3](#) [914-614A2025S10200](#) [USB3FTV7SAGF059](#)
[USB3FTV2SAZNF459](#) [USB3FTV7SAZNF459](#) [HYCW153-USBD05-500B](#) [HYCW219-USBD05-075B](#) [HYCW148-USBD05-117B](#)
[HYCW149-USBD05-740B](#) [HYCW204-USBD05-108B](#) [HYCW214-USBA04-113B](#) [HYCW213-USBA04-113B](#) [KMMX-BSMT35S-1-B30TR](#)
[2345986-1](#) [10082141-N340LF](#) [10117836-011LF](#) [GSB3C3133DSYHR](#)