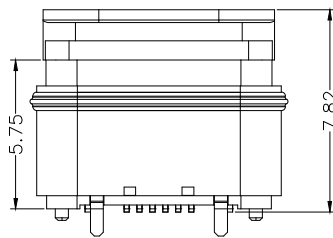
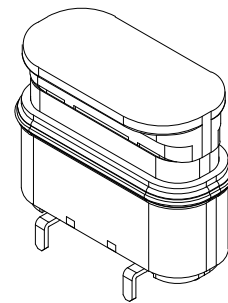
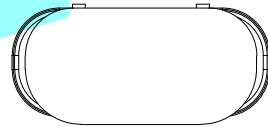
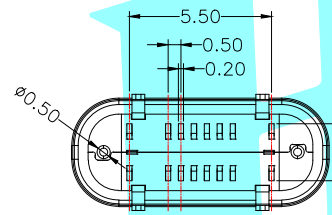
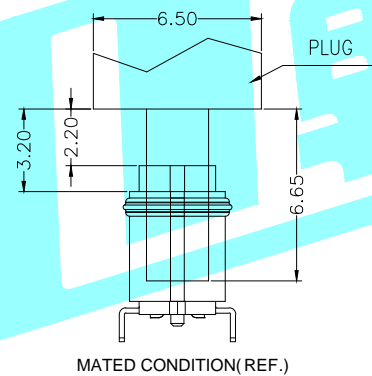
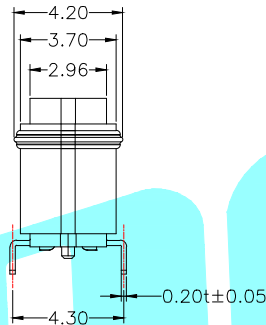
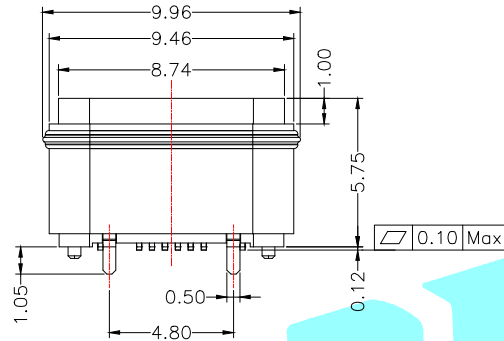


RECOMMEND PCB LAYOUT
TOL=±0.05

- NOTE:
- Electrical Characteristics:
 - Current Rating: 5A For Pin(A4,A9,B4,B9)
 - 1.25A For Pin(B5)
 - 0.25A For Others Pin
 - Insulation Resistance: 100MΩ Min.
 - Contact Resistance: 50 mΩ Max.
 - Dielectric Withstanding Voltage: 100V/AC 1Minute
 - Mechanical Characteristics:
 - Insertion Force: 5~20N
 - Extraction Force: Initial: 8~20N
 - After durability: 6~20N
 - Durability :10000 Cycles
 - Operating Temperature: -30°C TO +85°C
 - WATERPROOF: IP-X6.



A1	GND	B12	GND
A4	VBUS	B9	VBUS
A5	CC1	B8	SBU2
A6	DP1	B7	DN2
A7	DN1	B6	DP2
A8	SBU1	B5	CC2
A9	VBUS	B4	VBUS
A12	GND	B1	GND
PIN	SIGNAL NAME	PIN	SIGNAL NAME

⑦	RING	—	1	SILICON	Wathet
⑥	MID-PLANT	—	1	STAINLESS STEEL	—
⑤	GND-PLANT	—	1	STAINLESS STEEL	Ni/SN Plated
④	SHELL	—	1	STAINLESS STEEL	—
③	INNER SHELL	—	1	STAINLESS STEEL	Ni Plated
②	CONTACT	—	—	COPPER ALLOY	Au Plated
①	HOUSING	—	1	PA46	BLACK
ITEM	PART NAME	TER'NO.	QTY.	MATERIAL	FINISHING

APPROVALS		DATE			
DRAWN	LIUCAN	2021.6.29			
CHECKED				PART NO.	TYPE-C-31-E-13
APPROVALS				UNIT: mm	SCALE: 1:1
TOLERANCES ARE	30~以上	±0.30	ANGLE	DRAWING NO.	PROJ:
	10~30	±0.25			
	5~10	±0.20			
	~ 5	±0.15	±2'	SHEET 1 OF 1	

ECN NO.	REV.	DATE.	NEW DESCRIPTION.	CHANGE.	CHECK.	APPRO.
	A					

X-ON Electronics

Largest Supplier of Electrical and Electronic Components

Click to view similar products for [USB Connectors](#) category:

Click to view products by [HRO parts manufacturer](#):

Other Similar products are found below :

[950](#) [A-USB A-LP-SMT-C](#) [A-USB B-TOP-C](#) [MUSBD11135](#) [17-200721](#) [217450-1](#) [KMBVX-TH-5S-B30](#) [KUSBX-AS2N-W](#) [KUSBX-SMT2AP1S-W30](#) [935](#) [957](#) [30-498-6](#) [SK-60A-2](#) [1734082-1](#) [30-470](#) [30-489](#) [30-541](#) [MAB 5 S](#) [A-USB A-2P-C](#) [MIKROE-1451](#)
[USBFTVSCCG](#) [1-1734084-2](#) [MUSBA81130](#) [NK-27-32SL](#) [NK-L8-22C-5/8](#) [10135326-001LF](#) [4198](#) [690-024-633-031](#) [UB-20PMFP-LC7001](#)
[17-200011](#) [UB-20AFMM-LL7A01](#) [CAP-WCCMLPB1](#) [CAP-WCCMLPC1](#) [2274475-3](#) [914-614A2025S10200](#) [USB3FTV7SAGF059](#)
[USB3FTV2SAZNF459](#) [USB3FTV7SAZNF459](#) [HYCW153-USBD05-500B](#) [HYCW219-USBD05-075B](#) [HYCW148-USBD05-117B](#)
[HYCW149-USBD05-740B](#) [HYCW204-USBD05-108B](#) [HYCW214-USBA04-113B](#) [HYCW213-USBA04-113B](#) [KMMX-BSMT35S-1-B30TR](#)
[2345986-1](#) [10082141-N340LF](#) [10117836-011LF](#) [GSB3C3133DSYHR](#)