

NOTES:

1. MATERIALS:

SHELL: STAINLESS STEEL, T=0.15mm
 SPRING: STAINLESS STEEL, T=0.10mm
 LATCH: STAINLESS STEEL, T=0.40mm
 HOUSING: LCP

2. PLATING:

CONTACT: CONTACT AREA Au PLATED 3u"Min. OR REFER TO THE PART NO. CODE DEFINED. UNDER PLATE 50u"Min. NICKEL OVERALL. 80u" Min. TIN PLATING ON SOLDER TAIL

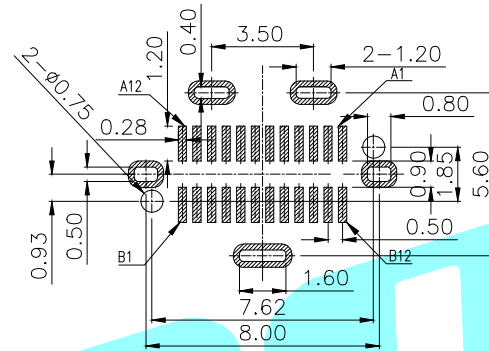
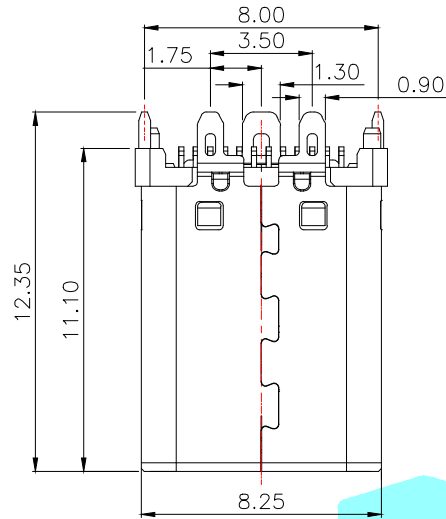
SHELL: 30u"Min. NICKEL PLATING OVERALL

3. ELECTRICAL PERFORMANCE:

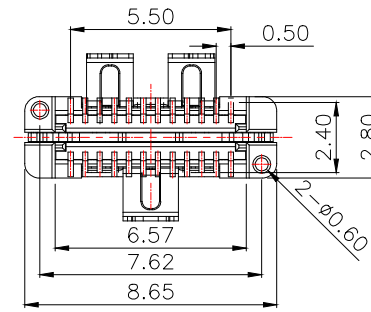
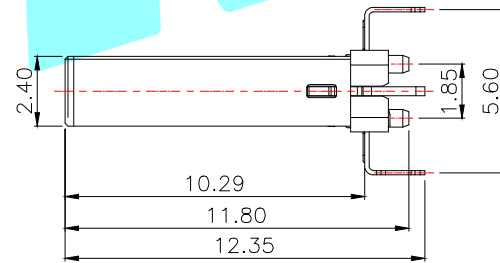
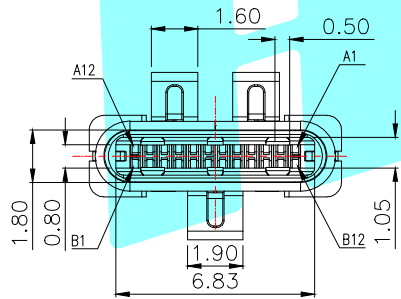
INSULATION RESISTANCE: 100Mohm MIN.
 CONTACT RESISTANCE: 40mohm MAX.
 DIELECTRIC WITHSTANDING: 100 VAC
 CURRENT RATING: 3A MIN.

4. MECHANICAL PERFORMANCE:

MATING FORCE: 5~20N
 UNMATING FORCE: 8~20N
 DURABILITY: 10000 CYCLES



RECOMMENDED P.C.B. LAYOUT
 TOLERANCE UNSPECIFIED ±0.05mm



PIN	SIGNAL NAME	PIN	SIGNAL NAME
A1	GND	B12	GND
A2	SSTXp1	B11	SSRXp1
A3	SSTXn1	B10	SSRXn1
A4	Vbus	B9	Vbus
A5	CC1	B8	SBU2
A6	Dp1	B7	Dn2
A7	Dn1	B6	Dp2
A8	SBU1	B5	CC2
A9	Vbus	B4	Vbus
A10	SSRXn2	B3	SSTXn2
A11	SSRXp2	B2	SSTXp2
A12	GND	B1	GND

APPROVALS		DATE	HRO® ELECTRONICS CO.,LTD					
DRAWN	LIUCAN	2021.9.9	TITLE:	USB CONNECTOR				
CHECKED			PART NO.	TYPE-C-31-G-09				
APPROVALS			UNIT: mm	SCALE: 1:1				
TOLERANCES ARE	30~以上	±0.30	ANGLE	±2'				
	10~30	±0.25						
	5~10	±0.20	DRAWING NO.					
	~ 5	±0.15						
ECN NO.	REV.	DATE.	DESCRIPTION.	CHANGE.	CHECK.	APPRO.	PROJECT SYMBOL	SHEET 1 OF 1

ECN NO.	REV.	DATE.	DESCRIPTION.	CHANGE.	CHECK.	APPRO.
	A		NEW			

X-ON Electronics

Largest Supplier of Electrical and Electronic Components

Click to view similar products for [USB Connectors](#) category:

Click to view products by [HRO parts manufacturer](#):

Other Similar products are found below :

[950](#) [A-USB A-LP-SMT-C](#) [A-USB B-TOP-C](#) [MUSBD11135](#) [17-200721](#) [217450-1](#) [KMBVX-TH-5S-B30](#) [KUSBX-AS2N-W](#) [KUSBX-SMT2AP1S-W30](#) [935](#) [957](#) [30-498-6](#) [SK-60A-2](#) [1734082-1](#) [30-470](#) [30-489](#) [30-541](#) [MAB 5 S](#) [A-USB A-2P-C](#) [MIKROE-1451](#)
[USBFTVSCCG](#) [1-1734084-2](#) [MUSBA81130](#) [NK-27-32SL](#) [NK-L8-22C-5/8](#) [10135326-001LF](#) [4198](#) [690-024-633-031](#) [UB-20PMFP-LC7001](#)
[17-200011](#) [UB-20AFMM-LL7A01](#) [CAP-WCCMLPB1](#) [CAP-WCCMLPC1](#) [2274475-3](#) [914-614A2025S10200](#) [USB3FTV7SAGF059](#)
[USB3FTV2SAZNF459](#) [USB3FTV7SAZNF459](#) [HYCW153-USBD05-500B](#) [HYCW219-USBD05-075B](#) [HYCW148-USBD05-117B](#)
[HYCW149-USBD05-740B](#) [HYCW204-USBD05-108B](#) [HYCW214-USBA04-113B](#) [HYCW213-USBA04-113B](#) [KMMX-BSMT35S-1-B30TR](#)
[2345986-1](#) [10082141-N340LF](#) [10117836-011LF](#) [GSB3C3133DSYHR](#)