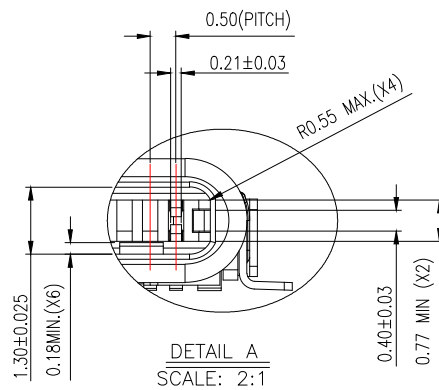
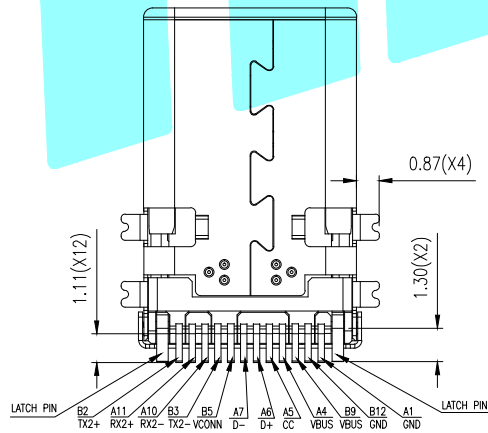
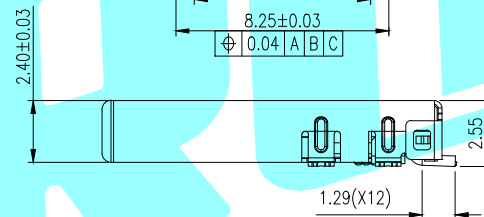
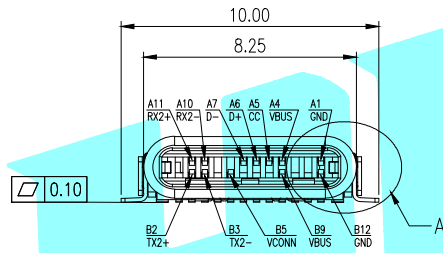
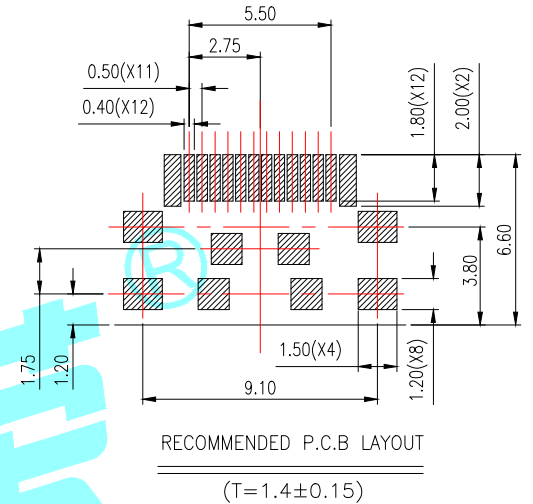
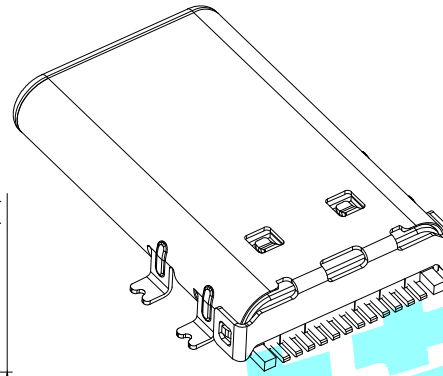
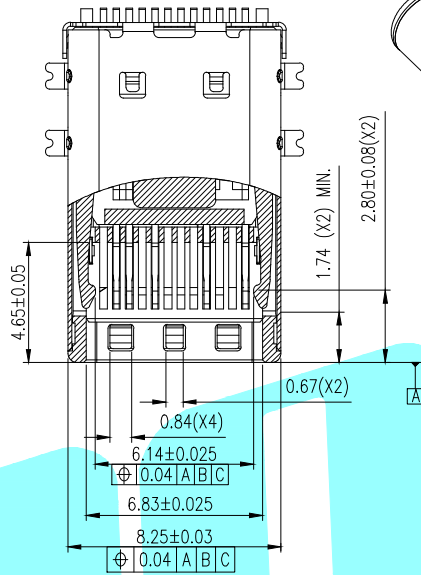
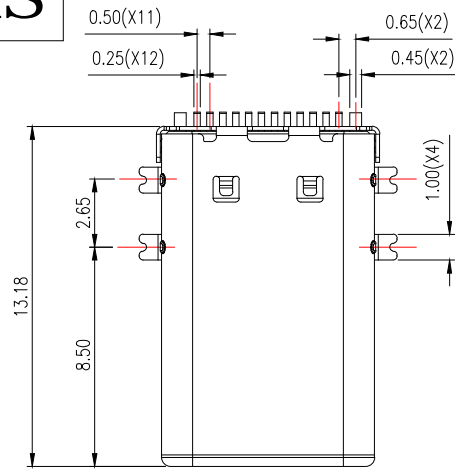


# ROHS



**NOTES:**

**1. MATERIALS:**

- SHELL: STAINLESS STEEL, T=0.15±0.01mm
- SPRING: STAINLESS STEEL, T=0.10±0.01mm
- LATCH: STAINLESS STEEL, T=0.40±0.01mm
- HOUSING: THERMOPLASTIC
- MOLDING1: HIGH-THERMOPLASTIC+ BRONZE, T=0.20±0.01mm
- MOLDING2: HIGH-THERMOPLASTIC+ BRONZE, T=0.20±0.01mm

**2. PLATING:**

- CONTACT: CONTACT AREA Au PLATED 30u"Min. OR REFER TO THE PART NO. CODE DEFINED. UNDER PLATE 80u"Min. NICKEL OVERALL. 120u" Min. TIN PLATING ON SOLDER TAIL
- SHELL: 30u"Min. NICKEL PLATING OVERALL

**3. ELECTRICAL PERFORMANCE:**

- INSULATION RESISTANCE: 100Mohm MIN.
- CONTACT RESISTANCE: 40mohm MAX.
- DIELECTRIC WITHSTANDING: 100 VAC
- CURRENT RATING: 3A MIN.

**4. MECHANICAL PERFORMANCE:**

- MATING FORCE: 5~20N
- UNMATING FORCE: 8~20N
- DURABILITY: 10000 CYCLES

APPROVALS		DATE		 <b>ELECTRONICS CO.,LTD</b>			
DRAWN	LIUCAN	2021.7.24					
CHECKED				PART NO.		TYPE-C-31-G-10	
APPROVALS				UNIT: mm		SCALE: 1:1	PROJ:
TOLERANCES ARE				30~以上 ±0.30	ANGLE	±2'	DRAWING NO.
				10~30 ±0.20			
				5~10 ±0.15			
				~ 5 ±0.10	SHEET 1 OF 1		

ECN NO.	REV.	DATE.	NEW	CHANGE.	CHECK.	APPRO.
DESCRIPTION.						

## X-ON Electronics

Largest Supplier of Electrical and Electronic Components

*Click to view similar products for [USB Connectors](#) category:*

*Click to view products by [HRO parts manufacturer](#):*

Other Similar products are found below :

[950](#) [A-USB A-LP-SMT-C](#) [A-USB B-TOP-C](#) [MUSBD11135](#) [17-200721](#) [217450-1](#) [KMBVX-TH-5S-B30](#) [KUSBX-AS2N-W](#) [KUSBX-SMT2AP1S-W30](#) [935](#) [957](#) [30-498-6](#) [SK-60A-2](#) [1734082-1](#) [30-470](#) [30-489](#) [30-541](#) [MAB 5 S](#) [A-USB A-2P-C](#) [MIKROE-1451](#)  
[USBFTVSCCG](#) [1-1734084-2](#) [MUSBA81130](#) [NK-27-32SL](#) [NK-L8-22C-5/8](#) [10135326-001LF](#) [4198](#) [690-024-633-031](#) [UB-20PMFP-LC7001](#)  
[17-200011](#) [UB-20AFMM-LL7A01](#) [CAP-WCCMLPB1](#) [CAP-WCCMLPC1](#) [2274475-3](#) [914-614A2025S10200](#) [USB3FTV7SAGF059](#)  
[USB3FTV2SAZNF459](#) [USB3FTV7SAZNF459](#) [HYCW153-USBD05-500B](#) [HYCW219-USBD05-075B](#) [HYCW148-USBD05-117B](#)  
[HYCW149-USBD05-740B](#) [HYCW204-USBD05-108B](#) [HYCW214-USBA04-113B](#) [HYCW213-USBA04-113B](#) [KMMX-BSMT35S-1-B30TR](#)  
[2345986-1](#) [10082141-N340LF](#) [10117836-011LF](#) [GSB3C3133DSYHR](#)