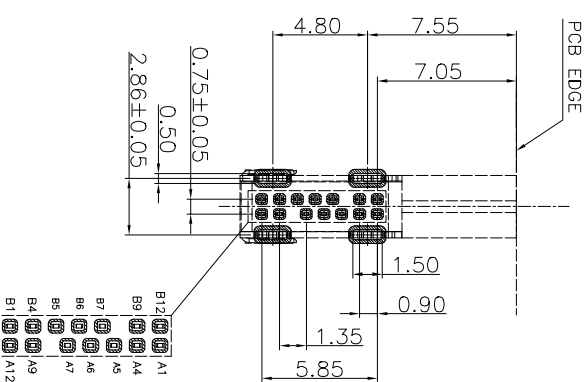
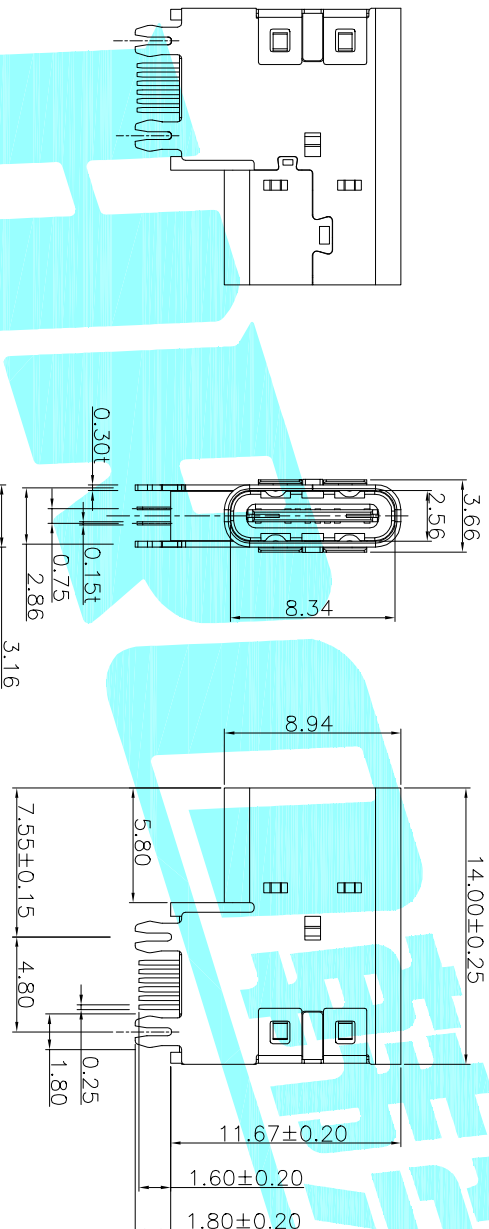
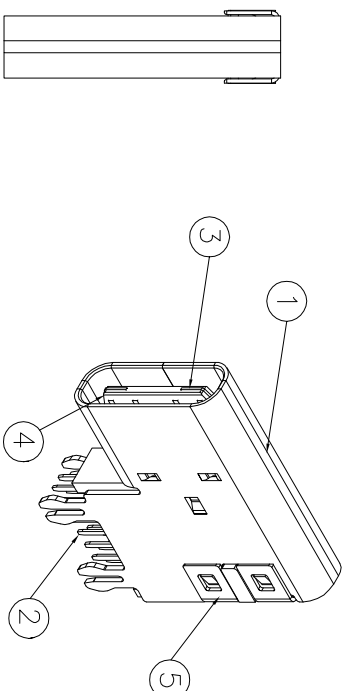


PCB板厚建议1.0~1.2MM



RECOMMENDED P.C.B. LAYOUT
TOLERANCE UNSPECIFIED ±0.05mm

| | | | |
|-----|-------------|-----|-------------|
| A1 | GND | B12 | GND |
| A4 | VBUS | B9 | VBUS |
| A5 | CC1 | B7 | DM2 |
| A6 | DP1 | B6 | DP2 |
| A7 | DN1 | B5 | CC2 |
| A9 | VBUS | B4 | VBUS |
| A12 | GND | B1 | GND |
| PIN | SIGNAL NAME | PIN | SIGNAL NAME |

| | | | | |
|-----|-----------------|--------------------------|-------------|-----|
| 5 | COVER | STAINLESS STEEL | NI Plated | — |
| 4 | TYPE C MD | HIGH TEMPERATURE PLASTIC | BLACK | — |
| 3 | CENTER PIECE | STAINLESS STEEL | NO Plated | — |
| 2 | TYPE C TERMINAL | COPPER ALLOY | Gold Plated | — |
| 1 | SHELL | STAINLESS STEEL | NI Plated | — |
| NO. | DESCRIPTION | MATERIAL | REMARKS | QTY |

| | | | | |
|-----------|-------|-----------|---------------------|--|
| APPROVALS | | DATE | TITLE: | |
| DRAWN | D.JLV | 2018/1/12 | ELECTRONICS CO.,LTD | |
| CHECKED | | | USB CONNECTOR | |

| | | | | | | | | | | | | | | |
|---------|------|-------|--------------|--------|-------|--------|----------------|---------|-------|-------------|----------------|--------|-------|--------|
| ECN NO. | REV. | DATE. | DESCRIPTION. | CHANGT | CHTCK | APPRO. | TOLERANCES ARE | 30~0.1± | ±0.30 | ANGLE | PART NO. | SCALE: | PROJ: | SHEET |
| | A | | NEW | | | | 10~0.30 | ±0.20 | ±2° | UNIT: mm | TYPE-C-31-M-18 | 1:1 | PROJ: | 1 OF 1 |
| | | | | | | | 5~0.10 | ±0.15 | | DRAWING NO. | | | | |
| | | | | | | | ~ 5 | ±0.10 | | | | | | |

X-ON Electronics

Largest Supplier of Electrical and Electronic Components

Click to view similar products for [USB Connectors](#) category:

Click to view products by [HRO parts](#) manufacturer:

Other Similar products are found below :

[10033527-N3112MLF](#) [17-210561](#) [GMCB05B11124H1EU](#) [17-200931](#) [65-647-8-BK-BU](#) [690-010-295-484](#) [73725-1191BLF](#) [950](#) [E8144-B01021-L](#) [A-USB A-LP-SMT-C](#) [A-USB B-TOP-C](#) [MUSBA511N5](#) [MUSBB15131](#) [MUSBC111M5](#) [MUSBD11135](#) [217450-1](#) [CA 6 W LD](#)
[896-30-004-00-000000](#) [KUSBVX-BS1N-W30](#) [KUSBX-AP-KIT-SCBLK](#) [KUSBX-AS2N-W](#) [KUSBX-SMT2AP1S-W](#) [KUSBX-SMTAS1NBTR](#) [KUSBX-SMTBS1NBTR](#) [30-498-6](#) [SK-60A-2](#) [17-200261](#) [17-210051](#) [1734082-1](#) [FK-37-32SL](#) [30-1574](#) [30-470](#) [30-489](#) [30-541](#) [30-572-3](#) [30-9503](#) [M9177/2-1](#) [MAB 5 S](#) [MIKROE-1451](#) [33UBBR-04SW11R](#) [USBFTV2PEM2G](#) [USBFTVC6ZN](#) [USBFTVSCCG](#)
[KUSBX-AS2N-W30](#) [KUSBX-SLAS1N-W](#) [KUSBX-SLAS1N-W30](#) [1-1734084-2](#) [E8110-001-01](#) [MUSBC11135](#) [NK-27-32SL](#)