

规格说明: Specifications:

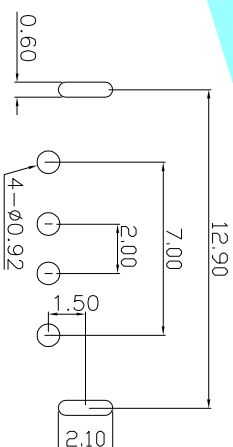
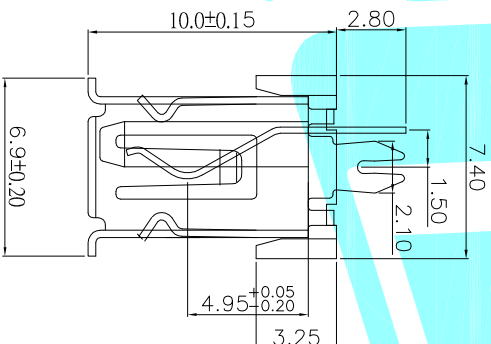
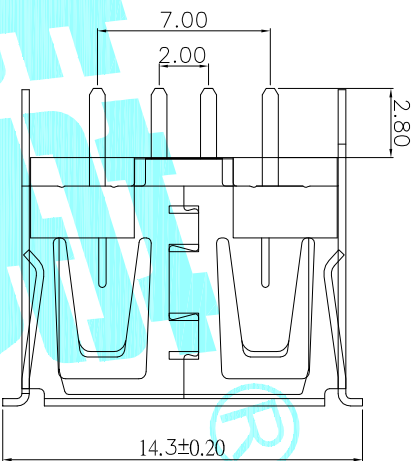
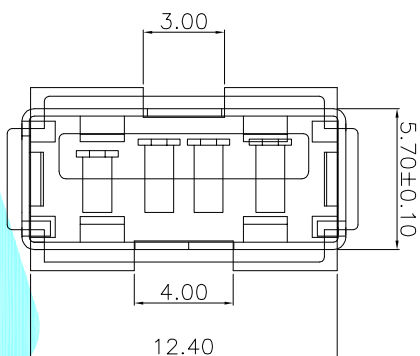
电气特性: Electrical:

1. 额定电流: Current Rating
1.5A/contact terminal
2. 额定电压: Voltage Rating
30V DC
3. 接触阻抗: Contact Resistance
30 milliohms MAX
4. 耐电压: Dielectric Withstanding Voltage:
500 V AC AT Sea Level
5. 绝缘阻抗: Insulation Resistance:
1000MEGA ohms MIN

物理性能: Mechanical:

1. 插拔力: Connector Mate and Unmate Force
Mate force: 3.57kgf(MAX)
Unmate force: 1.02kgf(MIN)
 2. 端子保持力: Terminal Retention
1.0kgf(MIN)
- 原材料: Material:
1. 塑胶: Housing: Hing Temperature Thermoplastics,
 2. 端子: Contact: Copper Alloy C2680
 3. 外壳: Shell: Copper Alloy C2680/SPCC
- 电镀: Finish:
1. 端子: Contact: Plated Gold in Mating Area;
Tin On Solder Tails
 2. 外壳: Shell: 端子四周镀50U”(MIN)镍, 镀金区域镀100—200U”镀金1U”
镍壳四周镀80U”(MIN)镍

Nickel Plating



Recommended PCB Layout

| | | | | | | |
|------|-----------|---------|------|-----------------|-----------|--------|
| ③ | Base | — | 1 | NYLON | | |
| ② | Terminal | — | 4 | Phosphor Bronze | Ag Plated | |
| ① | Housing | — | 1 | SPCC | Sn Plated | |
| ITEM | PART NAME | TER'NO. | QTY. | MATERIAL | FINISHING | REMARK |

| | | | | | |
|-----------|------------|----------|---------------------|--|--|
| APPROVALS | | DATE | ELECTRONICS CO.,LTD | | |
| DRAWN | xu qi feng | 2018/8/1 | | | |

| | | | | | |
|----------------|--|-------------|-------|---------------|--------------|
| CHECKED | | TITLE: | | USB CONNECTOR | |
| APPROVALS | | PART NO. | | U-A-24DD-Y-6 | |
| TOLERANCES ARE | | 30~以上 ±0.30 | ANGLE | UNIT: mm | SCALE: 1:1 |
| | | 10~30 ±0.25 | | | |
| | | 5~10 ±0.20 | ±2' | DRAWING NO. | PROJ: ① |
| | | ~5 ±0.15 | | | SHEET 1 OF 1 |

| | | | | | | |
|---------|------|-------|--------------|---------|--------|--------|
| ECN NO. | REV. | DATE. | DESCRIPTION. | CHANGE. | CHECK. | APPRO. |
| | A | | NEW | | | |

X-ON Electronics

Largest Supplier of Electrical and Electronic Components

Click to view similar products for [USB Connectors](#) category:

Click to view products by [HRO parts manufacturer](#):

Other Similar products are found below :

[10033527-N3112MLF](#) [17-210561](#) [GMCB05B11124H1EU](#) [17-200931](#) [65-647-8-BK-BU](#) [690-010-295-484](#) [73725-1191BLF](#) [950](#) [E8144-B01021-L](#) [A-USB A-LP-SMT-C](#) [A-USB B-TOP-C](#) [MUSBA511N5](#) [MUSBB15131](#) [MUSBC111M5](#) [MUSBD11135](#) [217450-1](#) [CA 6 W LD](#)
[896-30-004-00-000000](#) [KUSBVX-BS1N-W30](#) [KUSBX-AP-KIT-SCBLK](#) [KUSBX-AS2N-W](#) [KUSBX-SMT2AP1S-W](#) [KUSBX-SMTAS1NBTR](#) [KUSBX-SMTBS1NBTR](#) [30-498-6](#) [SK-60A-2](#) [17-200261](#) [17-210051](#) [1734082-1](#) [FK-37-32SL](#) [30-1574](#) [30-470](#) [30-489](#) [30-541](#) [30-572-3](#) [30-9503](#) [M9177/2-1](#) [MAB 5 S](#) [MIKROE-1451](#) [33UBBR-04SW11R](#) [USBFTV2PEM2G](#) [USBFTVC6ZN](#) [USBFTVSCCG](#)
[KUSBX-AS2N-W30](#) [KUSBX-SLAS1N-W](#) [KUSBX-SLAS1N-W30](#) [1-1734084-2](#) [E8110-001-01](#) [MUSBC11135](#) [NK-27-32SL](#)