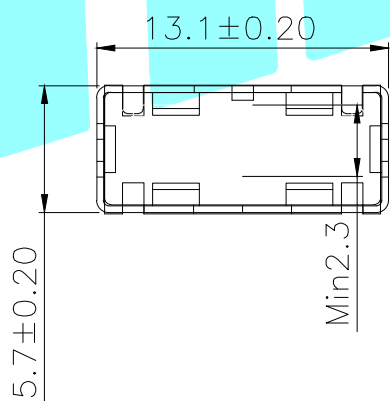
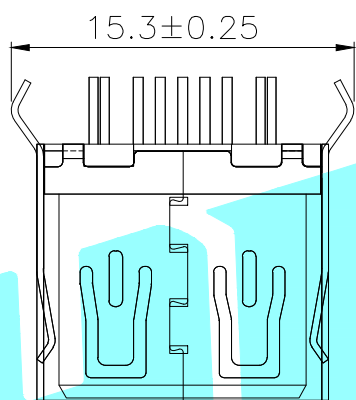
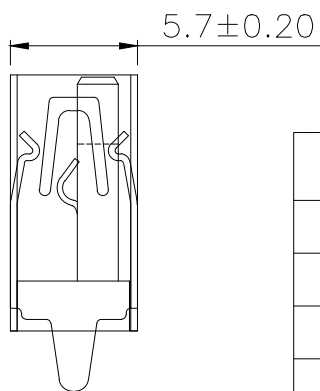
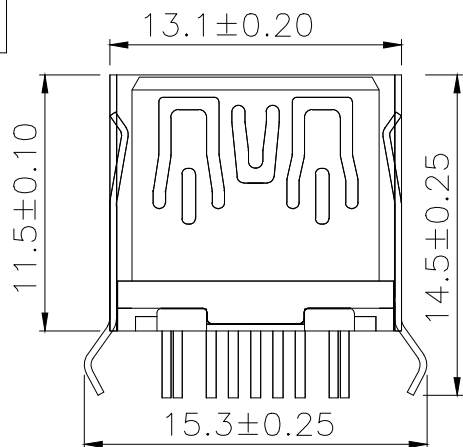


ROHS



| PIN NU_BER | SIGNAL NAME |
|------------|-------------|
| 1          | USB电压       |
| 2          | D-(负极)      |
| 3          | D+(正极)      |
| 4          | 地线          |
| 5          | SSRX-       |
| 6          | SSRX+       |
| 7          | GND(地线)     |
| 8          | SSRX-       |
| 9          | SSRX+       |
| shell      | SHIELD      |

规格说明 Specifications:

电气特性 Electrical:

1. 额定电流 Current Rating: 1.5A/contact terminal 接触端子
2. 额定电压 Voltage Rating: 30V DC
3. 接触阻抗 Contact Resistance: 30 milliohms MAX
4. 耐压 Dielectric Withstanding Voltage: 500 V AC AT Sea Level
5. 绝缘阻抗 Insulation Resistance: 1000MEGA ohms MIN

物理性能 Mechanical:

1. 插拔力 Connector Mate and Unmate Force: Mate force: 3.57kgf (MAX) Unmate force: 1.02kgf (MIN)
2. 端子保持力 Terminal Retention: 1.0kgf (MIN)

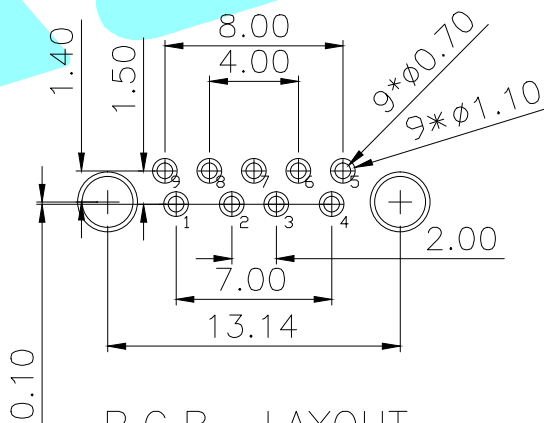
原材料 Material:

1. 塑胶 Housing: Hing Temperature Thermoplastics,
2. 端子 Contact: H65黄铜 Copper Alloy C2680
3. 外壳 Shell: H65黄铜 Copper Alloy C2680/SPCC

电镀 Finish:

1. 端子 Contact: Plated Gold in Mating Area; Tin On Solder Talls  
端子四周镀锡 30-50U" (MIN), 镀金区域镀金 1U"
2. 外壳: Shell: 铁壳四周镀 80U" (MIN) 镍

Nickel Plating



P.C.B LAYOUT  
TOL: ±0.05

| APPROVALS      |             | DATE        | HRO 韩睿®<br>ELECTRONICS CO., LTD |               |              |
|----------------|-------------|-------------|---------------------------------|---------------|--------------|
| DRAWN          | LIUCAN      | 2020.11.30  | TITLE:                          | USB CONNECTOR |              |
| CHECKED        |             |             | PART NO.                        | U-A-39DD-W-3  |              |
| APPROVALS      |             |             | UNIT: mm                        | SCALE: 1:1    | Proj:        |
| TOLERANCES ARE | 30~以上 ±0.30 | 10~30 ±0.25 | ANGLE                           | UNIT: mm      | SCALE: 1:1   |
|                | 5~10 ±0.20  | ~ 5 ±0.15   | ±2'                             | DRAWING NO.   | SHEET 1 OF 1 |

| ECN NO. | REV. | DATE. | DESCRIPTION. | CHANGE. | CHECK. | APPRO. |
|---------|------|-------|--------------|---------|--------|--------|
|         | A    |       | NEW          |         |        |        |

## X-ON Electronics

Largest Supplier of Electrical and Electronic Components

*Click to view similar products for [USB Connectors](#) category:*

*Click to view products by [HRO parts manufacturer](#):*

Other Similar products are found below :

[950](#) [MUSBD11135](#) [17-200721](#) [217450-1](#) [KMBVX-TH-5S-B30](#) [KUSBX-AS2N-W](#) [KUSBX-SMT2AP1S-W30](#) [935](#) [957](#) [30-498-6](#) [SK-60A-2](#)  
[1734082-1](#) [30-470](#) [30-489](#) [30-541](#) [A-USB A-2P-C](#) [MIKROE-1451](#) [USBFTVSCCG](#) [1-1734084-2](#) [10135326-001LF](#) [4198](#) [USB-A-D-VT](#)  
[USB-A-S-RA-TSMT](#) [1310-1023-02](#) [690-024-633-031](#) [UB-20PMFP-LC7001](#) [17-200011](#) [UB-20AFMM-LL7A01](#) [1040870124](#) [CAP-](#)  
[WCCMLPB1](#) [CAP-WCCMLPC1](#) [2274475-3](#) [UB-20BMFA-SL8001](#) [914-614A2025S10200](#) [USB3FTV7SAGF059](#) [ZX40-B-5S-1500-](#)  
[STDA\(30\)](#) [GSB3116344HR](#) [USB3FTV2SAZNF459](#) [USB3FTV7SAZNF459](#) [U221-041N-1WVS62-F5D](#) [HYCW153-USBD05-500B](#)  
[HYCW219-USBD05-075B](#) [HYCW148-USBD05-117B](#) [HYCW149-USBD05-740B](#) [HYCW204-USBD05-108B](#) [HYCW214-USBA04-113B](#)  
[HYCW213-USBA04-113B](#) [UB-20AMFM-SL7A01](#) [KMMX-BSMT35S-1-B30TR](#) [2345986-1](#)