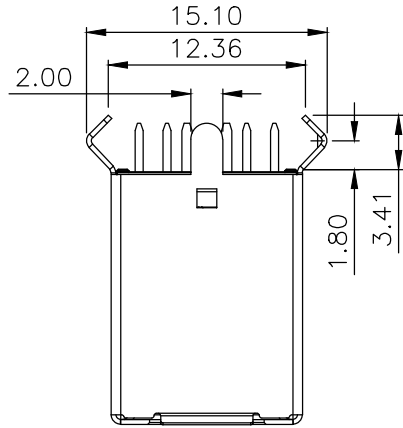
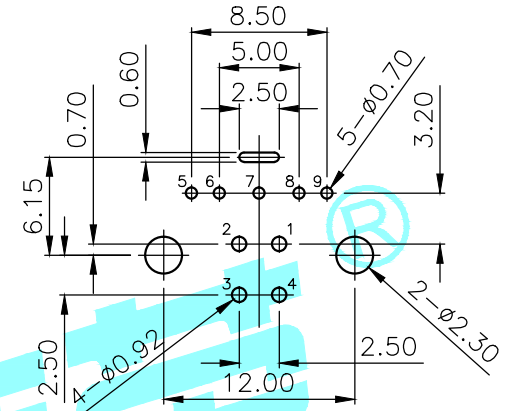


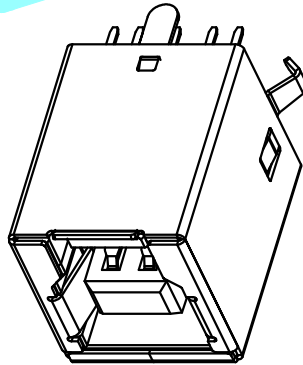
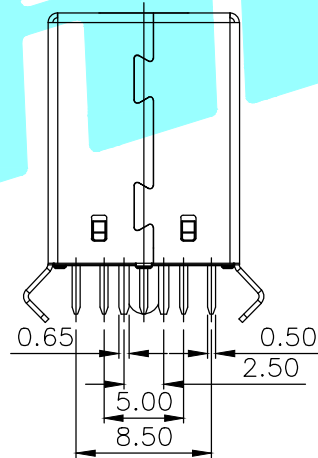
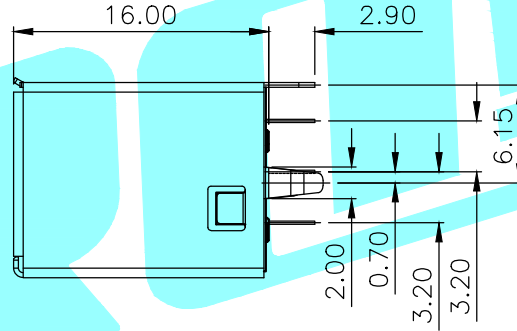
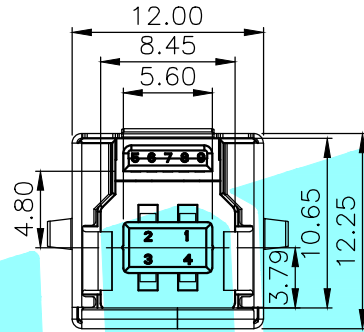
ROHS



Pin NUMBER	SIGNAL NAME
1	VBUS
2	D-
3	D+
4	GND
5	StdB_SSTX-
6	StdB_SSTX+
7	GND_DRAIN
8	StdB_SSRX-
9	StdB_SSRX+
Shell	Shield



RECOMMEND P.C.B LAYOUT COMPONENT SIDE
 DEFAUET TOLERANCES:±0.05 (PCB T=1.6mm)



NOTES:

1.MATERIAL:

- 1.1 HOUSING: HIGH TEMPERATURE THERAL PLASTIC.
- 1.2 COVER:HIGH TEMPERATURE THERAL PLASTIC.
- 1.3 SPRING CONTACT: COPPER ALLOY.
- 1.4 FLAT CONTACT;COPPER ALLOY
- 1.5 SHELL :COPPER ALLOY.

2.FINISH:

- 2.1 CONTACT: (SEE P/N.),[50μ"] MIN. NICKEL UNDERPLATING OVER ALL.
- 2.2 SHELL: [50μ"] MIN.SOLDERABLITY NICKEL UNDERPLATING OVER ALL.

APPROVALS		DATE	HRO 韓泰 ELECTRONICS CO.,LTD					
DRAWN	LIUCAN	2021.2.26	TITLE:	USB CONNECTOR				
CHECKED			PART NO.	U-B-M9DD-W-2				
APPROVALS			TOLERANCES ARE	ANGLE	UNIT: mm			
			30~以上 ±0.30	±2°	SCALE: 1:1			
			10~30 ±0.25					
			5~10 ±0.20					
			~ 5 ±0.15					
ECN NO.	REV.	DATE.	DESCRIPTION.	CHANGE.	CHECK.	APPRO.	DRAWING NO.	SHEET 1 OF 1

ECN NO.	REV.	DATE.	DESCRIPTION.	CHANGE.	CHECK.	APPRO.
	A		NEW			

X-ON Electronics

Largest Supplier of Electrical and Electronic Components

Click to view similar products for [USB Connectors](#) category:

Click to view products by [HRO parts manufacturer](#):

Other Similar products are found below :

[950](#) [A-USB A-LP-SMT-C](#) [A-USB B-TOP-C](#) [MUSBD11135](#) [17-200721](#) [217450-1](#) [KMBVX-TH-5S-B30](#) [KUSBX-AS2N-W](#) [KUSBX-SMT2AP1S-W30](#) [935](#) [957](#) [30-498-6](#) [SK-60A-2](#) [1734082-1](#) [30-470](#) [30-489](#) [30-541](#) [MAB 5 S](#) [A-USB A-2P-C](#) [MIKROE-1451](#)
[USBFTVSCCG](#) [1-1734084-2](#) [MUSBA81130](#) [NK-27-32SL](#) [NK-L8-22C-5/8](#) [10135326-001LF](#) [4198](#) [690-024-633-031](#) [UB-20PMFP-LC7001](#)
[17-200011](#) [UB-20AFMM-LL7A01](#) [CAP-WCCMLPB1](#) [CAP-WCCMLPC1](#) [2274475-3](#) [914-614A2025S10200](#) [USB3FTV7SAGF059](#)
[USB3FTV2SAZNF459](#) [USB3FTV7SAZNF459](#) [HYCW153-USBD05-500B](#) [HYCW219-USBD05-075B](#) [HYCW148-USBD05-117B](#)
[HYCW149-USBD05-740B](#) [HYCW204-USBD05-108B](#) [HYCW214-USBA04-113B](#) [HYCW213-USBA04-113B](#) [KMMX-BSMT35S-1-B30TR](#)
[2345986-1](#) [10082141-N340LF](#) [10117836-011LF](#) [GSB3C3133DSYHR](#)