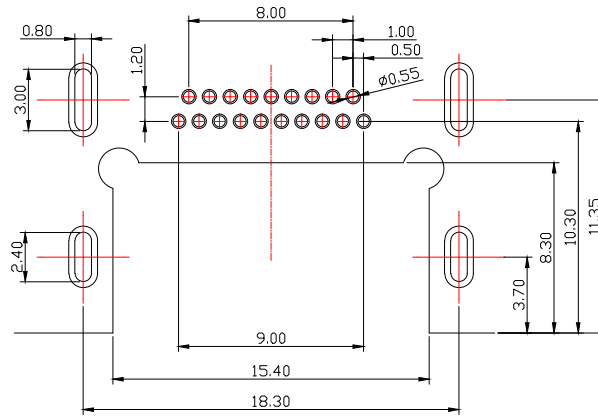
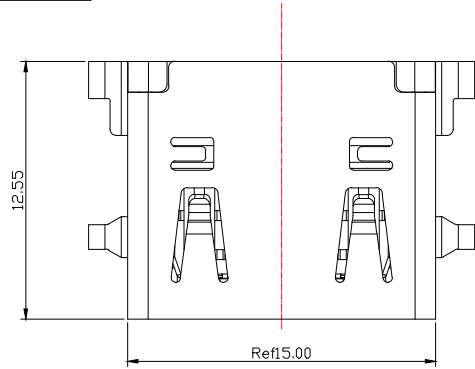
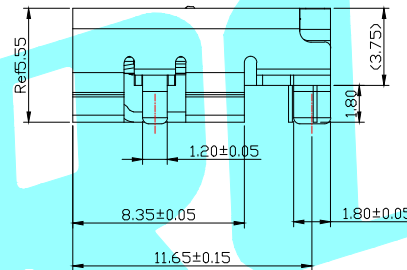
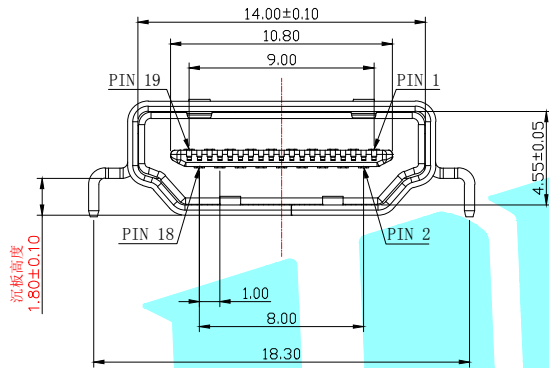


ROHS



| Type A pin | Signal Name |
|------------|-------------------|
| 1 | TMDS Data2+ |
| 2 | TMDS Data2 Shield |
| 3 | TMDS Data2- |
| 4 | TMDS Data1+ |
| 5 | TMDS Data1 Shield |
| 6 | TMDS Data1- |
| 7 | TMDS Data0+ |
| 8 | TMDS Data0 Shield |
| 9 | TMDS Data0- |
| 10 | TMDS Clock+ |
| 11 | TMDS Clock Shield |
| 12 | TMDS Clock- |
| 13 | CEC |
| 14 | Utility |
| 15 | SCL |
| 16 | SDA |
| 17 | DDC/CEC Ground |
| 18 | +5V Power |
| 19 | Hot Plug Detect |

RECOMMEND P.C.B LAYOUT (COMPONENT SIDE)
TOLERANCE FOR PCB LAYOUT IS ± 0.05



NOTES:

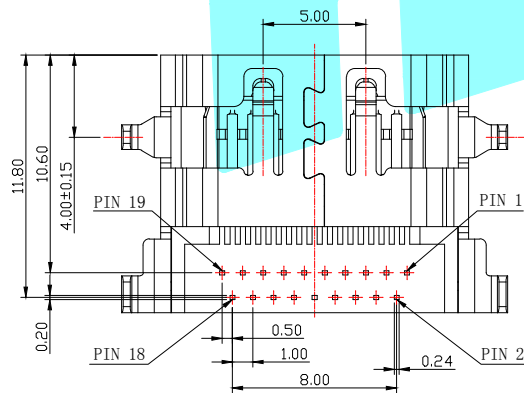
1. MATERIAL:

HOUSING: Thermoplastic (UL94V-0); BLACK
CONTACT: Copper alloy, Gold plated on contact area.
SHELL: Copper alloy, Nickel plated overall.

2. Rating:

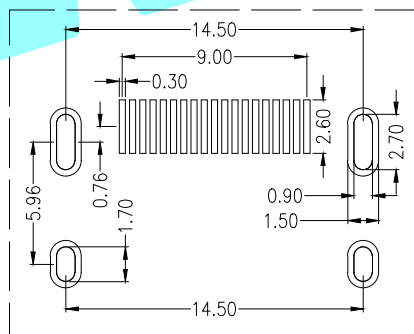
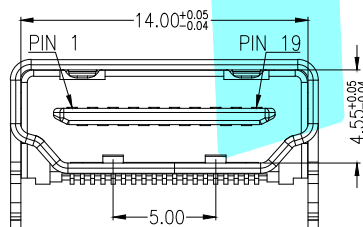
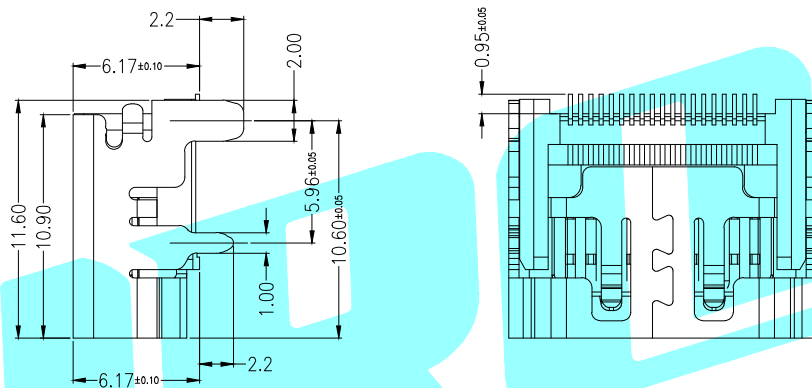
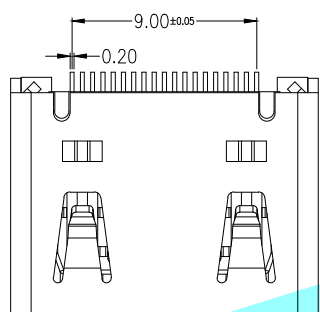
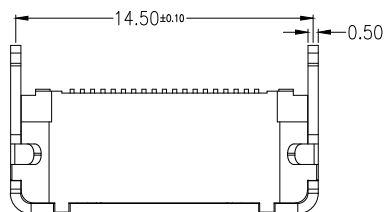
Insulation Resistance (EIA-364-21) : 100 MΩ MIN.
AT 500V/DC FOR 1 MINUTE.

Contact resistance (EIA-364-06) 30 mΩ MAX.
Dielectric withstanding (EIA-364-20) NO DISCHARGE,
FLASHOVER OR BREAKDOWN
AT 500 V/AC 1MINUTE.



| APPROVALS | | DATE | | | | |
|----------------|--------|-----------|-------|-------------|--------------|--------------|
| DRAWN | LIUCAN | 2021.6.17 | | | | |
| CHECKED | | | | PART NO. | U-C-19DD-W-1 | |
| APPROVALS | | | | UNIT: mm | SCALE: 1:1 | PROJ: |
| TOLERANCES ARE | 30~以上 | ±0.30 | ANGLE | DRAWING NO. | | SHEET 1 OF 1 |
| | 10~30 | ±0.25 | | | | |
| | 5~10 | ±0.20 | | | | |
| | ~ 5 | ±0.15 | | | | |

| ECN NO. | REV. | DATE. | DESCRIPTION. | CHANGE. | CHECK. | APPRO. |
|---------|------|-------|--------------|---------|--------|--------|
| | A | | NEW | | | |



RECOMMENDED P.C.B HOLE LAYOUT
COMPONENT SIDE VIEW(TOLERANCE: +/-0.05)

| Type A pin | Signal Name |
|------------|-------------------|
| 1 | TMDS Data2+ |
| 2 | TMDS Data2 Shield |
| 3 | TMDS Data2- |
| 4 | TMDS Data1+ |
| 5 | TMDS Data1 Shield |
| 6 | TMDS Data1- |
| 7 | TMDS Data0+ |
| 8 | TMDS Data0 Shield |
| 9 | TMDS Data0- |
| 10 | TMDS Clock+ |
| 11 | TMDS Clock Shield |
| 12 | TMDS Clock- |
| 13 | CEC |
| 14 | Utility |
| 15 | SCL |
| 16 | SDA |
| 17 | DDC/CEC Ground |
| 18 | +5V Power |
| 19 | Hot Plug Detect |

NOTES:

1.MATERIAL:



HOUSING:LCP,UL94V-0; COLOR; BLACK
CONTACT: C2680
SHELL: SPCC

2.PLATING:

2.1 CONTACT: GOLD PLATING ON CONTACT AREA AND
MATTE TIN 100u"Min ON
SOLDER AREA
OVER 50u" NICKEL UNDERPLATING
2.2 SHELL: 50u" NICKEL PLATING OVER ALL

3.Rating:

Insulation Resistance (EIA-364-21) :100 MΩ MIN.
AT 500V/DC FOR 1 MINUTE.
Contact resistance (EIA-364-06) 30 mΩ MAX.
Dielectric withstanding (EIA-364-20) NO DISCHARGE,
FLASHOVER OR BREAKDOWN
AT 500 V/AC 1MINUTE.

| APPROVALS | | DATE | |  ELECTRONICS CO.,LTD | | |
|----------------|--------|-----------|-------|--|--------------|---|
| DRAWN | LIUCAN | 2021.4.15 | | | | |
| CHECKED | | | | PART NO. | U-F-19DD-W-1 | |
| APPROVALS | | | | UNIT: mm | SCALE: 1:1 | PROJ:  |
| TOLERANCES ARE | | 30~以上 | ±0.30 | ANGLE | DRAWING NO. | SHEET 1 OF 1 |
| | | 10~30 | ±0.25 | | | |
| | | 5~10 | ±0.20 | | | |
| | | ~ 5 | ±0.15 | | | |

| ECN NO. | REV. | DATE. | DESCRIPTION. | CHANGE. | CHECK. | APPRO. |
|---------|------|-------|--------------|---------|--------|--------|
| | A | | NEW | | | |

X-ON Electronics

Largest Supplier of Electrical and Electronic Components

Click to view similar products for [D-Sub Standard Connectors](#) category:

Click to view products by [HRO parts](#) manufacturer:

Other Similar products are found below :

[015-0339-000](#) [015-0341-000](#) [015-0349-000](#) [015-0350-000](#) [015-8544-011](#) [015-8755-001](#) [017041-0005](#) [020419-0104](#) [609-25P](#) [609-9P](#) [CT0-24-10SC](#) [CT0-36-3PC](#) [CT0E20-8PS](#) [CT0F16S-1PS](#) [CT0TA16-11SXCA232](#) [CT1E20-19SS](#) [CT2-10SL-3SC](#) [CT2-14S-2PCA34](#) [CT2-18-11PCAU](#) [CT2-22-19SC](#) [CT2-36-5PC](#) [CT6-10SL-3SC](#) [CT6-10SL-4SC](#) [CT6-14S-2SC](#) [CT6-16-12SC](#) [CT6-18-10PSA206](#) [CT6-18-10PSA232](#) [CT6-18-11PXSA206](#) [CT6-18-11PXSA232](#) [CT6-22-10PS](#) [CT6-24-5PC](#) [CT6-9767-18-8-18-4SS](#) [CT6E14S-5SC](#) [CT6E14SA7SC](#) [CT6E20-14SS](#) [CT6E22-14PC](#) [CT6E22-14PS](#) [CT6E22-19PS](#) [CT6E22-22PS](#) [CT6E24-10SC](#) [CT6F16S-1SC](#) [CT6FA10SL-4PS](#) [CT6LA20-19PC](#) [CT6M20-19SS](#) [CT6NSB4-20-8SS](#) [CT6TC14S-6SCAU](#) [CT6TC14S-7PS](#) [6STD15SCT99S40X](#) [6STF09PCM05B70X](#) [D20420-80](#)