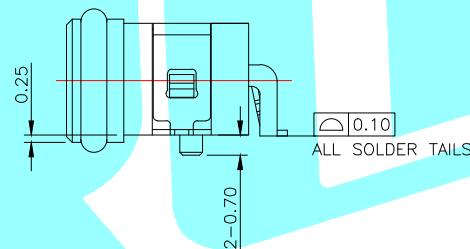
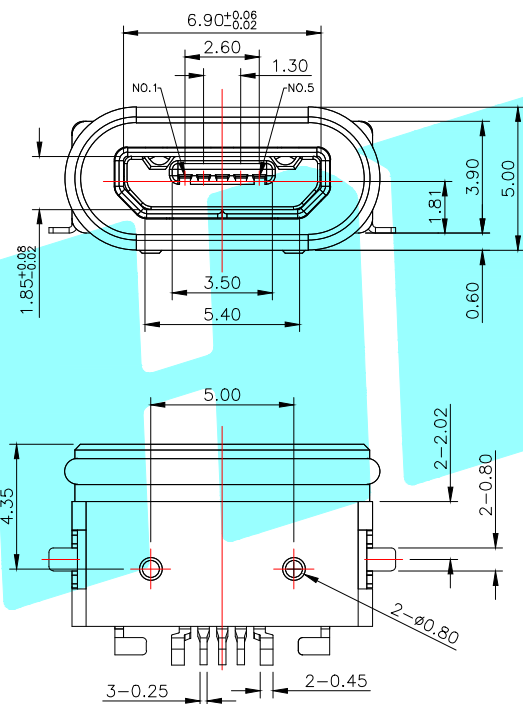


RECOMMENDED P.C.B. LAYOUT (TOP VIEW)  
GENERAL TOLERANCE: ±0.05



### SPECIFICATIONS:

1. ELECTRICAL CHARACTERISTICS:
  - 1.1. RATING: 3A(PIN1&5),0.5A(PIN2&3&4);
  - 1.2. CONTACT RESISTANCE: 30 mΩ MAX.(INITIAL);
  - 1.3. DIELECTRIC WITHSTANDING: 500V AC MIN.;
  - 1.4. INSULATION RESISTANCE: 1000Ω MIN.;
2. DURABILITY: 10,000 CYCLES MIN.;
3. INSERTION FORCE: 3.5Kgf (35N) Max.;
4. EXTRACTION FORCE: 0.8Kgf (8N) Min.;
5. WATER PROOFNESS: THIS PRODUCT IS BASED ON IPX8.
6. PLUG INTERFACE DIMENSIONS COMFORM TO USB2.0 SPEC.

Contact Number	Signal Name	Remarks
1#	VBUS	Power
2#	D-	Date-
3#	D+	Date+
4#	ID	Reserve or Gound
5#	GND	Gound

ITEM	PART NAME	TER'NO.	QTY.	MATERIAL	FINISHING	REMARK
④	Oval ring	—	1	Rubber	Black	—
③	Shell	—	1	SUS	Ni Plated	—
②	Terminal	—	5	Copper Alloy	Au Plated	—
①	Housing	—	1	HTP	Black	—

APPROVALS		DATE				
DRAWN	LIUCAN	2021.6.10				
CHECKED				TITLE: USB CONNECTOR		
APPROVALS				PART NO. U-E-M5SS-W-2		
TOLERANCES ARE		ANGLE		UNIT: mm SCALE: 1:1 PROJ:		
30~以上 ±0.30		±2'		DRAWING NO. SHEET 1 OF 1		
10~30 ±0.25						
5~10 ±0.20						
~ 5 ±0.15						

ECN NO.	REV.	DATE.	DESCRIPTION.	CHANGE.	CHECK.	APPRO.
—	A	—	NEW	—	—	—

## X-ON Electronics

Largest Supplier of Electrical and Electronic Components

*Click to view similar products for [USB Connectors](#) category:*

*Click to view products by [HRO parts manufacturer](#):*

Other Similar products are found below :

[950](#) [MUSBD11135](#) [17-200721](#) [217450-1](#) [KMBVX-TH-5S-B30](#) [KUSBX-AS2N-W](#) [KUSBX-SMT2AP1S-W30](#) [935](#) [957](#) [30-498-6](#) [SK-60A-2](#)  
[1734082-1](#) [30-470](#) [30-489](#) [30-541](#) [A-USB A-2P-C](#) [MIKROE-1451](#) [USBFTVSCCG](#) [1-1734084-2](#) [10135326-001LF](#) [4198](#) [USB-A-D-VT](#)  
[USB-A-S-RA-TSMT](#) [1310-1023-02](#) [690-024-633-031](#) [UB-20PMFP-LC7001](#) [17-200011](#) [UB-20AFMM-LL7A01](#) [1040870124](#) [CAP-](#)  
[WCCMLPB1](#) [CAP-WCCMLPC1](#) [2274475-3](#) [UB-20BMFA-SL8001](#) [914-614A2025S10200](#) [USB3FTV7SAGF059](#) [ZX40-B-5S-1500-](#)  
[STDA\(30\)](#) [GSB3116344HR](#) [USB3FTV2SAZNF459](#) [USB3FTV7SAZNF459](#) [U221-041N-1WVS62-F5D](#) [HYCW153-USBD05-500B](#)  
[HYCW219-USBD05-075B](#) [HYCW148-USBD05-117B](#) [HYCW149-USBD05-740B](#) [HYCW204-USBD05-108B](#) [HYCW214-USBA04-113B](#)  
[HYCW213-USBA04-113B](#) [UB-20AMFM-SL7A01](#) [KMMX-BSMT35S-1-B30TR](#) [2345986-1](#)