

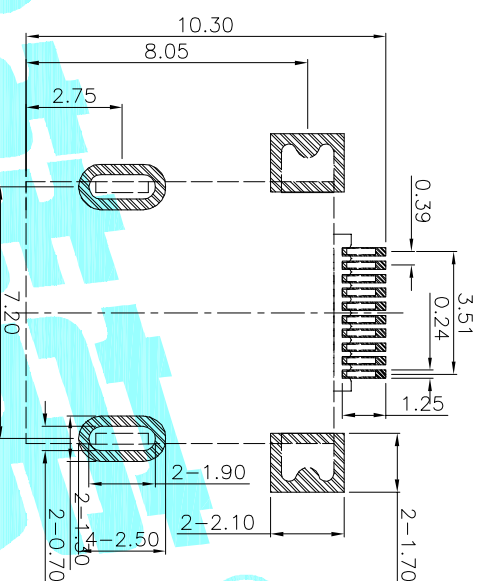
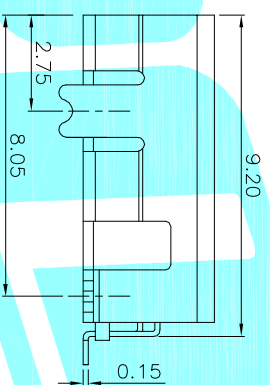
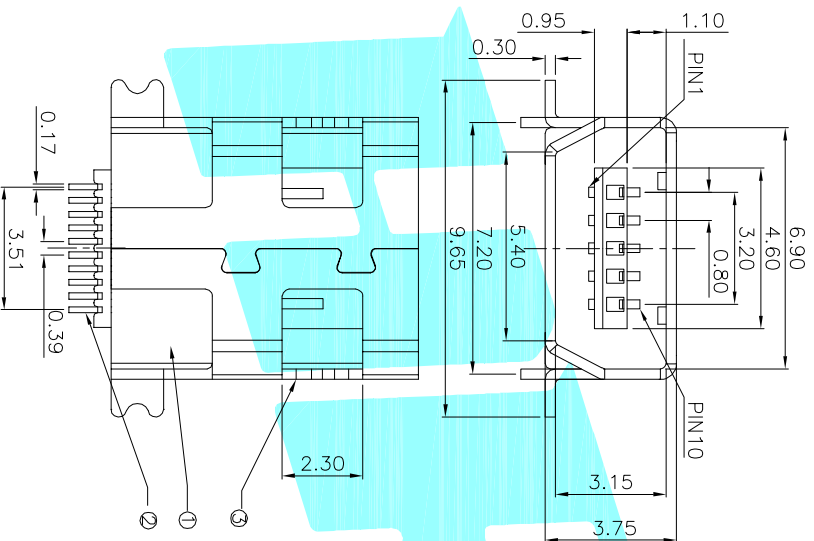
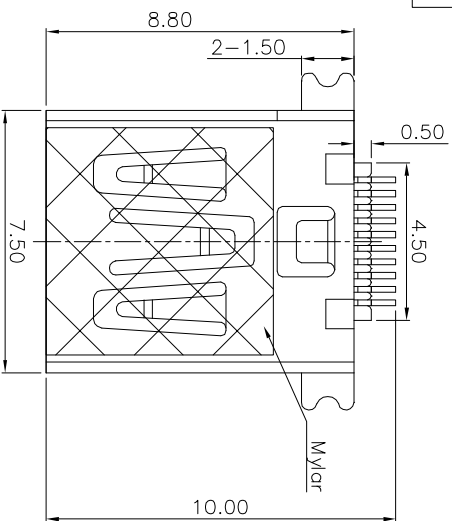
**SPECIFICATIONS**

- 1.RATING: DC30V 1.0A
- 2.MECHANICAL LIFE: 10,000 CYCLES.
- 3.PACKAGING: 1000PCS/REEL

ITEM	PART NAME	TER'NO.	QTY.	MATERIAL	FINISHING	REMARK
④	Dust-Proof	---	1	MYLAR	---	---
③	Shell	---	1	Phosphor Bronze	Sn Plated	---
②	Contact	---	10	Phosphor Bronze	Au Plated	---
①	Housing	---	1	LCP	Black	---

APPROVALS		DATE	TITLE:	
DRAWN	JKUN,LU	2014/6/17	ELECTRONICS CO.,LTD	
CHECKED			USB CONNECTOR	
APPROVALS			PART NO.	U-M-10SS-W-1

ECN NO.	REV.	DATE.	DESCRIPTION.	CHANGE.	CHECK.	APPRO.	TOLERANCES ARE	ANGLE	UNIT:	SCALE:	PROJ:	SHEET
	A		NEW				30~12.5 ±	±0.30	mm	1:1	PROJ:	1 OF 1
							10~30 ±	±0.25				
							5~10 ±	±0.20				
							~5 ±	±0.15				



**SPECIFICATIONS**

- 1.RATING: DC30V 1.0A
- 2.MECHANICAL LIFE: 10,000 CYCLES.
- 3.PACKAGING: 1000PCS/REEL

ITEM	PART NAME	TER'NO.	QTY.	MATERIAL	FINISHING	REMARK
④	Dust-Proof	---	1	MYLAR	---	---
③	Shell	---	1	Phosphor Bronze	Sn Plated	---
②	Contact	---	10	Phosphor Bronze	Ag Plated	---
①	Housing	---	1	LCP	Black	---

APPROVALS		DATE	TITLE:	
DRAWN	JKUNLU	2014/6/17	USB CONNECTOR	
CHECKED			ELECTRONICS CO.,LTD	

ECN NO.	REV.	DATE.	DESCRIPTION.	CHANGE.	CHECK.	APPRO.	TOLERANCES ARE	ANGLE	UNIT:	SCALE:	PROJ:	SHEET
	A		NEW				30~0.12±	±0.30	mm	1:1	U-M-10DS-W-1	1 OF 1
							10~0.30	±0.25				
							5~10	±0.20				
							~5	±0.15				

## X-ON Electronics

Largest Supplier of Electrical and Electronic Components

*Click to view similar products for [USB Connectors](#) category:*

*Click to view products by [HRO parts manufacturer](#):*

Other Similar products are found below :

[10033527-N3112MLF](#) [17-210561](#) [GMCB05B11124H1EU](#) [17-200931](#) [65-647-8-BK-BU](#) [690-010-295-484](#) [73725-1191BLF](#) [950](#) [E8144-B01021-L](#) [A-USB A-LP-SMT-C](#) [A-USB B-TOP-C](#) [MUSBA511N5](#) [MUSBB15131](#) [MUSBC111M5](#) [MUSBD11135](#) [217450-1](#) [CA 6 W LD](#) [896-30-004-00-000000](#) [KUSBVX-BS1N-W30](#) [KUSBX-AP-KIT-SCBLK](#) [KUSBX-AS2N-W](#) [KUSBX-SMT2AP1S-W](#) [KUSBX-SMTAS1NBTR](#) [KUSBX-SMTBS1NBTR](#) [30-498-6](#) [SK-60A-2](#) [17-200261](#) [17-210051](#) [1734082-1](#) [FK-37-32SL](#) [30-1574](#) [30-470](#) [30-489](#) [30-541](#) [30-572-3](#) [30-9503](#) [M9177/2-1](#) [MAB 5 S](#) [MIKROE-1451](#) [33UBBR-04SW11R](#) [USBFTV2PEM2G](#) [USBFTVC6ZN](#) [USBFTVSCCG](#) [KUSBX-AS2N-W30](#) [KUSBX-SLAS1N-W](#) [KUSBX-SLAS1N-W30](#) [1-1734084-2](#) [E8110-001-01](#) [MUSBC11135](#) [NK-27-32SL](#)