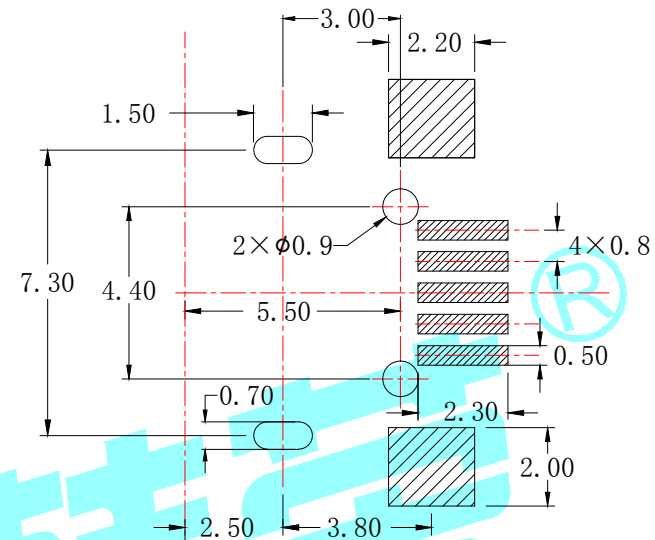
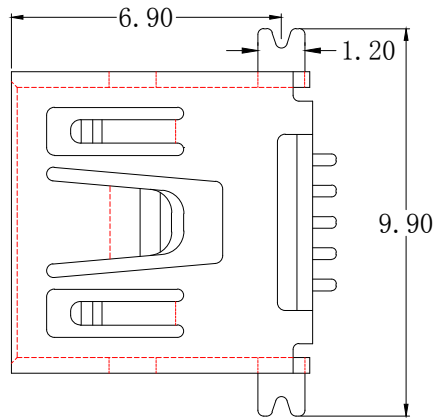
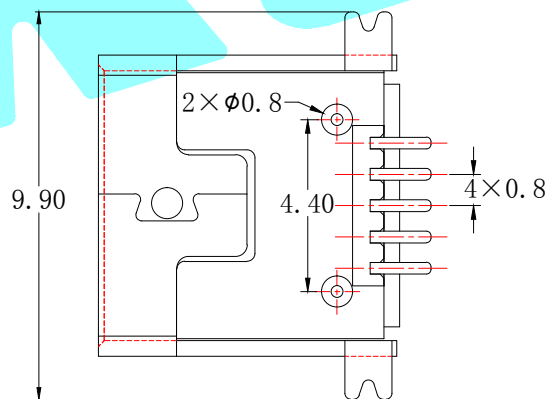
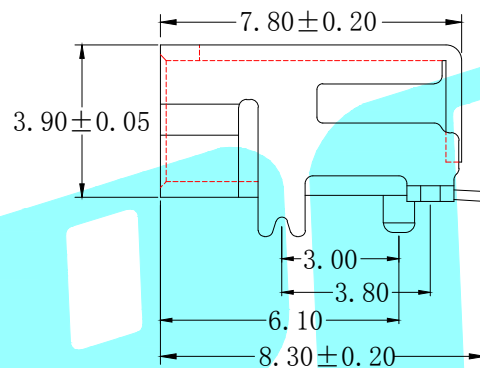
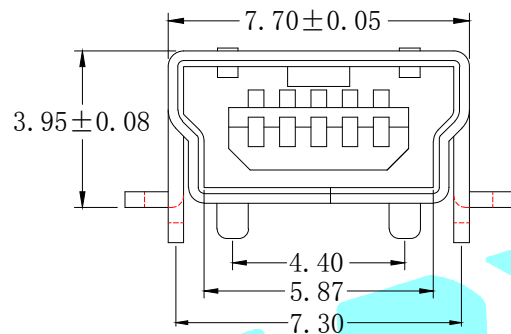


ROHS



Recommended PCB Layout



SPECIFICATIONS

- 1.Rating : 30V 1.0A
- 2.Contact Resistance: ≤50mΩ
- 3.Insulation Resistance: ≥100mΩ DC500V
- 4.Operating Temperature Range: 25 85
- 5.Ambient Humidity Used: ≤85%RH
- 6.Life : 5,000 Cycles

| ③    | Shell     | —       | 1    | Copper Alloy | Ni Plated    | —      |
|------|-----------|---------|------|--------------|--------------|--------|
| ②    | Contact   | —       | 5    | Copper Alloy | Au/Sn Plated | —      |
| ①    | Housing   | —       | 1    | LCP          | Black        | —      |
| ITEM | PART NAME | TER'NO. | QTY. | MATERIAL     | FINISHING    | REMARK |

|                |        |                      |             |       |                         |              |
|----------------|--------|----------------------|-------------|-------|-------------------------|--------------|
| APPROVALS      |        |                      | DATE        |       | <br>ELECTRONICS CO.,LTD |              |
| DRAWN          | LIUCAN | 2021.6.8             |             |       |                         |              |
| CHECKED        |        | TITLE: USB CONNECTOR |             |       |                         |              |
| APPROVALS      |        |                      | PART NO.    |       | U-M-M5DS-W-6            |              |
| TOLERANCES ARE |        |                      | 30~以上 ±0.30 | ±0.25 | ANGLE                   | UNIT: mm     |
|                |        |                      | 10~30 ±0.25 | ±0.20 | ±2'                     | SCALE: 1:1   |
|                |        |                      | 5~10 ±0.20  | ±0.15 |                         | PROJ:        |
|                |        |                      | ~ 5 ±0.15   |       |                         | DRAWING NO.  |
|                |        |                      |             |       |                         | SHEET 1 OF 1 |

|         |      |       |              |         |        |        |
|---------|------|-------|--------------|---------|--------|--------|
| ECN NO. | REV. | DATE. | DESCRIPTION. | CHANGE. | CHECK. | APPRO. |
|         | A    |       | NEW          |         |        |        |

## X-ON Electronics

Largest Supplier of Electrical and Electronic Components

*Click to view similar products for [USB Connectors](#) category:*

*Click to view products by [HRO parts manufacturer](#):*

Other Similar products are found below :

[950](#) [MUSBD11135](#) [17-200721](#) [217450-1](#) [KMBVX-TH-5S-B30](#) [KUSBX-AS2N-W](#) [KUSBX-SMT2AP1S-W30](#) [935](#) [957](#) [30-498-6](#) [SK-60A-2](#)  
[1734082-1](#) [30-470](#) [30-489](#) [30-541](#) [A-USB A-2P-C](#) [MIKROE-1451](#) [USBFTVSCCG](#) [1-1734084-2](#) [10135326-001LF](#) [4198](#) [USB-A-D-VT](#)  
[USB-A-S-RA-TSMT](#) [1310-1023-02](#) [690-024-633-031](#) [UB-20PMFP-LC7001](#) [17-200011](#) [UB-20AFMM-LL7A01](#) [1040870124](#) [CAP-](#)  
[WCCMLPB1](#) [CAP-WCCMLPC1](#) [2274475-3](#) [UB-20BMFA-SL8001](#) [914-614A2025S10200](#) [USB3FTV7SAGF059](#) [ZX40-B-5S-1500-](#)  
[STDA\(30\)](#) [GSB3116344HR](#) [USB3FTV2SAZNF459](#) [USB3FTV7SAZNF459](#) [U221-041N-1WVS62-F5D](#) [HYCW153-USBD05-500B](#)  
[HYCW219-USBD05-075B](#) [HYCW148-USBD05-117B](#) [HYCW149-USBD05-740B](#) [HYCW204-USBD05-108B](#) [HYCW214-USBA04-113B](#)  
[HYCW213-USBA04-113B](#) [UB-20AMFM-SL7A01](#) [KMMX-BSMT35S-1-B30TR](#) [2345986-1](#)