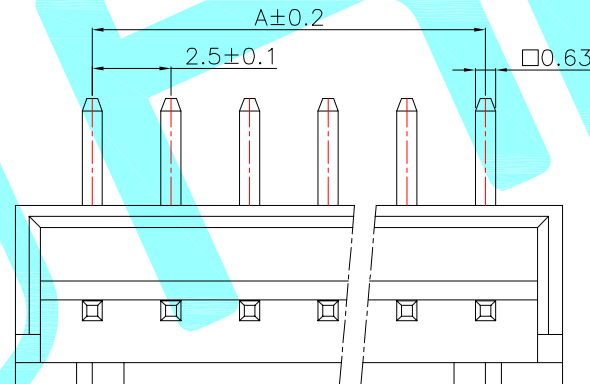
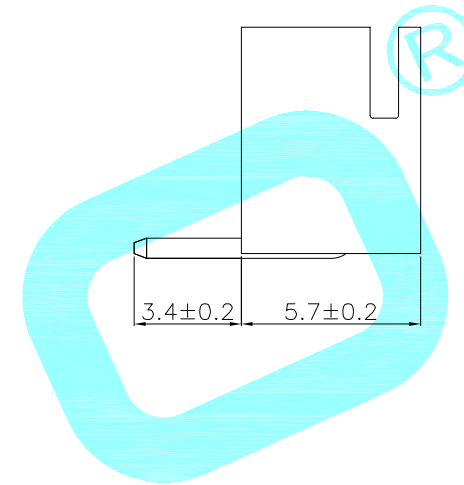
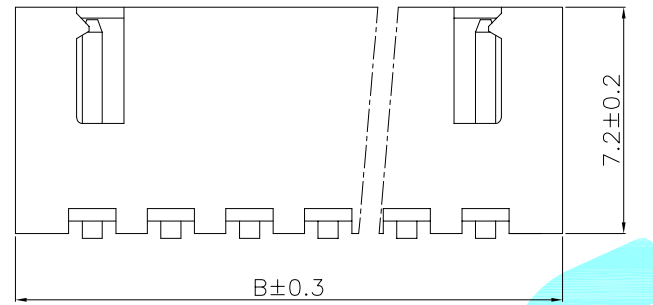
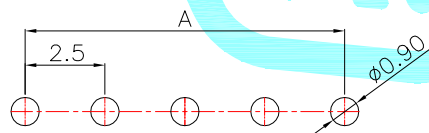


Poles	PART NO	DIM A	DIM B
2	XH-2AW	2.5	7.5
3	XH-3AW	5.0	10.0
4	XH-4AW	7.5	12.5
5	XH-5AW	10.0	15.0
6	XH-6AW	12.5	17.5
7	XH-7AW	15.0	20.0
8	XH-8AW	17.5	22.5
9	XH-9AW	20.0	25.0
10	XH-10AW	22.5	27.5
11	XH-11AW	25.0	30.0
12	XH-12AW	27.5	32.5
13	XH-13AW	30.0	35.0
14	XH-14AW	32.5	37.5
15	XH-15AW	35.0	40.0


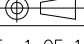
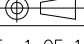
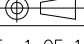


- 1.Pin pitch: 2.5
- 2.Rated voltage: 250V DC/AC
- 3.Contact resistance: $\leq 20m\Omega$
- 4.Insulation resistance: $\geq 1000M\Omega$
- 5.Operating temperature: $-25^{\circ}C \sim +85^{\circ}C$



PCB LAYOUT

②	PIN	—	—	Brass	Sn Plated	—
①	Base	—	1	PA66	Natural	—
ITEM	PART NAME	TER'NO.	QTY.	MATERIAL	FINISHING	REMARK

APPROVALS			DATE															
DRAWN	LIUCAN		2021.10.22					TITLE:	Bar Connector Series									
CHECKED					PART NO.	XH-nAW												
APPROVALS					TOLERANCES ARE	<table border="1"> <tr> <td>30~以上</td> <td>±0.30</td> <td rowspan="4">ANGLE</td> <td rowspan="4">UNIT: mm</td> <td rowspan="4">SCALE: 1:1</td> <td rowspan="4">PROJ: </td> </tr> <tr> <td>10~30</td> <td>±0.20</td> </tr> <tr> <td>5~10</td> <td>±0.15</td> </tr> <tr> <td>~ 5</td> <td>±0.10</td> </tr> </table>	30~以上	±0.30	ANGLE	UNIT: mm	SCALE: 1:1	PROJ: 	10~30	±0.20	5~10	±0.15	~ 5	±0.10
30~以上	±0.30	ANGLE	UNIT: mm	SCALE: 1:1	PROJ: 													
10~30	±0.20																	
5~10	±0.15																	
~ 5	±0.10																	
					DRAWING NO.	SHEET 1 OF 1												

ECN NO.	REV.	DATE.	DESCRIPTION.	CHANGE.	CHECK.	APPRO.
—	A	—	NEW	—	—	—

X-ON Electronics

Largest Supplier of Electrical and Electronic Components

Click to view similar products for [Headers & Wire Housings](#) category:

Click to view products by [HRO parts](#) manufacturer:

Other Similar products are found below :

[0015917161](#) [0022155065](#) [57102-F02-18ULF](#) [58102-G61-06LF](#) [582553-1](#) [01.001.5753.1](#) [0050291907](#) [02.125.8002.8](#) [609-3404](#) [61062-3](#)
[CSU011177004](#) [622-0430](#) [622-3653LF](#) [63453-116](#) [636-1030](#) [636-1427](#) [636-3427](#) [636-4007](#) [641938-9](#) [65495-038](#) [65692-001LF](#) [65781-018](#)
[65781-047](#) [65817-010LF](#) [65817-015LF](#) [67095-007LF](#) [67601157](#) [68631-112](#) [68645-018](#) [699319-000](#) [70.362.1628.0](#) [70-4210](#) [70-4226B](#) [70-](#)
[4853B](#) [71.350.2428.0](#) [733-134](#) [733-162](#) [MHR-64-VUAL](#) [80.063.4001.1](#) [800-90-001-10-001000](#) [801-43-002-10-013000](#) [801-43-006-10-](#)
[002000](#) [803-43-024-10-001000](#) [803-93-012-10-001000](#) [8-1437020-4](#) [819-22-004-30-001101](#) [820-22-006-30-001101](#) [820-22-008-30-001101](#)
[821-22-002-10-001101](#) [821-22-003-10-002101](#)