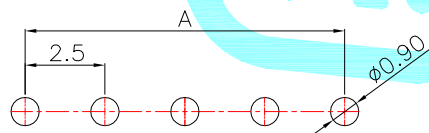
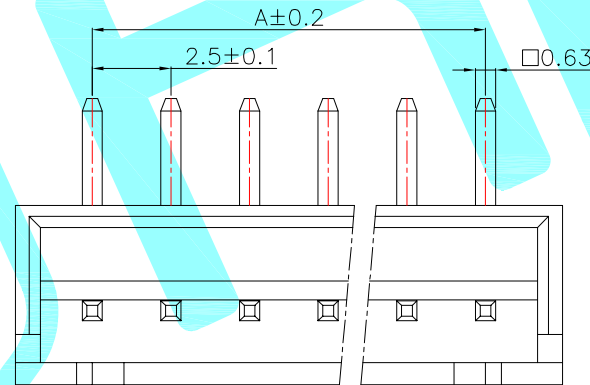
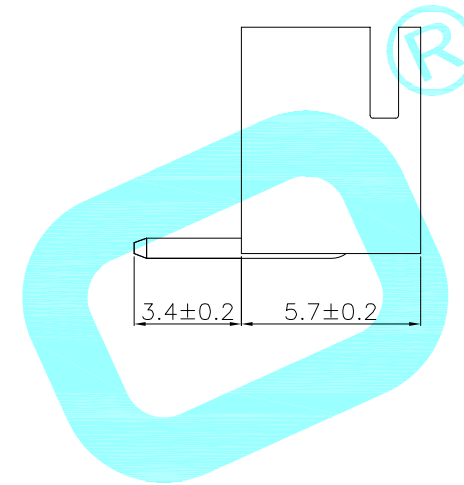
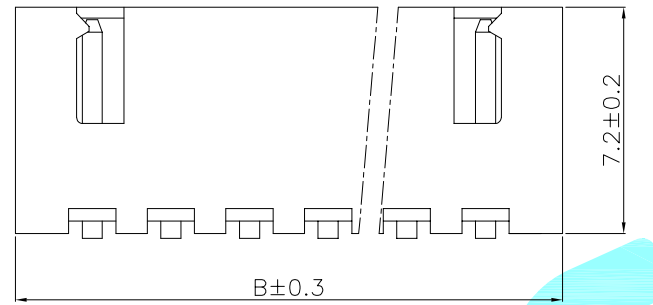


| Poles | PART NO | DIM A | DIM B |
|-------|---------|-------|-------|
| 2     | XH-2AW  | 2.5   | 7.5   |
| 3     | XH-3AW  | 5.0   | 10.0  |
| 4     | XH-4AW  | 7.5   | 12.5  |
| 5     | XH-5AW  | 10.0  | 15.0  |
| 6     | XH-6AW  | 12.5  | 17.5  |
| 7     | XH-7AW  | 15.0  | 20.0  |
| 8     | XH-8AW  | 17.5  | 22.5  |
| 9     | XH-9AW  | 20.0  | 25.0  |
| 10    | XH-10AW | 22.5  | 27.5  |
| 11    | XH-11AW | 25.0  | 30.0  |
| 12    | XH-12AW | 27.5  | 32.5  |
| 13    | XH-13AW | 30.0  | 35.0  |
| 14    | XH-14AW | 32.5  | 37.5  |
| 15    | XH-15AW | 35.0  | 40.0  |



PCB LAYOUT

- 1.Pin pitch: 2.5
- 2.Rated voltage: 250V DC/AC
- 3.Contact resistance:  $\leq 20m\Omega$
- 4.Insulation resistance:  $\geq 1000M\Omega$
- 5.Operating temperature:  $-25^{\circ}C \sim +85^{\circ}C$

| ITEM | PART NAME | TER'NO. | QTY. | MATERIAL | FINISHING | REMARK |
|------|-----------|---------|------|----------|-----------|--------|
| ②    | PIN       | —       | —    | Brass    | Sn Plated | —      |
| ①    | Base      | —       | 1    | PA66     | Natural   | —      |

| APPROVALS      |        | DATE        | hro®     |                      |       |              |
|----------------|--------|-------------|----------|----------------------|-------|--------------|
| DRAWN          | LIUCAN | 2021.10.22  | TITLE:   | Bar Connector Series |       |              |
| CHECKED        |        |             | PART NO. | XH-nAW               |       |              |
| APPROVALS      |        |             | UNIT: mm | SCALE: 1:1           | PROJ: |              |
| TOLERANCES ARE |        | 30~以上 ±0.30 | ANGLE    | DRAWING NO.          |       | SHEET 1 OF 1 |
|                |        | 10~30 ±0.20 | ±2'      |                      |       |              |
|                |        | 5~10 ±0.15  |          |                      |       |              |
|                |        | ~ 5 ±0.10   |          |                      |       |              |

| ECN NO. | REV. | DATE. | DESCRIPTION. | CHANGE. | CHECK. | APPRO. |
|---------|------|-------|--------------|---------|--------|--------|
| —       | A    | —     | NEW          | —       | —      | —      |

## X-ON Electronics

Largest Supplier of Electrical and Electronic Components

*Click to view similar products for [Headers & Wire Housings](#) category:*

*Click to view products by [HRO parts](#) manufacturer:*

Other Similar products are found below :

[0015917161](#) [0022155065](#) [57102-F02-18ULF](#) [58102-G61-06LF](#) [582553-1](#) [01.001.5753.1](#) [0050291907](#) [02.125.8002.8](#) [609-3404](#) [61062-3](#)  
[CSU011177004](#) [622-0430](#) [622-3653LF](#) [63453-116](#) [636-1030](#) [636-1427](#) [636-3427](#) [636-4007](#) [641938-9](#) [65495-038](#) [65692-001LF](#) [65781-018](#)  
[65781-047](#) [65817-010LF](#) [65817-015LF](#) [67095-007LF](#) [67601157](#) [68631-112](#) [68645-018](#) [699319-000](#) [70.362.1628.0](#) [70-4210](#) [70-4226B](#) [70-](#)  
[4853B](#) [71.350.2428.0](#) [733-134](#) [733-162](#) [MHR-64-VUAL](#) [80.063.4001.1](#) [800-90-001-10-001000](#) [801-43-002-10-013000](#) [801-43-006-10-](#)  
[002000](#) [803-43-024-10-001000](#) [803-93-012-10-001000](#) [8-1437020-4](#) [819-22-004-30-001101](#) [820-22-006-30-001101](#) [820-22-008-30-001101](#)  
[821-22-002-10-001101](#) [821-22-003-10-002101](#)