

1 2 3 4 5 6 7 8

A

B

C

D

E

F

G

H

A

B

C

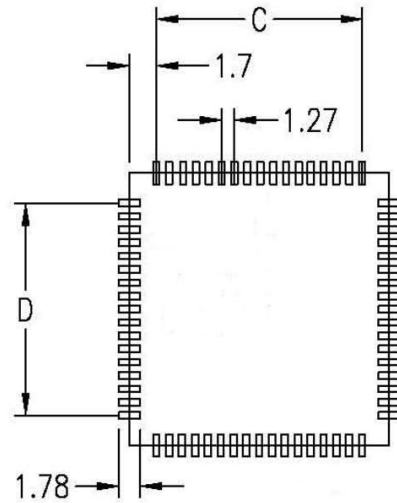
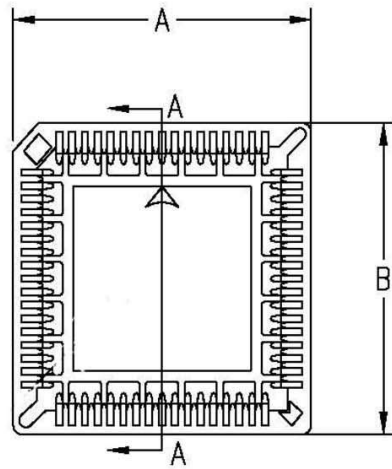
D

E

F

G

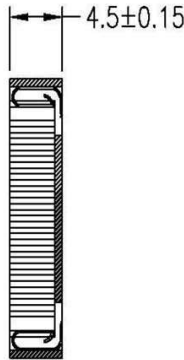
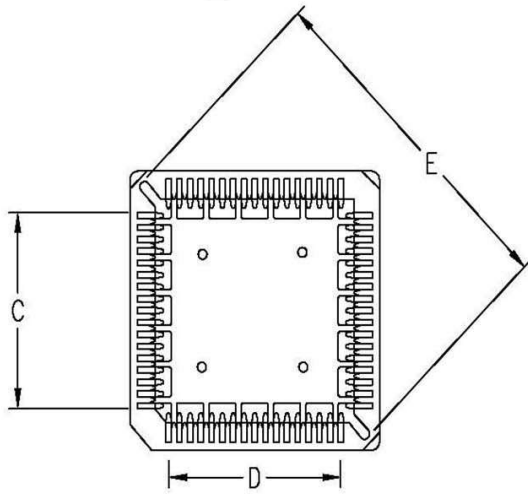
H



P.C.B LAYOUT

NO OF CONTACT	A±0.3	B±0.3	C±0.3	D±0.3	E±0.3
20	15.24	15.24	5.08	5.08	16.70
28	17.78	17.78	7.62	7.62	20.30
52	25.74	25.74	15.24	15.24	31.13
68	30.82	30.82	20.32	20.32	38.31
84	35.90	35.90	25.40	25.40	45.50

Insulator Material: PPS&40% Glass Fiber (UL 94-V0)
 Contact Resistance: 30MΩ Max at Dc 100ma
 Insulator Resistance: 1000MΩ Min at Dc 500V
 Current Rating: 1AMP
 Dielectric Withstand Voltage: AC 500V for 1 minute
 Temperature Rating: -55 deg C ~+ 105 deg C
 Contact Material: Phosphor Bronze



SECTION A-A

RoHS Compliant

APPD. 核准	SCALE 比例 参考	TOLERANCE 容許公差 .0 ± .00 ± ANG. ±
DWG. 製圖	UNIT 單位 MM	SIZE 紙張尺寸 A4
DATE 製表日 2012/4/18	PAGE 張數 1 OF 1	REV. 版本 B

PART NAME 品名
 PLCC SOCKET SMT TYPE 1.27mm XXP
 W/O POLARIZATION PEG TUBE PACKING
 STYLE TIN PLATING BROWN COLOR ROHS

PART NO.
 料號 PLCC-xxSMD

1 2 3 4 5 6 7 8

X-ON Electronics

Largest Supplier of Electrical and Electronic Components

Click to view similar products for [HSM manufacturer](#):

Other Similar products are found below :

[C0100-32NTRN00R](#) [C0662-06CGBR00R](#) [C0662-06YGBR00R](#) [C6200-34BDGATPR](#) [C9743-CCRNB001R](#) [C9745-CCNYB000R](#) [C9746-GCVBR000R](#) [C9750-CPNB0000R](#) [C9750-DPNB0000R](#) [C9751-DCVBR000R](#) [C9753-DGYB0000R](#) [H5050-02PDW000R](#) [H5050-03PSW000R](#) [H5050-04PDW000R](#) [H5050-06PDW000R](#) [H5050-08PDW000R](#) [H5050-10PDW000R](#) [H5050-12PDW000R](#) [H5050-14PDW000R](#) [H5050-16PDW000R](#) [H5050-24PDW000R](#) [H5150-02PDW000R](#) [H5150-03PSW000R](#) [H5150-06PDW000R](#) [H5150-10PDW000R](#) [H5150-12PDW000R](#) [H5150-14PDW000R](#) [H5150-18PDW000R](#) [H5150-20PDW000R](#) [H5150-22PDW000R](#)