

**Features:**

- 2 ~ 24 circuits available
- 600V volts rating ( R.M.S. )
- Current rating up to 9 amperes per circuits
- Positive housing locks
- Max. panel thickness: 2.54mm

**Specification:**

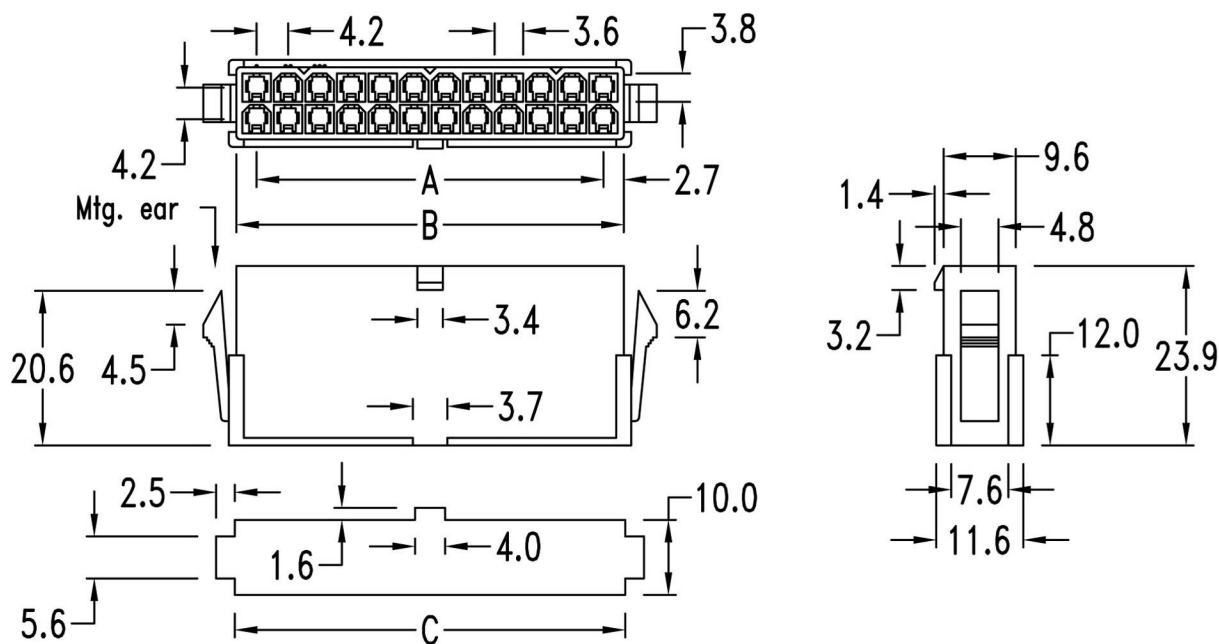
- Current rating and wire size:

Wire Size AWG	Circuits			
	2	4, 6	8, 10	12~24
# 18	9 A	8 A	7 A	6 A
# 20	7 A	6 A	5 A	5 A
# 22	5 A	4 A	4 A	4 A
# 24	4 A	3 A	3 A	3 A

- Voltage rating: 600V AC, DC
- Insulation resistance: DC 500V 1000MΩ min.
- Dielectric withstanding voltage: 1500V AC/minute
- Ambient temperature range: -25°C ~ 85°C  
(including temperature rise)

H
5050
—
12
P
D
W
0
0
0
R

- |   |   |   |
|---|---|---|
| <p>1. PRODUCTS:<br/>H:Housing</p> <p>2. SERIES NO.:<br/>5050(Female Housing)</p> <p>3. CONTACT NO.:<br/>02(1x2)-12(1x12)<br/>02(2x1)-24(2x12)</p> | <p>4. CONTACT TYPE:<br/>P:Non Distribution</p> <p>5. ROW TYPE:<br/>S:Single Row<br/>D:Dual Row</p> <p>6. INSULATOR COLOR:<br/>W:White</p> | <p>7. BODY OPTION:<br/>0:W/ Ear<br/>A:W/O Ear</p> <p>8. FILL IT WITH"0"</p> <p>9. MATERIAL:<br/>0:Nylon 66 UL94V-2<br/>1:Nylon 66 UL94V-0</p> <p>10. R:ROHS</p> |
|---|---|---|



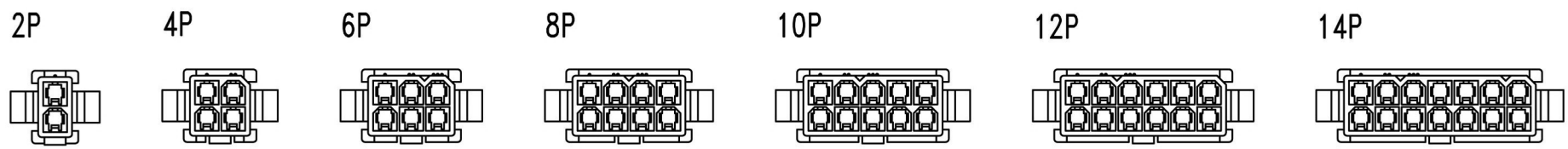
**Dimensional Information ( mm )**

Circuits	Dim. A	Dim. B	Dim. C	Circuits	Dim. A	Dim. B	Dim. C
2		5.6	5.8	14	25.2	30.8	31.0
4	4.2	9.8	10.0	16	29.4	35.0	35.2
6	8.4	14.0	14.2	18	33.6	39.2	39.4
8	12.6	18.2	18.4	20	37.8	43.4	43.6
10	16.8	22.4	22.6	22	42.0	47.6	47.8
12	21.0	26.6	26.8	24	46.2	51.8	52.0

<b>RoHS Compliant</b>	<b>HSM 玄茂科技股份有限公司</b> <b>HSUAN MAO TECHNOLOGY CO., LTD.</b>	
	APPD. 核准 DWG. 製圖 Hedy	TOLERANCE 容許公差 .000 ± 0.08 ( mm ) .00 ± 0.25 ( mm ) .0 ± 0.4 ( mm ) SCALE 比例 參考 UNIT 單位 MM PAGE 張數 1 / 1 DATE 制表日 2020/07/31
PART NAME 品名 MINI FIT 4.2mm FEMALE HOUSING 2XXXP WHITE COLOR ROHS		PART NO. 料號 H5050-XXPDW00XR

1 2 3 4 5 6 7 8

A

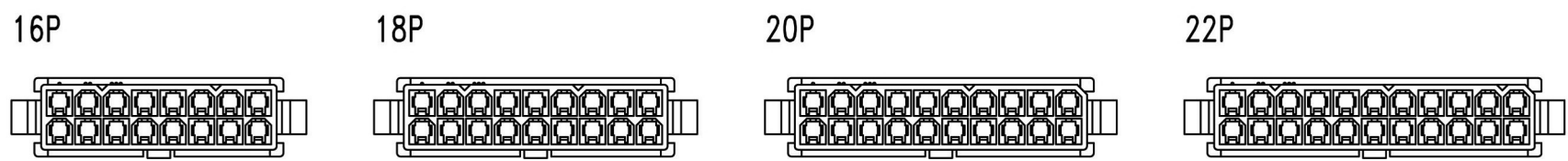


B

A

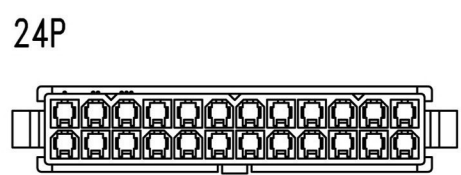
B

C



C

D



D

E

Ordering Information

Part No.	Material	Feature
H5050-XXPDWA00R	UL 94V-2	Without Mtg. ears
H5050-XXPDW000R		With Mtg. ears
H5050-XXPDWA01R	UL 94V-0	Without Mtg. ears
H5050-XXPDW001R		With Mtg. ears

&& xx = 02 ~ 24

E

F

F

G

<b>RoHS Compliant</b>		<b>HSM 玄茂科技股份有限公司</b>	
		<b>HSUAN MAO TECHNOLOGY CO., LTD.</b>	
APPD. 核准	 TOLERANCE 容許公差 .000 ± 0.08 (mm) .00 ± 0.25 (mm) .0 ± 0.4 (mm)	PART NAME 品名	
DWG. 製圖		SCALE 比例 參考	MINI FIT 4.2mm FEMALE HOUSING 2XXXP WHITE COLOR ROHS
DATE 制表日	UNIT 單位 M M	SIZE 紙張尺寸 A 4	PART NO. 料號 H5050-XXPDW00XR
2020/08/03	PAGE 張數 1 / 1	REV. 版次 B	

G

H

H

1 2 3 4 5 6 7 8

## X-ON Electronics

Largest Supplier of Electrical and Electronic Components

*Click to view similar products for [Headers & Wire Housings](#) category:*

*Click to view products by [HSM](#) manufacturer:*

Other Similar products are found below :

[0015917161](#) [0022155065](#) [57102-F02-18ULF](#) [58102-G61-06LF](#) [582553-1](#) [01.001.5753.1](#) [0050291907](#) [02.125.8002.8](#) [609-3404](#) [61062-3](#)  
[CSU011177004](#) [622-0430](#) [622-3653LF](#) [63453-116](#) [636-1030](#) [636-1427](#) [636-3427](#) [636-4007](#) [641938-9](#) [65495-038](#) [65692-001LF](#) [65781-018](#)  
[65781-047](#) [65817-010LF](#) [65817-015LF](#) [67095-007LF](#) [67601157](#) [68631-112](#) [699319-000](#) [70.362.1628.0](#) [70-4210](#) [70-4226B](#) [70-4853B](#) [707-](#)  
[5028](#) [71.350.2428.0](#) [733-134](#) [733-162](#) [760-3052](#) [MHR-64-VUAL](#) [80.063.4001.1](#) [800-90-001-10-001000](#) [801-43-002-10-013000](#)  
[801-43-006-10-002000](#) [803-43-024-10-001000](#) [803-93-012-10-001000](#) [8-1437020-4](#) [819-22-004-30-001101](#) [820-22-006-30-001101](#)  
[820-22-008-30-001101](#) [821-22-002-10-001101](#)