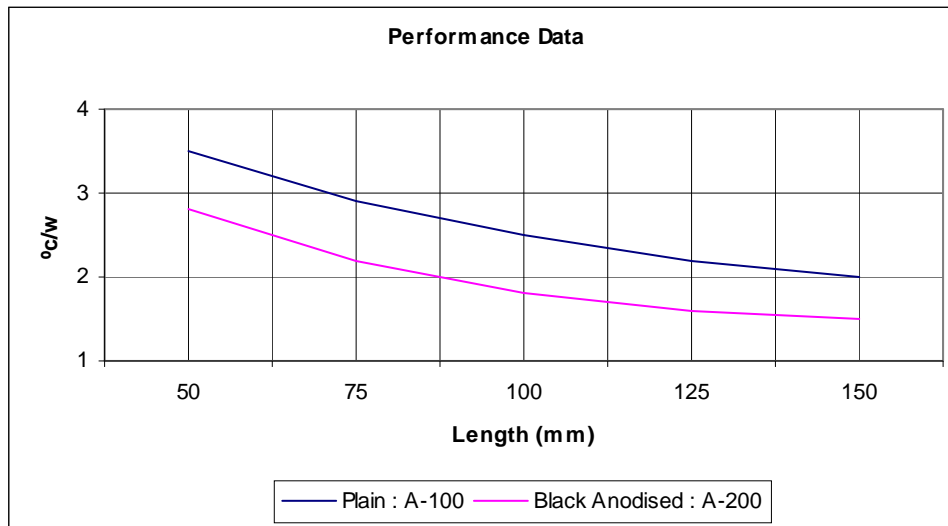
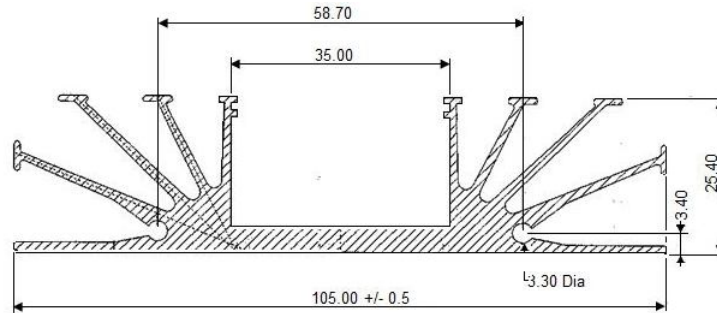




Electronics Cooling Group

07WN



Material:

Aluminium alloy to BS EN 573-6060 / BS EN 575-606 - T6.
Heat Sinks may be ordered in any length up to 2000mm.

Dimensions:

Tolerance on length: ±0.5mm on up to 500mm
±1.0mm on up to 1000mm
Tolerance on bow: ±0.125mm per 25mm width.
Other tolerances: in accordance with BS EN 12020 / BS EN 755.

Surface Finish:

Marston Heat Sinks can be supplied in any of the following finishes.

Finish No.	Description
100	Mill finish
200	Black Anodise
300	Alochrome 1200
400	Powder Coated
500	Clear Anodise
705	Surtech 650
800	Painted
900	Other

Other coloured finishes are also available.

- Turnkey Project Management
- CFD Thermal Analysis
- CNC Machining
- Alternative Cooling Solutions
- Quality Approved To BS EN 9001:2008
- Qualification Testing
- Custom Design Service

Electronics Cooling Group
Wobaston Road
Fordhouses
Wolverhampton
WV10 6QJ

Phone: 01902 572737 /
Fax: 01902 572749
E-mail: ecg@hsmarston.co.uk
www.hsmarston.co.uk

X-ON Electronics

Largest Supplier of Electrical and Electronic Components

Click to view similar products for [h s marston](#) manufacturer:

Other Similar products are found below :

[150CN-02000-A-200](#) [97CN-01000-A-200](#) [05DN-00500-A-200](#) [CC001](#) [890SP-02000-A-100](#) [43DN-01500-A-200](#) [938SP-02000-A-200](#)
[94DN-02500-A-200](#) [43DN-02500-A-200](#) [890SP-03000-A-100](#) [97CN-02500-A-200](#) [150CN-01250-A-200](#) [11DN-00500-A-1SX](#) [CP464-100-](#)
[100-04-S-2](#) [890SP-01000-A-100](#) [02HN-00500-A-200](#) [11DN-01000-A-2SX](#) [96CN-02000-A-200](#) [11DN-01500-C-1SX](#)