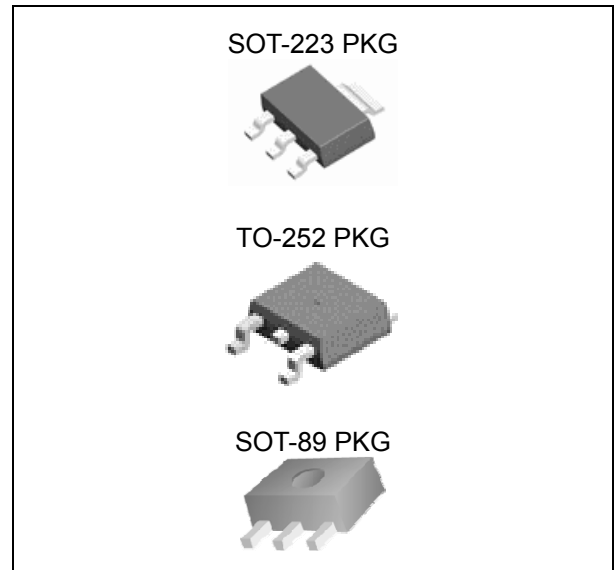


## FEATURES

- Output Current up to 1 A
- Low Dropout Voltage (1.2V at 1A Output current)
- Three Terminal Adjustable(ADJ) or Fixed 1.2V, 1.5V, 1.8V, 2.5V, 2.85V, 3.3V, 5.0V
- Line Regulation typically at 0.1% max.
- Load Regulation typically at 0.2% max.
- Internal Current and Terminal Protection
- Maximum Input Voltage 20V
- Surface Mount Package SOT-223, TO-252, SOT-89
- 100% Thermal Limit Burn-In
- Moisture Sensitivity Level 3



## APPLICATION

- Active SCSI Terminators
- Portable/ Plan Top/ Notebook Computers
- High Efficiency Linear Regulators
- SMPS Post Regulators
- Mother B/D Clock Supplies
- Disk Drives
- Battery Chargers

## ORDERING INFORMATION

Device	Package
LM1117S-ADJ	SOT-223 3L
LM1117S-X.X	
LM1117GS-ADJ	
LM1117RS-ADJ	TO-252 3L
LM1117RS-X.X	
LM1117GRS-ADJ	
LM1117GF-ADJ	SOT-89 3L
LM1117GF-X.X	
LM1117GF-X.X	

X.X = Output Voltage = 1.2V, 1.5V, 1.8V, 2.5V, 2.85V, 3.3V, 5.0V

## DESCRIPTION

The LM1117 is a low power positive-voltage regulator designed to meet 1A output current and comply with SCSI-II specifications with a fixed output voltage of 2.85V. This device is an excellent choice for use in battery-powered applications, as active terminators for the SCSI bus, and portable computers. The LM1117 features very low quiescent current and very low dropout voltage of 1V at a full load and lower as output current decreases. LM1117 is available as an adjustable or fixed 1.2V, 1.5V, 1.8V, 2.5V, 2.85, 3.3V, and 5.0V output voltages. The LM1117 is offered in a 3-pin surface mount package SOT-223, TO-252 & SOT-89. The output capacitor of 10 $\mu$ F or larger is needed for output stability of LM1117 as required by most of the other regulator circuits.

## Absolute Maximum Ratings

(T<sub>A</sub> = 25°C, unless otherwise specified)

CHARACTERISTIC	SYMBOL	MIN.	MAX.	UNIT
DC Input Voltage	V <sub>IN</sub>	-	20	V
Lead Temperature (Soldering, 5 seconds)	T <sub>SOL</sub>	-	260	°C
Operating Junction Temperature Range	T <sub>OPR</sub>	-40	125	°C
Storage Temperature Range	T <sub>STG</sub>	-65	150	°C

## Ordering Information

V <sub>OUT</sub>	Package	Order No.	Package Marking	Supplied As	Status
ADJ	SOT-223	LM1117S-ADJ	1117C ADJ	Reel	Active
	SOT-223	LM1117GS-ADJ	1117GC ADJ	Reel	Contact us
	TO-252	LM1117RS-ADJ	LM1117C ADJ	Reel	Active
	TO-252	LM1117GRS-ADJ	LM1117GC ADJ	Reel	Contact us
	SOT-89	LM1117F-ADJ	1117C ADJ	Reel	Active
	SOT-89	LM1117GF-ADJ	1117GC ADJ	Reel	Active
1.2V	SOT-223	LM1117S-1.2V	1117C 1.2	Reel	Active
	SOT-223	LM1117GS-1.2V	1117GC 1.2	Reel	Contact us
	TO-252	LM1117RS-1.2V	LM1117C 1.2	Reel	Active
	TO-252	LM1117GRS-1.2V	LM1117GC 1.2	Reel	Contact us
	SOT-89	LM1117F-1.2V	1117C 1.2	Reel	Active
	SOT-89	LM1117GF-1.2V	1117GC 1.2	Reel	Active
1.5V	SOT-223	LM1117S-1.5V	1117C 1.5	Reel	Active
	SOT-223	LM1117GS-1.5V	1117GC 1.5	Reel	Contact us
	TO-252	LM1117RS-1.5V	LM1117C 1.5	Reel	Active
	TO-252	LM1117GRS-1.5V	LM1117GC 1.5	Reel	Contact us
	SOT-89	LM1117F-1.5V	1117C 1.5	Reel	Active
	SOT-89	LM1117GF-1.5V	1117GC 1.5	Reel	Active
1.8V	SOT-223	LM1117S-1.8V	1117C 1.8	Reel	Active
	SOT-223	LM1117GS-1.8V	1117GC 1.8	Reel	Contact us
	TO-252	LM1117RS-1.8V	LM1117C 1.8	Reel	Active
	TO-252	LM1117GRS-1.8V	LM1117GC 1.8	Reel	Contact us
	SOT-89	LM1117F-1.8V	1117C 1.8	Reel	Active
	SOT-89	LM1117GF-1.8V	1117GC 1.8	Reel	Active
2.5V	SOT-223	LM1117S-2.5V	1117C 2.5	Reel	Active
	SOT-223	LM1117GS-2.5V	1117GC 2.5	Reel	Contact us
	TO-252	LM1117RS-2.5V	LM1117C 2.5	Reel	Active
	TO-252	LM1117GRS-2.5V	LM1117GC 2.5	Reel	Contact us
	SOT-89	LM1117F-2.5V	1117C 2.5	Reel	Active
	SOT-89	LM1117GF-2.5V	1117GC 2.5	Reel	Active
2.85V	SOT-223	LM1117S-2.85V	1117C 2.85	Reel	Active
	SOT-223	LM1117GS-2.85V	1117GC 2.85	Reel	Contact us
	TO-252	LM1117RS-2.85V	LM1117C 2.85	Reel	Active
	TO-252	LM1117GRS-2.85V	LM1117GC 2.85	Reel	Contact us
	SOT-89	LM1117F-2.85V	1117C 2.85	Reel	Active
	SOT-89	LM1117GF-2.85V	1117GC 2.85	Reel	Active

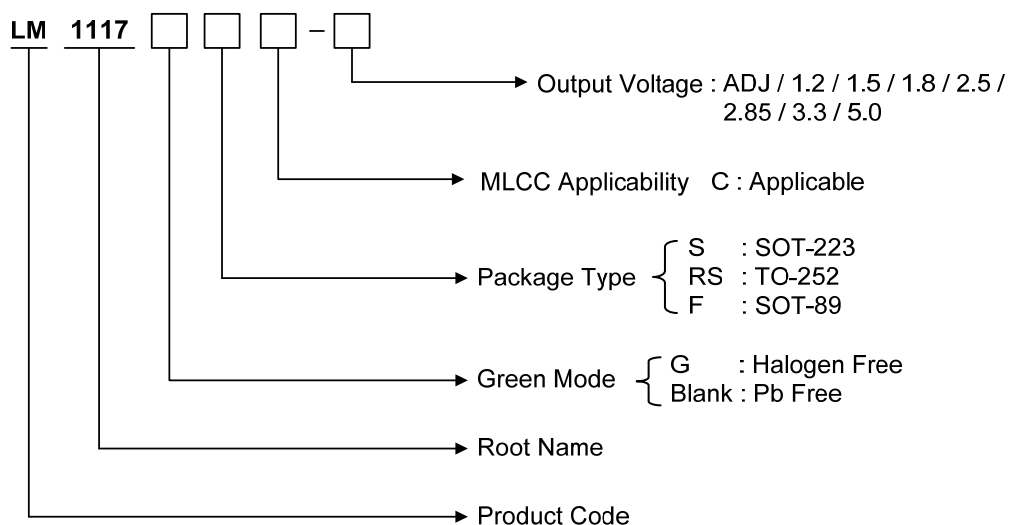
# 1A L.D.O VOLTAGE REGULATOR

# LM1117

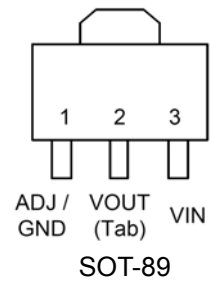
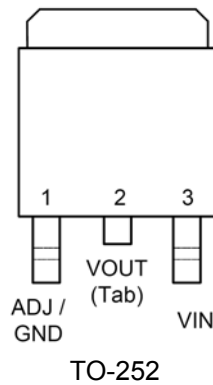
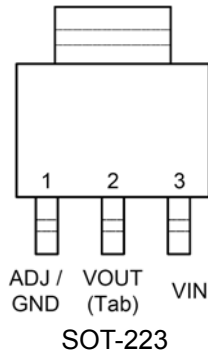
## Ordering Information

(Continued)

VOUT	Package	Order No.	Package Marking	Supplied As	Status
3.3V	SOT-223	LM1117S-3.3V	1117C 3.3	Reel	Active
	SOT-223	LM1117GS-3.3V	1117GC 3.3	Reel	Contact us
	TO-252	LM1117RS-3.3V	LM1117C 3.3	Reel	Active
	TO-252	LM1117GRS-3.3V	LM1117GC 3.3	Reel	Contact us
	SOT-89	LM1117F-3.3V	1117C 3.3	Reel	Active
	SOT-89	LM1117GF-3.3V	1117GC 3.3	Reel	Active
5.0V	SOT-223	LM1117S-5.0V	1117C 5.0	Reel	Active
	SOT-223	LM1117GS-5.0V	1117GC 5.0	Reel	Contact us
	TO-252	LM1117RS-5.0V	LM1117C 5.0	Reel	Active
	TO-252	LM1117GRS-5.0V	LM1117GC 5.0	Reel	Contact us
	SOT-89	LM1117F-5.0V	1117C 5.0	Reel	Active
	SOT-89	LM1117GF-5.0V	1117GC 5.0	Reel	Active



## PIN CONFIGURATION



## PIN DESCRIPTION

Pin No.	SOT-223 / TO-252 / SOT-89	
	Name	Function
1	ADJ/GND	Adjustable / Ground
2	$V_{OUT}$	Output Voltage
3	$V_{IN}$	Input Voltage

## ELECTRICAL CHARACTERISTICS

## For ADJ Output Voltage

(T<sub>A</sub>=25°C, C<sub>O</sub> = 10uF unless otherwise specified)

Symbol	Parameters	Condition	Min.	Typ.	Max.	Unit
V <sub>REF</sub>	Reference Voltage	V <sub>IN</sub> =5V, I <sub>O</sub> =10mA	1.238	1.250	1.262	V
V <sub>REF</sub>	Reference Voltage	I <sub>O</sub> = 10mA to 1A, V <sub>IN</sub> - V <sub>REF</sub> = 1.5V to 13.75V (T <sub>J</sub> = 0 ~ 125°C)	1.219		1.281	V
ΔV <sub>LINE</sub>	Line Regulation	I <sub>O</sub> = 10mA, V <sub>IN</sub> - V <sub>REF</sub> = 1.5V to 12V		0.1	0.2	%
ΔV <sub>LOAD</sub>	Load Regulation	I <sub>O</sub> = 10mA to 1A, V <sub>IN</sub> - V <sub>REF</sub> = 2 V		0.2	0.4	%
V <sub>IN</sub>	Operating Input Voltage				12	V
I <sub>ADJ</sub>	Adjustment pin Current	V <sub>IN</sub> - V <sub>REF</sub> = 1.5V to 12V, I <sub>O</sub> = 100mA		50	120	uA
ΔI <sub>ADJ</sub>	Adjustment Pin Current Change	V <sub>IN</sub> - V <sub>REF</sub> = 1.5V to 12V, I <sub>O</sub> = 100mA to 1A		0.5	5	uA
I <sub>O(MIN)</sub>	Minimum Load Current	V <sub>IN</sub> =5V, V <sub>REF</sub> =0V		5	10	mA
I <sub>O</sub>	Current Limit	V <sub>IN</sub> - V <sub>REF</sub> = 5V	1000	1250	1600	mA
e <sub>N</sub>	Output Noise(%V <sub>O</sub> )	B = 10Hz to 10kHz, T <sub>J</sub> = 25°C		0.003		%
SVR	Supply Voltage Rejection	I <sub>O</sub> = 1A, f = 120Hz, V <sub>IN</sub> - V <sub>REF</sub> = 3V, V <sub>RIPPLE</sub> = 1V <sub>PP</sub>	60	75		dB

## For 1.2V Output Voltage

(T<sub>A</sub>=25°C, C<sub>O</sub> = 10uF unless otherwise specified)

Symbol	Parameters	Condition	Min.	Typ.	Max.	Unit
V <sub>O</sub>	Output Voltage	V <sub>IN</sub> = 2.7V, I <sub>O</sub> = 10mA	1.176	1.200	1.224	V
V <sub>O</sub>	Output Voltage	V <sub>IN</sub> = 2.7V to 12V, I <sub>O</sub> = 0mA to 1A (T <sub>J</sub> = 0 ~ 125°C)	1.152		1.248	V
ΔV <sub>LINE</sub>	Line Regulation	I <sub>O</sub> = 0mA, V <sub>IN</sub> = 2.7V to 12V		0.1	0.2	%
ΔV <sub>LOAD</sub>	Load Regulation	I <sub>O</sub> = 10mA to 1A, V <sub>IN</sub> = 3.2V		0.2	0.4	%
V <sub>IN</sub>	Operating Input Voltage				12	V
I <sub>D</sub>	Quiescent Current	V <sub>IN</sub> - V <sub>O</sub> = 5V		5	10	mA
I <sub>O</sub>	Current Limit	V <sub>IN</sub> - V <sub>O</sub> = 5V	1000	1250	1600	mA
e <sub>N</sub>	Output Noise(%V <sub>O</sub> )	B = 10Hz to 10kHz, T <sub>J</sub> = 25°C		0.003		%
SVR	Supply Voltage Rejection	I <sub>O</sub> = 1A, f = 120Hz, V <sub>IN</sub> - V <sub>O</sub> = 1.5V, V <sub>RIPPLE</sub> = 1V <sub>PP</sub>	60	75		dB

# 1A L.D.O VOLTAGE REGULATOR

# LM1117

## For 1.5V Output Voltage

( $T_A=25^\circ\text{C}$ ,  $C_O = 10\mu\text{F}$  unless otherwise specified)

Symbol	Parameters	Condition	Min.	Typ.	Max.	Unit
$V_O$	Output Voltage	$V_{IN} = 3.0\text{V}$ , $I_O = 10\text{mA}$	1.485	1.5	1.515	V
$V_O$	Output Voltage	$V_{IN} = 3.0\text{V to } 12\text{V}$ , $I_O = 0\text{mA to } 1\text{A}$ ( $T_J = 0 \sim 125^\circ\text{C}$ )	1.470		1.530	V
$\Delta V_{LINE}$	Line Regulation	$I_O = 0\text{mA}$ , $V_{IN} = 3.0\text{V to } 12\text{V}$		0.1	0.2	%
$\Delta V_{LOAD}$	Load Regulation	$I_O = 0\text{mA to } 1\text{A}$ , $V_{IN} = 3.5\text{V}$		0.2	0.4	%
$V_{IN}$	Operating Input Voltage	$I_O = 100\text{mA}$			12	V
$I_D$	Quiescent Current	$V_{IN} - V_O = 5\text{V}$		5	10	mA
$I_O$	Current Limit	$V_{IN} - V_O = 5\text{V}$	1000	1250	1600	mA
$e_N$	Output Noise(% $V_O$ )	$B = 10\text{Hz to } 10\text{kHz}$ , $T_J = 25^\circ\text{C}$		100		$\mu\text{V}$
SVR	Supply Voltage Rejection	$I_O = 1\text{A}$ , $f = 120\text{Hz}$ , $V_{IN} - V_O = 3\text{V}$ , $V_{RIPPLE} = 1V_{PP}$	60	75		dB

## For 1.8V Output Voltage

( $T_A=25^\circ\text{C}$ ,  $C_O = 10\mu\text{F}$  unless otherwise specified)

Symbol	Parameters	Condition	Min.	Typ.	Max.	Unit
$V_O$	Output Voltage	$V_{IN} = 3.3\text{V}$ , $I_O = 10\text{mA}$	1.782	1.8	1.818	V
$V_O$	Output Voltage	$V_{IN} = 3.3\text{V to } 12\text{V}$ , $I_O = 0\text{mA to } 1\text{A}$ ( $T_J = 0 \sim 125^\circ\text{C}$ )	1.764		1.836	V
$\Delta V_{LINE}$	Line Regulation	$I_O = 0\text{mA}$ , $V_{IN} = 3.3\text{V to } 12\text{V}$		0.1	0.2	%
$\Delta V_{LOAD}$	Load Regulation	$I_O = 0\text{mA to } 1\text{A}$ , $V_{IN} = 3.8\text{V}$		0.2	0.4	%
$V_{IN}$	Operating Input Voltage	$I_O = 100\text{mA}$			12	V
$I_D$	Quiescent Current	$V_{IN} - V_O = 5\text{V}$		5	10	mA
$I_O$	Current Limit	$V_{IN} - V_O = 5\text{V}$	1000	1250	1600	mA
$e_N$	Output Noise(% $V_O$ )	$B = 10\text{Hz to } 10\text{kHz}$ , $T_J = 25^\circ\text{C}$		100		$\mu\text{V}$
SVR	Supply Voltage Rejection	$I_O = 1\text{A}$ , $f = 120\text{Hz}$ , $V_{IN} - V_O = 3\text{V}$ , $V_{RIPPLE} = 1V_{PP}$	60	75		dB

# 1A L.D.O VOLTAGE REGULATOR

# LM1117

## For 2.5V Output Voltage

( $T_A=25^\circ\text{C}$ ,  $C_O = 10\mu\text{F}$  unless otherwise specified)

Symbol	Parameters	Condition	Min.	Typ.	Max.	Unit
$V_O$	Output Voltage	$V_{IN} = 4.0\text{V}$ , $I_O = 10\text{mA}$	2.475	2.5	2.525	V
$V_O$	Output Voltage	$V_{IN} = 4.0\text{V}$ to $12\text{V}$ , $I_O = 0\text{mA}$ to $1\text{A}$ ( $T_J = 0 \sim 125^\circ\text{C}$ )	2.450		2.550	V
$\Delta V_{LINE}$	Line Regulation	$I_O = 0\text{mA}$ , $V_{IN} = 4.0\text{V}$ to $12\text{V}$		0.1	0.2	%
$\Delta V_{LOAD}$	Load Regulation	$I_O = 0\text{mA}$ to $1\text{A}$ , $V_{IN} = 4.5\text{V}$		0.2	0.4	%
$V_{IN}$	Operating Input Voltage	$I_O = 100\text{mA}$			12	V
$I_D$	Quiescent Current	$V_{IN} - V_O = 5\text{V}$		5	10	mA
$I_O$	Current Limit	$V_{IN} - V_O = 5\text{V}$	1000	1250	1600	mA
$e_N$	Output Noise(% $V_O$ )	$B = 10\text{Hz}$ to $10\text{kHz}$ , $T_J = 25^\circ\text{C}$		100		$\mu\text{V}$
SVR	Supply Voltage Rejection	$I_O = 1\text{A}$ , $f = 120\text{Hz}$ , $V_{IN} - V_O = 3\text{V}$ , $V_{RIPPLE} = 1V_{PP}$	60	75		dB

## For 2.85V Output Voltage

( $T_A=25^\circ\text{C}$ ,  $C_O = 10\mu\text{F}$  unless otherwise specified)

Symbol	Parameters	Condition	Min.	Typ.	Max.	Unit
$V_O$	Output Voltage	$V_{IN} = 4.4\text{V}$ , $I_O = 10\text{mA}$	2.821	2.85	2.878	V
$V_O$	Output Voltage	$V_{IN} = 4.4\text{V}$ to $12\text{V}$ , $I_O = 0\text{mA}$ to $1\text{A}$ ( $T_J = 0 \sim 125^\circ\text{C}$ )	2.793		2.907	V
$\Delta V_{LINE}$	Line Regulation	$I_O = 0\text{mA}$ , $V_{IN} = 4.4$ to $12\text{V}$		0.1	0.2	%
$\Delta V_{LOAD}$	Load Regulation	$I_O = 0\text{mA}$ to $1\text{A}$ , $V_{IN} = 4.85\text{V}$		0.2	0.4	%
$V_{IN}$	Operating Input Voltage	$I_O = 100\text{mA}$			12	V
$I_D$	Quiescent Current	$V_{IN} - V_O = 5\text{V}$		5	10	mA
$I_O$	Current Limit	$V_{IN} - V_O = 5\text{V}$	1000	1250	1600	mA
$e_N$	Output Noise(% $V_O$ )	$B = 10\text{Hz}$ to $10\text{kHz}$ , $T_J = 25^\circ\text{C}$		100		$\mu\text{V}$
SVR	Supply Voltage Rejection	$I_O = 1\text{A}$ , $f = 120\text{Hz}$ , $V_{IN} - V_O = 3\text{V}$ , $V_{RIPPLE} = 1V_{PP}$	60	75		dB

# 1A L.D.O VOLTAGE REGULATOR

# LM1117

## For 3.3V Output Voltage

( $T_A=25^\circ\text{C}$ ,  $C_O = 10\mu\text{F}$  unless otherwise specified)

Symbol	Parameters	Condition	Min.	Typ.	Max.	Unit
$V_O$	Output Voltage	$V_{IN} = 4.8\text{V}$ , $I_O = 10\text{mA}$	3.267	3.3	3.333	V
$V_O$	Output Voltage	$V_{IN} = 4.8\text{V}$ to $12\text{V}$ , $I_O = 0\text{mA}$ to $1\text{A}$ ( $T_J = 0 \sim 125^\circ\text{C}$ )	3.234		3.366	V
$\Delta V_{LINE}$	Line Regulation	$I_O = 0\text{mA}$ , $V_{IN} = 4.8\text{V}$ to $12\text{V}$		0.1	0.2	%
$\Delta V_{LOAD}$	Load Regulation	$I_O = 0\text{mA}$ to $1\text{A}$ , $V_{IN} = 5.3\text{V}$		0.2	0.4	%
$V_{IN}$	Operating Input Voltage	$I_O = 100\text{mA}$			12	V
$I_D$	Quiescent Current	$V_{IN} - V_O = 5\text{V}$		5	10	mA
$I_O$	Current Limit	$V_{IN} - V_O = 5\text{V}$	1000	1250	1600	mA
$e_N$	Output Noise(% $V_O$ )	$B = 10\text{Hz}$ to $10\text{kHz}$ , $T_J = 25^\circ\text{C}$		100		$\mu\text{V}$
SVR	Supply Voltage Rejection	$I_O = 1\text{A}$ , $f = 120\text{Hz}$ , $V_{IN} - V_O = 3\text{V}$ , $V_{RIPPLE} = 1V_{PP}$	60	75		dB

## For 5.0V Output Voltage

( $T_A=25^\circ\text{C}$ ,  $C_O = 10\mu\text{F}$  unless otherwise specified)

Symbol	Parameters	Condition	Min.	Typ.	Max.	Unit
$V_O$	Output Voltage	$V_{IN} = 6.5\text{V}$ , $I_O = 10\text{mA}$	4.950	5.0	5.050	V
$V_O$	Output Voltage	$V_{IN} = 6.5\text{V}$ to $15\text{V}$ , $I_O = 0\text{mA}$ to $1\text{A}$ ( $T_J = 0 \sim 125^\circ\text{C}$ )	4.900		5.100	V
$\Delta V_{LINE}$	Line Regulation	$I_O = 0\text{mA}$ , $V_{IN} = 6.5\text{V}$ to $15\text{V}$		0.1	0.2	%
$\Delta V_{LOAD}$	Load Regulation	$I_O = 0\text{mA}$ to $1\text{A}$ , $V_{IN} = 7.0\text{V}$		0.2	0.4	%
$V_{IN}$	Operating Input Voltage	$I_O = 100\text{mA}$			12	V
$I_D$	Quiescent Current	$V_{IN} - V_O = 5\text{V}$		5	10	mA
$I_O$	Current Limit	$V_{IN} - V_O = 5\text{V}$	1000	1250	1600	mA
$e_N$	Output Noise(% $V_O$ )	$B = 10\text{Hz}$ to $10\text{kHz}$ , $T_J = 25^\circ\text{C}$		100		$\mu\text{V}$
SVR	Supply Voltage Rejection	$I_O = 1\text{A}$ , $f = 120\text{Hz}$ , $V_{IN} - V_O = 3\text{V}$ , $V_{RIPPLE} = 1V_{PP}$	60	75		dB



# 1A L.D.O VOLTAGE REGULATOR

# LM1117

For All Output Voltage

( $T_A=25^\circ\text{C}$ ,  $C_O = 10\mu\text{F}$  unless otherwise specified)

Symbol	Parameters	Condition	Min.	Typ.	Max.	Unit
$V_D$	Dropout Voltage	$I_O = 100\text{mA}$		1.0	1.1	V
		$I_O = 500\text{mA}$		1.1	1.2	V
		$I_O = 1\text{A}$		1.2	1.3	V
	Temperature Stability			0.5		%
	Long Term Stability	1000 hrs, $T_J = 125^\circ\text{C}$		0.3		%
	Thermal Regulation	$T_A = 25^\circ\text{C}$ 30ms Pulse		0.003		%/W

## TYPICAL APPLICATION CIRCUIT

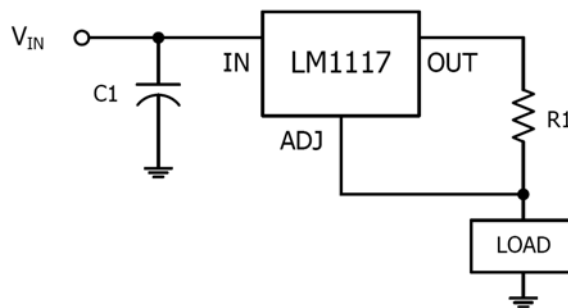


Fig.1 1A Current Output

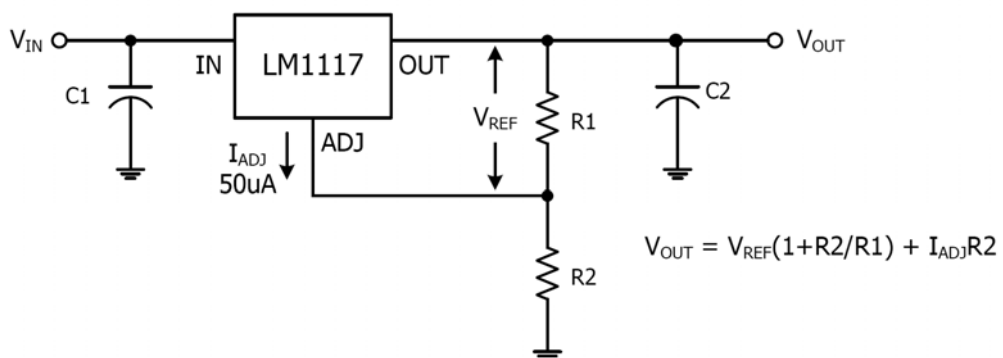


Fig.2 Typical Adjustable Regulator

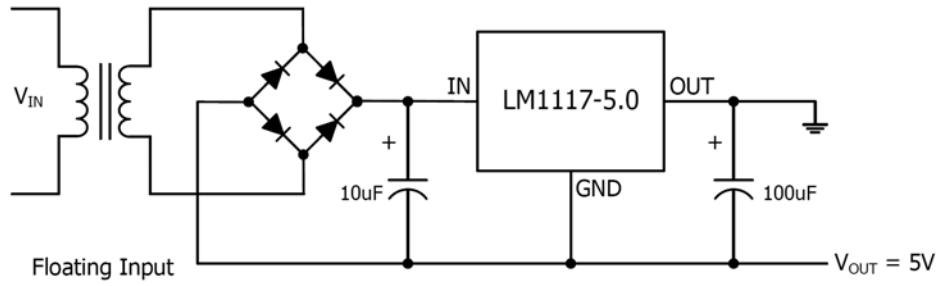


Fig.3 Negative Supply

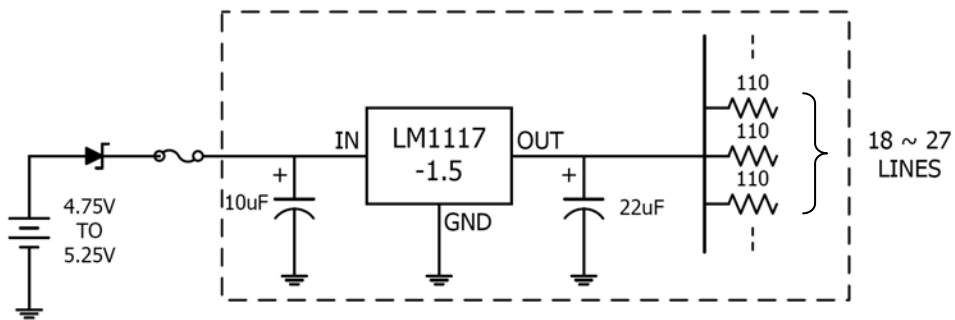


Fig.4 Active Terminator for SCSI-2BUS

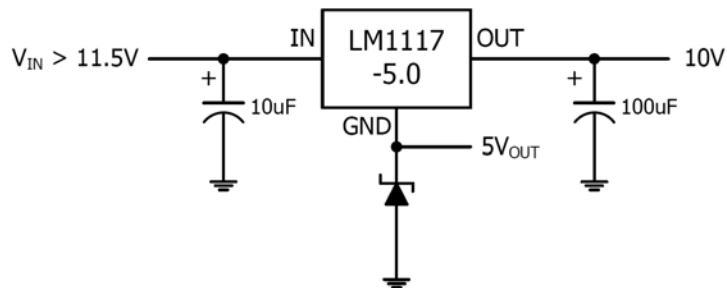


Fig.5 Voltage Regulator with Reference

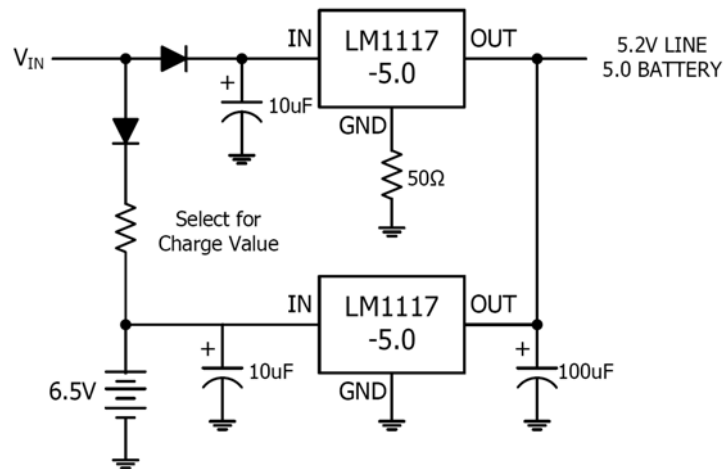
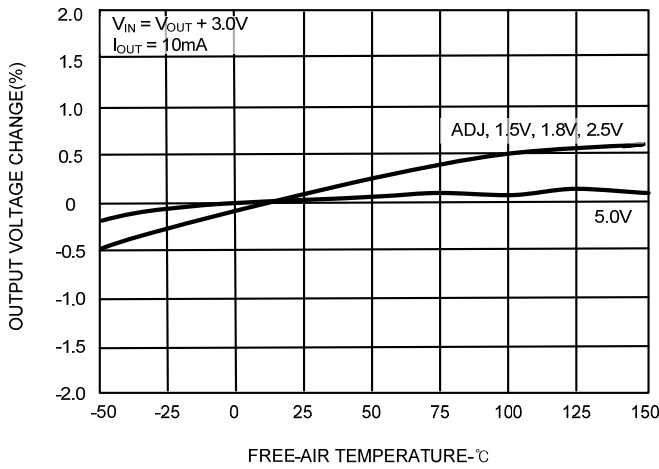
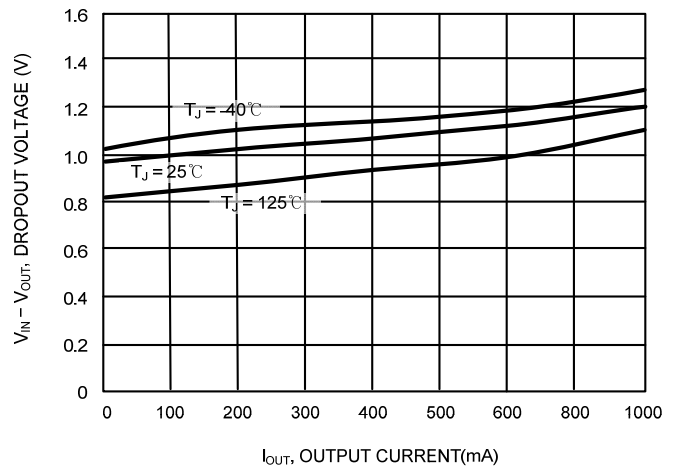


Fig.6 Battery Backed-up Regulated Supply

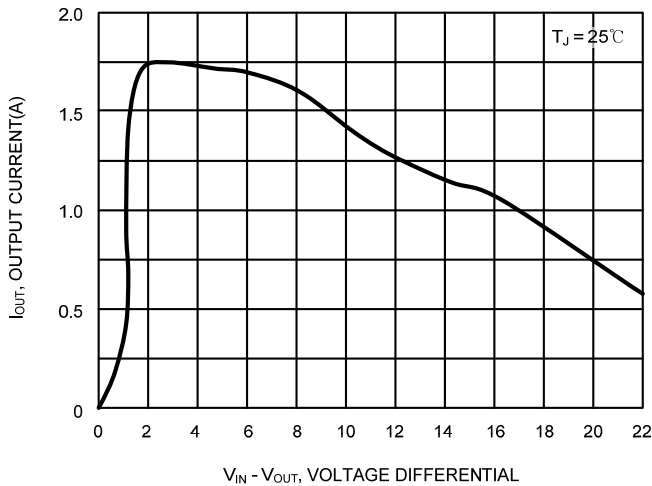
## TYPICAL OPERATING CHARACTERISTICS



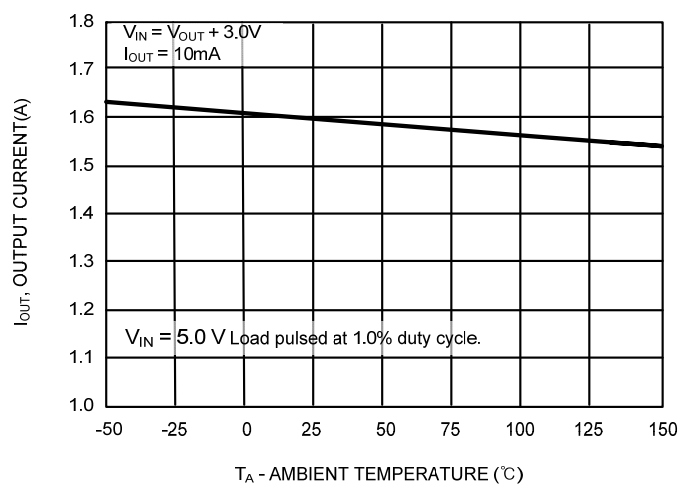
**Fig.7 OUTPUT VOLTAGE CHANGE VS TEMPERATURE**



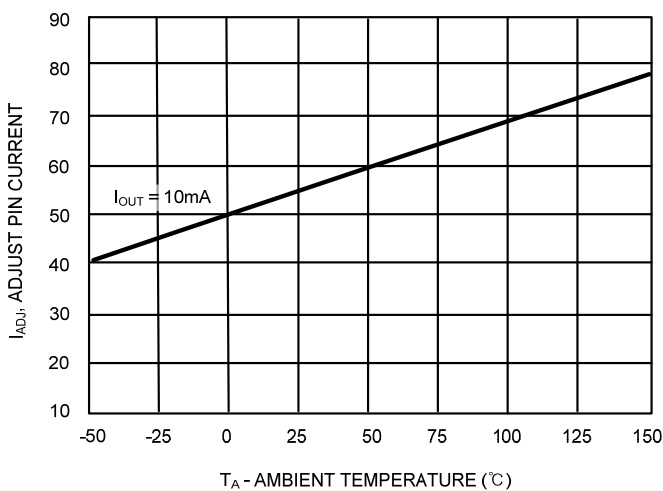
**Fig.8 DROPOUT VOLTAGE VS OUTPUT CURRENT**



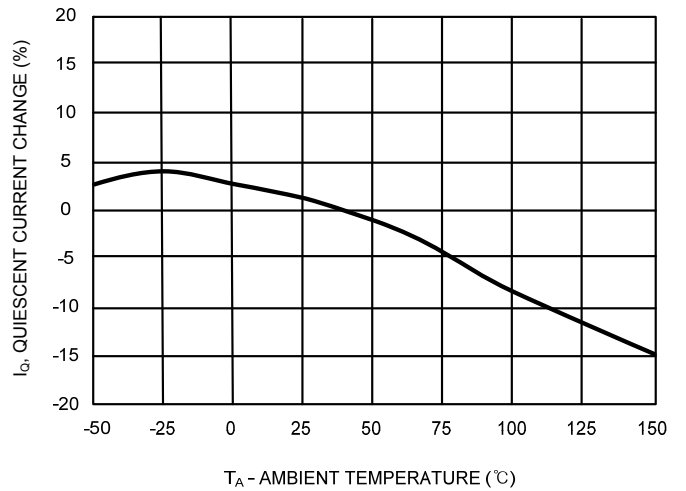
**Fig.9 OUTPUT SHORT CIRCUIT CURRENT VS DIFFERENTIAL VOLTAGE**



**Fig.10 OUTPUT SHORT CIRCUIT CURRENT VS TEMPERATURE**



**Fig.11 ADJ PIN CURRENT VS TEMPERATURE**



**Fig.12 QUIESCENT CURRENT CHANGE VS TEMPERATURE**

## APPLICATION INFORMATION

### Maximum Output Current Capability

The LM1117 can deliver a continuous current of 1A over the full operating junction temperature range. However, the output current is limited by the restriction of power dissipation which differs from packages. A heat sink may be required depending on the maximum power dissipation and maximum ambient temperature of application. With respect to the applied package, the maximum output current of 1A may be still undeliverable due to the restriction of the power dissipation of LM1117. Under all possible conditions, the junction temperature must be within the range specified under operating conditions. The temperatures over the device are given by:

$$T_C = T_A + P_D \times \theta_{CA} / \quad T_J = T_C + P_D \times \theta_{JC} / \quad T_J = T_A + P_D \times \theta_{JA}$$

where  $T_J$  is the junction temperature,  $T_C$  is the case temperature,  $T_A$  is the ambient temperature,  $P_D$  is the total power dissipation of the device,  $\theta_{CA}$  is the thermal resistance of case-to-ambient,  $\theta_{JC}$  is the thermal resistance of junction-to-case, and  $\theta_{JA}$  is the thermal resistance of junction to ambient. The total power dissipation of the device is given by:

$$\begin{aligned} P_D &= P_{IN} - P_{OUT} = (V_{IN} \times I_{IN}) - (V_{OUT} \times I_{OUT}) \\ &= (V_{IN} \times (I_{OUT} + I_{GND})) - (V_{OUT} \times I_{OUT}) = (V_{IN} - V_{OUT}) \times I_{OUT} + V_{IN} \times I_{GND} \end{aligned}$$

where  $I_{GND}$  is the operating ground current of the device which is specified at the Electrical Characteristics. The maximum allowable temperature rise ( $T_{Rmax}$ ) depends on the maximum ambient temperature ( $T_{Amax}$ ) of the application, and the maximum allowable junction temperature ( $T_{Jmax}$ ):

$$T_{Rmax} = T_{Jmax} - T_{Amax}$$

The maximum allowable value for junction-to-ambient thermal resistance,  $\theta_{JA}$ , can be calculated using the formula:

$$\theta_{JA} = T_{Rmax} / P_D = (T_{Jmax} - T_{Amax}) / P_D$$

LM1117 is available in SOT223, TO252 and SOT89 packages. The thermal resistance depends on amount of copper area or heat sink, and on air flow. If the maximum allowable value of  $\theta_{JA}$  calculated above is over 137°C/W for SOT-223 package, over 105 °C/W for TO252 package, over 315 °C/W for SOT-89 package, no heat sink is needed since the package can dissipate enough heat to satisfy these requirements. If the value for allowable  $\theta_{JA}$  falls near or below these limits, a heat sink or proper area of copper plane is required. In summary, the absolute maximum ratings of thermal resistances are as follow:

### Absolute Maximum Ratings of Thermal Resistance

Characteristic	Symbol	Rating	Unit
Thermal Resistance Junction-To-Ambient / SOT-223	$\theta_{JA-SOT-223}$	137	°C/W
Thermal Resistance Junction-To-Ambient / TO-252	$\theta_{JA-TO-252}$	105	°C/W
Thermal Resistance Junction-To-Ambient / SOT-89	$\theta_{JA-SOT-89}$	315	°C/W

No heat sink / No air flow / No adjacent heat source / 0.066 inch<sup>2</sup> copper area. ( $T_A=25^\circ\text{C}$ )

## X-ON Electronics

Largest Supplier of Electrical and Electronic Components

*Click to view similar products for [LDO Voltage Regulators](#) category:*

*Click to view products by [HTC Korea](#) manufacturer:*

Other Similar products are found below :

[AP7363-SP-13](#) [L79M05TL-E](#) [AP7362-HA-7](#) [PT7M8202B12TA5EX](#) [TCR3DF185,LM\(CT](#) [TCR3DF45,LM\(CT](#) [TLE4473G V52](#) [059985X](#)  
[NCP4687DH15T1G](#) [701326R](#) [NCV8170AXV250T2G](#) [AP7315-25W5-7](#) [AP2111H-1.2TRG1](#) [ZLDO1117QK50TC](#) [AZ1117ID-ADJTRG1](#)  
[TCR3DG12,LF](#) [MIC5514-3.3YMT-T5](#) [SCD7912BTG](#) [NCP154MX180270TAG](#) [SCD33269T-5.0G](#) [NCV8170BXV330T2G](#)  
[NCV8170BMX330TCG](#) [NCV8170AMX120TCG](#) [NCP706ABMX300TAG](#) [NCP153MX330180TCG](#) [NCP114BMX075TCG](#) [MC33269T-3.5G](#)  
[CAT6243-ADJCMT5T](#) [TCR3DG33,LF](#) [TCR4DG35,LF](#) [TAR5S15U\(TE85L,F\)](#) [TAR5S18U\(TE85L,F\)](#) [TCR3UG19A,LF](#) [TCR4DG105,LF](#)  
[MPQ2013AGG-5-P](#) [NCV8170AMX360TCG](#) [TLE4268GSXUMA2](#) [NCP715SQ15T2G](#) [MIC5317-3.0YD5-T5](#) [NCV563SQ18T1G](#)  
[NCP715MX30TBG](#) [NCV8702MX25TCG](#) [NCV8170BXV120T2G](#) [MIC5317-1.2YD5-T5](#) [NCV8170AMX150TCG](#) [NCV8170BMX150TCG](#)  
[AP2213D-3.3TRG1](#) [NCV8170BMX120TCG](#) [NCV8170BMX310TCG](#) [NCV8170BMX360TCG](#)