

## 3.0A Very Low Dropout Linear Regulator

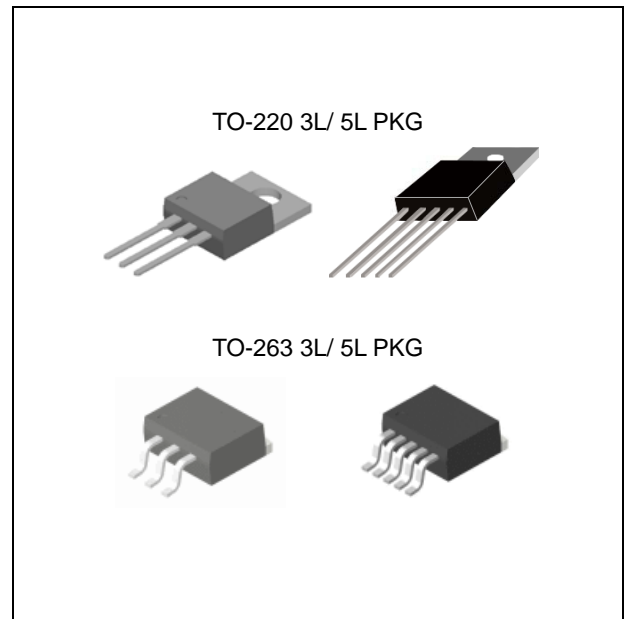
## LM29300/29301/29302

### FEATURES

- High Current Capability 3.0A
- Low Dropout Voltage 370mV (Typical)
- Low Ground Current
- Accurate 1% Guaranteed Initial Tolerance
- Extremely Fast Transient Response
- Reverse-Battery and "Load Dump" Protection
- Zero-Current Shutdown Mode (5-Pin Version)
- Error Flag Signals Output out-of-Regulation (LM29301)
- Also Characterized for Smaller Loads with Industry Leading Performance specifications
- Fixed Voltage and Adjustable Versions
- Moisture Sensitivity Level 3

### APPLICATION

- Battery Powered Equipment
- High-Efficiency "Green" Computer System
- Automotive Electronics
- High-Efficiency Linear Power Supplies
- High-Efficiency Post-Regulator for Switching Supply



### ORDERING INFORMATION

Device	Package
LM29300T-X.X	TO-220 3L / 5L
LM29301T-X.X	
LM29302T	
LM29300R-X.X	TO-263 3L / 5L
LM29301R-X.X	
LM29302R	

X.X = Output Voltage = 1.5, 1.8, 2.5, 3.0, 3.3, 5.0, 12

### DESCRIPTION

The LM29300, LM29301 and LM29302 are high current, high accuracy, and low-dropout voltage regulators. Using process with a PNP pass element, these regulators feature 370mV (full load) dropout voltages and very low ground current. These devices also find applications in lower current, low dropout-critical systems, where their tiny dropout voltage and ground current values are important attributes.

The LM29300, LM29301 and LM29302 are fully protected against over current faults, reversed input polarity, reversed lead insertion, over temperature operation, and positive and negative transient voltage spikes. LM29301 features logic level enable control and an error flag which signals whenever the output falls out of regulation. On the LM29301 and LM29302, the ENABLE pin may be tied to  $V_{in}$  if it is not required for ON/OFF control.

### ABSOLUTE MAXIMUM RATINGS

CHARACTERISTIC	SYMBOL	MIN.	MAX.	UNIT
Input Supply Voltage <sup>(Note 1)</sup>	$V_{IN}$	-20	60	V
Enable Input Voltage <sup>(Note 1)</sup>	$V_{EN}$	-20	60	V
Lead Temperature (Soldering, 5 sec)	$T_{SOL}$	-	260	°C
Storage Temperature Range	$T_{STG}$	-65	150	°C

Note 1. Maximum positive supply voltage of 60V must be of limited duration (<100msec) and duty cycle( $\leq 1\%$ ). The maximum continuous supply voltage is 26V.

## 3.0A Very Low Dropout Linear Regulator

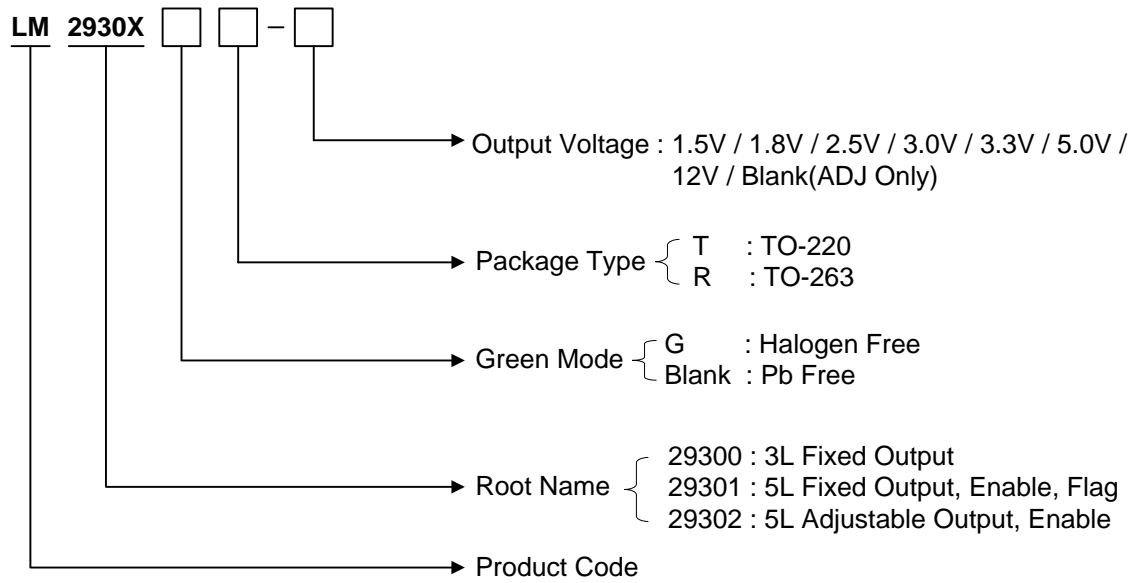
## LM29300/29301/29302

### RECOMMENDED OPERATING RATINGS <sup>(Note 2)</sup>

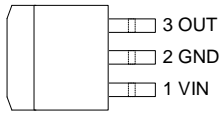
CHARACTERISTIC	SYMBOL	MIN.	MAX.	UNIT
Operating Input Voltage	$V_{IN}$	-	26	V
Operating Enable Input Voltage	$V_{EN}$	-	26	V
Operating Junction Temperature	$T_J$	-40	125	°C

### ORDERING INFORMATION

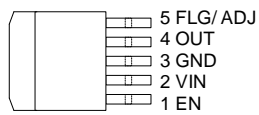
VOUT	Package	Order No.	Description	Supplied As	Status
ADJ	TO-220 5L	LM29302T	3.0A, Adjustable, Enable	Tube	Active
	TO-263 5L	LM29302R	3.0A, Adjustable, Enable	Reel	Active
1.5 V	TO-220 3L	LM29300T-1.5	3.0A, Fixed	Tube	Contract Us
	TO-220 5L	LM29301T-1.5	3.0A, Fixed, Enable, Flag	Tube	Contract Us
	TO-263 3L	LM29300R-1.5	3.0A, Fixed	Reel	Contract Us
	TO-263 5L	LM29301R-1.5	3.0A, Fixed, Enable, Flag	Reel	Contract Us
1.8 V	TO-220 3L	LM29300T-1.8	3.0A, Fixed	Tube	Contract Us
	TO-220 5L	LM29301T-1.8	3.0A, Fixed, Enable, Flag	Tube	Contract Us
	TO-263 3L	LM29300R-1.8	3.0A, Fixed	Reel	Contract Us
	TO-263 5L	LM29301R-1.8	3.0A, Fixed, Enable, Flag	Reel	Contract Us
2.5 V	TO-220 3L	LM29300T-2.5	3.0A, Fixed	Tube	Contract Us
	TO-220 5L	LM29301T-2.5	3.0A, Fixed, Enable, Flag	Tube	Contract Us
	TO-263 3L	LM29300R-2.5	3.0A, Fixed	Reel	Contract Us
	TO-263 5L	LM29301R-2.5	3.0A, Fixed, Enable, Flag	Reel	Contract Us
3.0 V	TO-220 3L	LM29300T-3.0	3.0A, Fixed	Tube	Contract Us
	TO-220 5L	LM29301T-3.0	3.0A, Fixed, Enable, Flag	Tube	Contract Us
	TO-263 3L	LM29300R-3.0	3.0A, Fixed	Reel	Contract Us
	TO-263 5L	LM29301R-3.0	3.0A, Fixed, Enable, Flag	Reel	Contract Us
3.3 V	TO-220 3L	LM29300T-3.3	3.0A, Fixed	Tube	Contract Us
	TO-220 5L	LM29301T-3.3	3.0A, Fixed, Enable, Flag	Tube	Contract Us
	TO-263 3L	LM29300R-3.3	3.0A, Fixed	Reel	Contract Us
	TO-263 5L	LM29301R-3.3	3.0A, Fixed, Enable, Flag	Reel	Contract Us
5.0 V	TO-220 3L	LM29300T-5.0	3.0A, Fixed	Tube	Contract Us
	TO-220 5L	LM29301T-5.0	3.0A, Fixed, Enable, Flag	Tube	Contract Us
	TO-263 3L	LM29300R-5.0	3.0A, Fixed	Reel	Contract Us
	TO-263 5L	LM29301R-5.0	3.0A, Fixed, Enable, Flag	Reel	Contract Us
12 V	TO-220 3L	LM29300T-12	3.0A, Fixed	Tube	Contract Us
	TO-220 5L	LM29301T-12	3.0A, Fixed, Enable, Flag	Tube	Contract Us
	TO-263 3L	LM29300R-12	3.0A, Fixed	Reel	Contract Us
	TO-263 5L	LM29301R-12	3.0A, Fixed, Enable, Flag	Reel	Contract Us



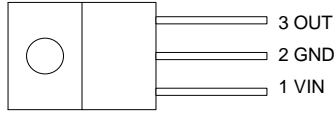
## PIN CONFIGURATION



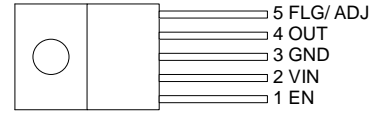
TO-263 3L



TO-263 5L



TO-220 3L



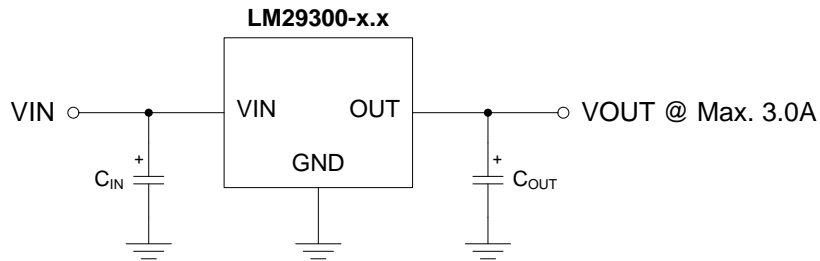
TO-220 5L

## PIN DESCRIPTION

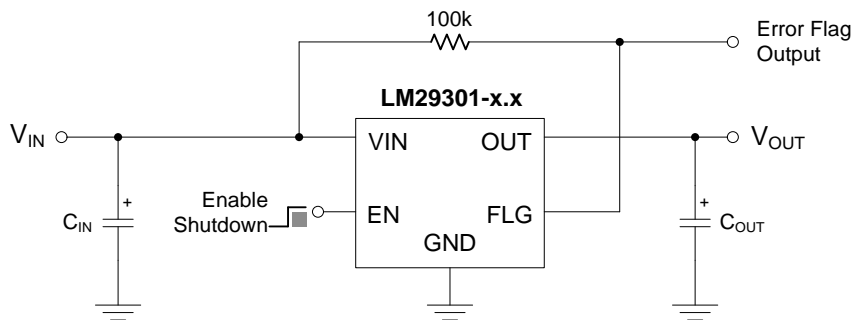
Pin No.			Pin Name	Pin Function
LM29300 (TO-220-3L/ TO-263-3L)	LM29301 (TO-220-5L/ TO-263-5L)	LM29302 (TO-220-5L/ TO-263-5L)		
-	1	1	EN	Chip Enable
1	2	2	VIN	Input Supply
2	3	3	GND	Ground
3	4	4	OUT	Output Voltage
-	5	-	FLG	Error Flag Output
-	-	5	ADJ	Output Adjust

## TYPICAL APPLICATION CIRCUITS

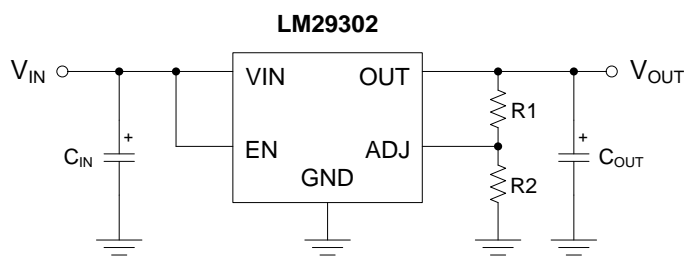
- Typical Fixed Output Application



- Typical Fixed Output Application with Error Flag



- Typical Adjustable Output Application



$$V_{OUT} = V_{REF} \times [1 + (R1/R2)] *$$

\* For best results, the total series resistance should be small enough to pass the minimum regulator load current.

## ELECTRICAL CHARACTERISTICS

$I_{OUT}=100\text{mA}$ ,  $T_J=25^\circ\text{C}$ , unless otherwise specified. **Bold** values are guaranteed across the operating temperature range. Adjustable versions are programmed to 5.0V.

### LM29300/29301/29302 Common Specification

Symbol	Parameter	Condition	Min	Typ	Max	Units
$V_{OUT}$	Output Voltage	$I_O = 10\text{mA}$	-1		1	%
		$10\text{mA} \leq I_O \leq I_{FULLLOAD}^{(Note\ 2)}$ , $(V_{OUT}+1\text{V}) \leq V_{IN} \leq 26\text{V}$	<b>-2</b>		<b>2</b>	
$\Delta V_{LINE}$	Line Regulation	$I_O = 10\text{mA}$ , $(V_{OUT}+1\text{V}) \leq V_{IN} \leq 26\text{V}$		0.06	0.5	%
$\Delta V_{LOAD}$	Load Regulation	$V_{IN} = V_{OUT} + 5\text{V}$ , $10\text{mA} \leq I_{OUT} \leq I_{FULLLOAD}^{(Note\ 2,6)}$		0.2	1	%
$\Delta V_O/\Delta T$	Output Voltage Temp. Coefficient	Output Voltage <sup>(Note 6)</sup> , Temp. Coefficient		<b>20</b>	<b>100</b>	ppm/ $^\circ\text{C}$
$V_{DROP}$	Dropout Voltage	$\Delta V_{OUT} = -1\%$ , <sup>(Note 3)</sup> $I_O = 100\text{mA}$ $I_O = 1.5\text{A}$ $I_O = 3.0\text{A}$		80 250 370	<b>175</b> <b>600</b>	mV
$I_{GND}$	Ground Current	$I_O = 1.5\text{A}$ , $V_{IN} = V_{OUT} + 1\text{V}$ $I_O = 3.0\text{A}$		10 37	<b>35</b>	mA
$I_{GND\_DO}$	Ground Pin Current at Dropout	$V_{IN} = 0.5\text{V}$ less than specified $V_{OUT}$ , $I_{OUT} = 10\text{mA}$		1.7		mA
$I_{LIMIT}$	Current Limit	$V_{OUT} = 0\text{V}$ <sup>(Note 4)</sup>		4.5	<b>5.0</b>	A
$e_n$	Output Noise Voltage (10Hz to 100kHz) $I_L = 100\text{mA}$	$C_L = 10\mu\text{F}$ $C_L = 33\mu\text{F}$		400 260		$\mu\text{V}_{RMS}$

### Flag Output (Error Comparator) LM29301

$I_{FLG\_leak}$	Output Leakage Current	$V_{OH} = 26\text{V}$		0.01	1.0 <b>2.0</b>	$\mu\text{A}$
$V_{FLG\_LOW}$	Output Low Voltage	$V_{IN} = 0.5\text{V}$ less than specified $V_{OUT}$ , $I_{FL} = 250\mu\text{A}$		220	300 <b>400</b>	mV
$V_{FLG\_TH}$	Upper Threshold Voltage				99.2	% of $V_{OUT}$
$V_{FLG\_TL}$	Lower Threshold Voltage		93			% of $V_{OUT}$
$\Delta V_{FLG}$	Hysteresis			1		% of $V_{OUT}$

#### Reference LM29302

$V_{REF}$	Reference Voltage		1.228 <b>1.215</b>	1.24	1.252 <b>1.265</b>	V
		(Note 8)	<b>1.203</b>		<b>1.277</b>	V
$I_{ADJ}$	Adjust Pin Bias Current			40	80 <b>120</b>	nA
$\Delta V_{REF}/\Delta T$	Reference Voltage Temp. Coefficient	(Note 7)		20		ppm/°C
$\Delta I_{ADJ}/\Delta T$	Adjust Pin Bias Current Temp. Coefficient			0.1		nA/°C

#### Enable Input LM29301 / LM29302

$V_{EN}$	Enable Input Voltage	Logic Low (Off) Logic High (On)	<b>2.4</b>		<b>0.8</b>	V
$I_{EN}$	Enable Pin Input Current	$V_{EN}=26V$		100	600 750	$\mu A$
		$V_{EN}=0.8V$			2.0 <b>4</b>	$\mu A$
$I_{OUT\_SD}$	Regulator Output Current in Shutdown	(Note 10)		10	<b>500</b>	$\mu A$

- Note 1. Maximum positive supply voltage of 60V must be of limited duration (<100msec) and duty cycle( $\leq 1\%$ ). The maximum continuous supply voltage is 26V.
- Note 2. Full load current ( $I_{FL}$ ) is defined as 3.0A.
- Note 3. Dropout voltage is defined as the input-to-output differential when the output voltage drops to 99% of its nominal value with  $V_{OUT}$  to  $V_{IN}$ .
- Note 4.  $V_{IN} = V_{OUT}(\text{nominal}) + 1V$ . For example, use  $V_{IN} = 4.3V$  for a 3.3V regulator or use 6V for a 5V regulator. Employ pulse-testing procedures to minimize temperature rise.
- Note 5. Ground pin current is the regulator quiescent current. The total current drawn from the source is the sum of the load current plus the ground pin current.
- Note 6. Output voltage temperature coefficient is defined as the worst case voltage change divided by the total temperature range.
- Note 7. Thermal regulation is defined as the change in output voltage at a time T after a change in power dissipation is applied, excluding load or line regulation effects. Specifications are for a 200mA load pulse at  $V_{IN} = 20V$  (a 4W pulse) for T= 10ms.
- Note 8.  $V_{REF} \leq V_{OUT} \leq (V_{IN} - 1V)$ ,  $2.3V \leq V_{IN} \leq 26V$ ,  $10mA < I_L < I_{FULLLOAD}$ ,  $T_J < T_J \text{ Max}$ .
- Note 9. Comparator thresholds are expressed in terms of a voltage differential at the Adjust terminal below the nominal reference voltage measured at 6V input. To express these thresholds in terms of output voltage change, multiply by the error amplifier gain =  $V_{OUT} / V_{REF} = (R1 + R2)/R2$ . For example, at a programmed output voltage of 5V, the Error output is guaranteed to go low when the output drops by  $95mV \times 5V / 1.240V = 384mV$ . Thresholds remain constant as a percent of  $V_{OUT}$  as  $V_{OUT}$  is varied, with the dropout warning occurring at typically 5% below nominal, 7.7% guaranteed.
- Note 10.  $V_{EN} \leq 0.8V$  and  $V_{IN} \leq 26V$ ,  $V_{OUT} = 0$ .
- Note 11. When used in dual supply system where the regulator load is returned to a negative supply, the output voltage must be diode clamped to ground.

#### APPLICATION INFORMATION

The LM29300 are high performance low-dropout voltage regulators suitable for all moderate to high current voltage regulator applications. Their 370mV dropout voltage at full load makes them especially valuable in battery powered systems and as high efficiency noise filters in "post-regulator" applications. Unlike older NPN-pass transistor designs, dropout performance of the PNP output of these devices is limited merely by the low  $V_{CE}$  saturation voltage.

The LM29300 family of regulators is fully protected from damage due to fault conditions. Current Limiting is provided. This limiting is linear; output current under overload conditions is constant. Thermal shutdown disables the device when the die temperature exceeds the 125°C maximum safe operating temperature. Transient protection allows device survival even when the input voltage spikes between -20V and +60V. When the input voltage exceeds about 28V to 35V, the over voltage sensor temporarily disables the regulator.

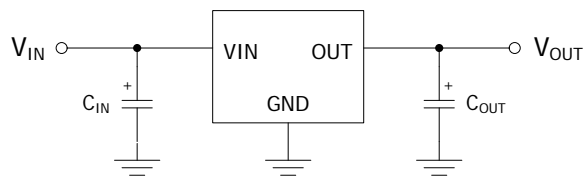


Figure 1. Linear regulators require only two capacitors for operation.

#### Thermal Design

Linear regulators are simple to use. The most complicated design parameters to consider are thermal characteristics. Thermal design requires the following application-specific parameters:

- Maximum Ambient Temperature,  $T_A$
- Output Current,  $I_{OUT}$
- Output Voltage,  $V_{OUT}$
- Input Voltage,  $V_{IN}$

First, we calculate the power dissipation of the regulator from these numbers and the device parameters from this datasheet.

$$P_D = I_{OUT}(1.01V_{IN} - V_{OUT})$$

Where the ground current is approximated by 1% of  $I_{OUT}$ . Then the heat sink thermal resistance is determined with this formula:

$$\theta_{SA} = \frac{T_{JMAX} - T_A}{P_D} - (\theta_{JC} + \theta_{CS})$$

Where  $T_{JMAX} \leq 125^\circ\text{C}$  and  $\theta_{CS}$  is between 0 and  $2^\circ\text{C}/\text{W}$ .



#### Capacitor Requirements

For stability and minimum output noise, a capacitor on the regulator output is necessary. The value of this capacitor is dependent upon the output current; lower currents allow smaller capacitors. LM29300 regulators are stable with the 10µF minimum capacitor values at full load. Where the regulator is powered from a source with a high AC impedance, a 0.1µF capacitor connected between input and GND is recommended. This capacitor should have good characteristics to above 250kHz.

#### Minimum Load Current

The LM29300 regulators are specified between finite loads. If the output is too small, leakage currents is too small, leakage currents dominate and the output voltage rises. The 7mA minimum load current swamps any expected leakage current across the operating temperature range.

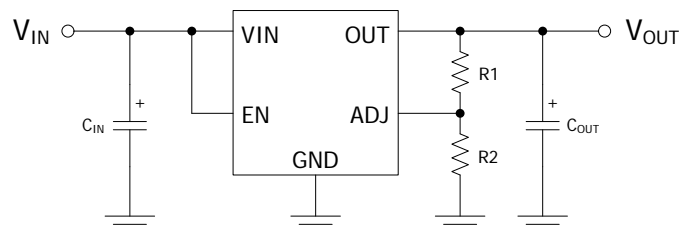
#### Adjustable Regulator Design

The adjustable regulator versions, LM29302 allows programming the output voltage anywhere between 1.24V and the 25V maximum operating rating of the family.

Two resistors are used and their values are calculated by:

$$R1=R2\left(\frac{V_{OUT}}{V_{REF}} - 1\right)$$

Where  $V_{OUT}$  is desired output voltage, Figure 2 shows component definition. Applications with widely varying load currents may scale the resistors to draw the minimum load current required for proper operation.



$$V_{OUT} = 1.240 \times [1 + (R1/R2)]$$

Figure 2. Adjustable Regulator with Resistors

#### Error Flag

LM29301 versions feature and Error Flag, which looks at the output voltage and signals an error condition when this voltage drops 5% below its expected value. The error flag is an open-collector output that pulls low under fault conditions. It may sink 10mA. Low output voltage signifies a number of possible problems, including an over-current fault (the device is in current limit) and low input voltage. The flag output is inoperative during over temperature shutdown conditions.

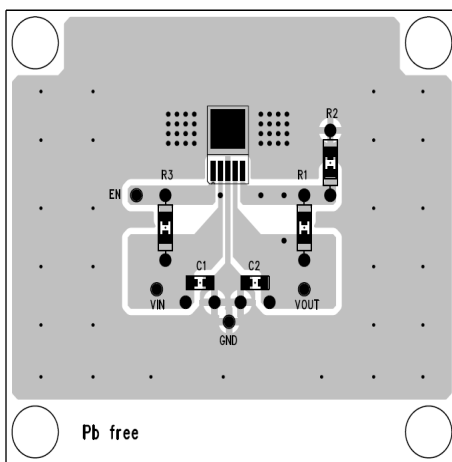
#### Enable input

LM29301 and LM29302 versions feature an enable (EN) input that allows ON/OFF control of the device. Special design allows "zero" current drain when the device is disabled—only microamperes of leakage current flows. The EN input has TTL/CMOS compatible thresholds for simple interfacing with logic, or may be directly tied to  $\leq 30V$ . Enabling the regulator requires approximately  $20\mu A$  of current.

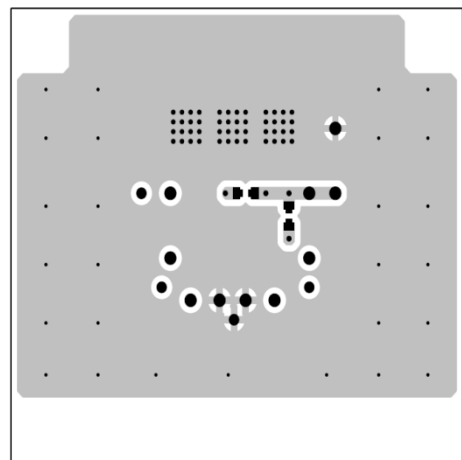
#### PCB Guide

- Layout example

Top Layout



Bottom Layout



**TYPICAL OPERATING CHARACTERISTICS**

T.B.D.

### REVISION NOTICE

The description in this datasheet is subject to change without any notice to describe its electrical characteristics properly.

## X-ON Electronics

Largest Supplier of Electrical and Electronic Components

*Click to view similar products for [LDO Voltage Regulators](#) category:*

*Click to view products by [HTC Korea](#) manufacturer:*

Other Similar products are found below :

[M38D29FFHP#U1](#) [702103A](#) [717726C](#) [742457H](#) [MP20051DN-LF-Z](#) [R5F111PGGFB#30](#) [AP7363-SP-13](#) [NCP103AMX285TCG](#)  
[NCV8664CST33T3G](#) [NCV8752AMX28TCG](#) [L9454](#) [AP7362-HA-7](#) [LX13043CLD](#) [TCR3DF185,LM\(CT](#) [TCR3DF24,LM\(CT](#)  
[TCR3DF285,LM\(CT](#) [TCR3DF31,LM\(CT](#) [TCR3DF45,LM\(CT](#) [TLF4949EJ](#) [L9708](#) [L970813TR](#) [030014BB](#) [059985X](#) [EAN61387601](#)  
[EAN61573601](#) [NCP121AMX173TCG](#) [NCP4687DH15T1G](#) [NCV8703MX30TCG](#) [701326R](#) [702087BB](#) [755078E](#) [TCR2EN28,LF\(S](#)  
[LM1117DT-1.8/NO](#) [LT1086CM#TRPBF](#) [AZ1085S2-1.5TRE1](#) [MAX15101EWL+T](#) [NCV8170AXV250T2G](#) [SCD337BTG](#)  
[TCR3DF27,LM\(CT](#) [TCR3DF19,LM\(CT](#) [TCR3DF125,LM\(CT](#) [TCR2EN18,LF\(S](#) [MAX15103EWL+T](#) [TS2937CZ-5.0 C0](#) [MAX8878EUK30-](#)  
[T](#) [MAX663CPA](#) [NCV4269CPD50R2G](#) [NCV8716MT30TBG](#) [AZ1117IH-1.2TRG1](#) [MP2013GQ-P](#)