

3A 27V Synchronous Buck Converter

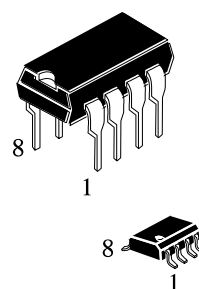
(compatible to MP2307)

Description

The HT2307A is a monolithic synchronous buck regulator. The device integrates 90 mΩ MOSFETS that provide 3A continuous load current over a wide operating input voltage of 4.5V to 27V. Current mode control provides fast transient response and cycle-by-cycle current limit. An adjustable soft-start prevents inrush current at turn on.

Features

- 3A Output Current
- Wide 4.5V to 27V Operating Input Range
- Fixed 340KHZ Frequency
- Integrated Power MOSFET switches
- Output Adjustable from 0.925V to 20V
- Up to 95% Efficiency
- Programmable Soft-Start
- Stable with Low ESR Ceramic Output Capacitors
- Cycle by Cycle Over Current Protection
- Short Circuit Protection
- Input Under Voltage Lockout
- Package : ESOP 8L



ORDERING INFORMATION
 HT2307ANZ DIP8

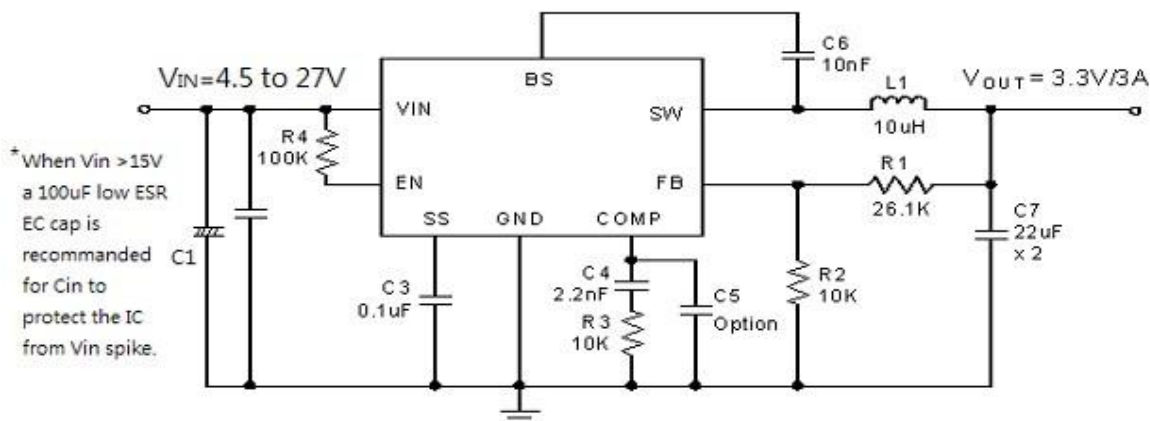
HT2307ARZ ESOP8

$T_A = -40^\circ$ to 85°C for all packages.

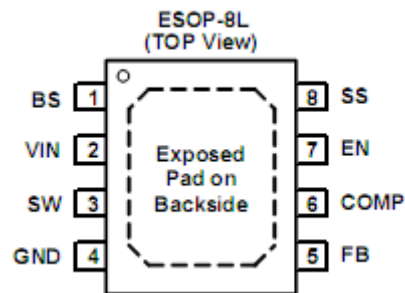
Applications

- Distributed Power Systems
- Networking Systems
- FPGA, DSP, ASIC Power Supplies
- Green Electronics/ Appliances
- Notebook Computers

Typical Application Circuit



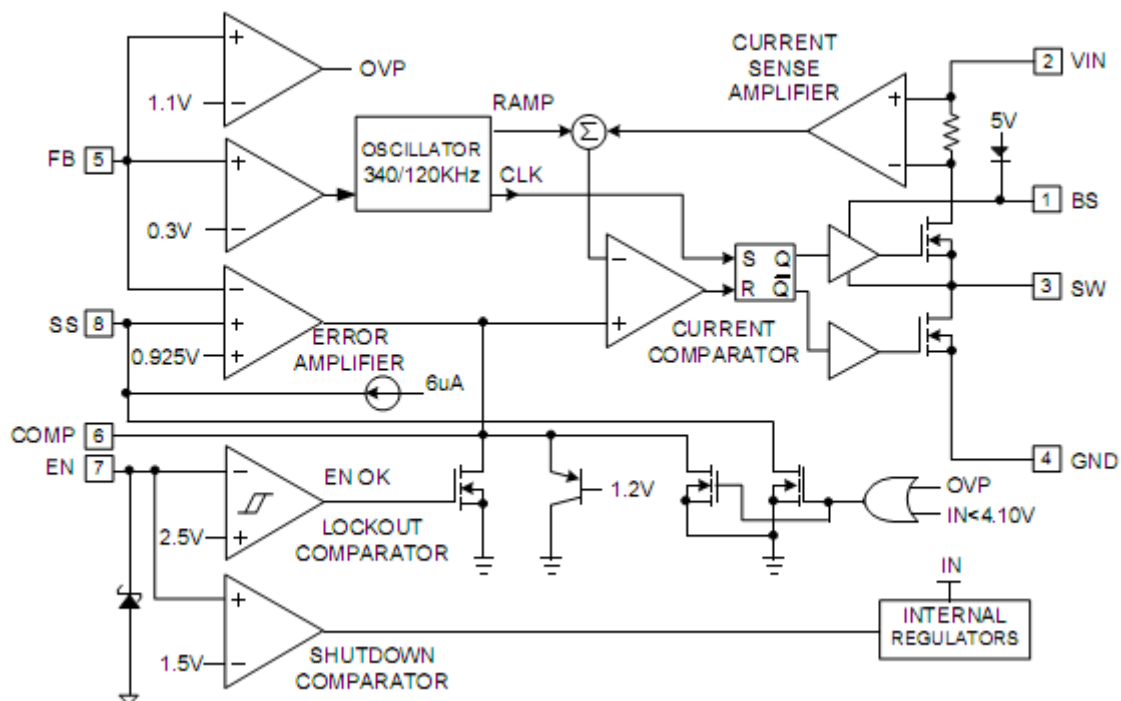
Pin Assignments



Pin Descriptions

Pin Number	Name	Description
1	BS	Bootstrap. This pin acts as the positive rail for the high-side switch's gate driver. Connect a 0.01uF capacitor between BS and SW.
2	VIN	Input Supply. Bypass this pin to GND with a low ESR capacitor. See Input Capacitor in the Application Information section.
3	SW	Switch Output. Connect this pin to the switching end of the inductor.
4	GND	Ground.
5	FB	Feedback Input. The voltage at this pin is regulated to 0.925V. Connect to the resistor divider between output and ground to set
6	COMP	Compensation Pin. See Stability Compensation in the Application Information section.
7	EN	Enable Input. When higher than 2.7V, this pin turns the IC on. When lower than 1.1V, this pin turns the IC off. Output voltage is discharged when the IC is off. This pin should not be left open. Recommend to put
8	SS	Soft-Start Control Input. SS controls the soft-start period. Connect a capacitor from SS to GND to set the soft-start period. A 0.1uF capacitor sets the soft-start period to 13ms. To disable the soft-start
	Exposed Pad	Exposed Pad. Need to connect to GND pin.

Block Diagram



Absolute Maximum Ratings

Parameter	Value	Unit
Input Supply Voltage	-0.3 to 30	V
SW Voltage	-0.3 to $V_{IN} + 0.3$	V
BS Voltage	$V_{SW} - 0.3$ to $V_{SW} + 6$	V
EN, FB, COMP Voltage	-0.3 to 5	V
Continuous SW Current	Internally limited	A
Junction to Ambient Thermal Resistance (θ_{JA}) (Test on Approximately 3 in ² Copper Area 1oz copper FR4 board)	20	°C/W
Junction to Ambient Case Resistance (θ_{JC})	10	°C/W
SOP-8L Power Dissipation	Internally limited	W
Maximum Junction Temperature	150	°C
Storage Temperature Range	-65 to 150	°C
Moisture Sensitivity (MSL)	Please refer the MSL label on the IC package	

(Note: Exceeding these limits may damage the device. Even the duration of exceeding is very short.)

Exposure to absolute maximum rating conditions for long periods may affect device reliability.)

Recommended Operating Conditions

Parameter	Min	Max	Unit
Input Supply Voltage	4.5	27 ⁽¹⁾	V
Operating Junction Temperature	-20	+125 ⁽²⁾	°C

(Note (1): Operating the IC over this voltage is very easy to cause over voltage condition to VIN pin, SW pin, BS pin & EN pin)

(Note (2): If the IC experienced OTP, then the temperature may need to drop to <125 degree C to let the IC recover.)

Electrical Characteristics

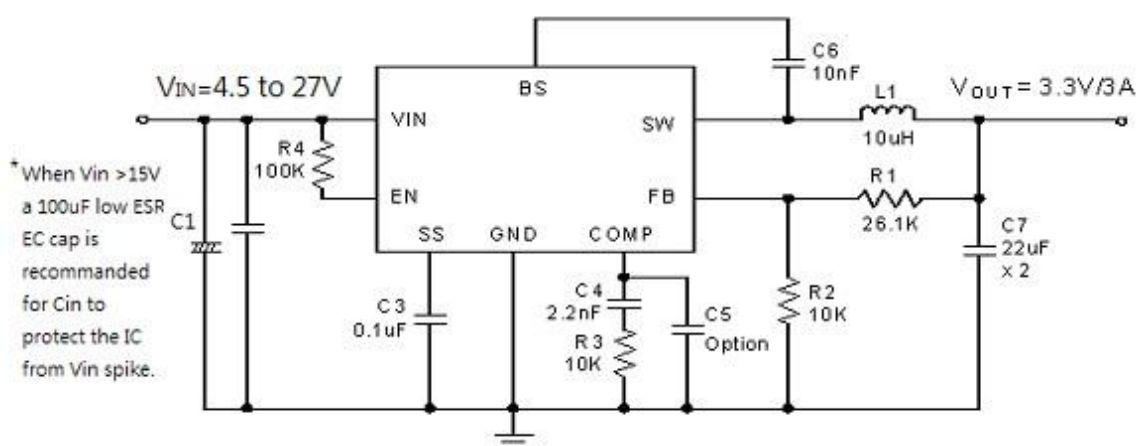
(VIN = 12V, TA= 25°C unless otherwise specified.)

Parameter	Symbol	Test Conditions	Min	Typ	Max	Unit
Feedback Voltage	V _{FB}	4.5V ≤ VIN ≤ 27V	0.900	0.925	0.950	V
Feedback Overvoltage Threshold				1.1		V
High-Side Switch-On Resistance*				90		mΩ
Low-Side Switch-On Resistance*				70		mΩ
High-Side Switch Leakage		V _{EN} = 0V, V _{SW} = 0V		0.1	10	μA
Upper Switch Current Limit*		Minimum Duty Cycle	3.8	4.5		A
Lower Switch Current Limit*		From Drain to Source		1.2		A
COMP to Current Sense Limit Transconductance	G _{CS}			5.2		A/V
Error Amplifier Transconductance	G _{EA}	Δ _{ICOMP} = ±10μA		900		μA/V
Error Amplifier DC Gain*	A _{VEA}			400		V/V
Switching Frequency	f _{SW}		300	340	380	KHz
Short Circuit Switching Frequency		V _{FB} = 0		100		KHz
Minimum Duty Cycle*	D _{min}		7.5			%
Maximum Duty Cycle	D _{max}			92		%
EN Shutdown Threshold Voltage		V _{EN} Rising	1.1	1.4	2	V
EN Shutdown Threshold Voltage Hysteresis				180		mV
EN Lockout Threshold Voltage			2.2	2.5	2.7	V
EN Lockout Hysteresis				150		mV

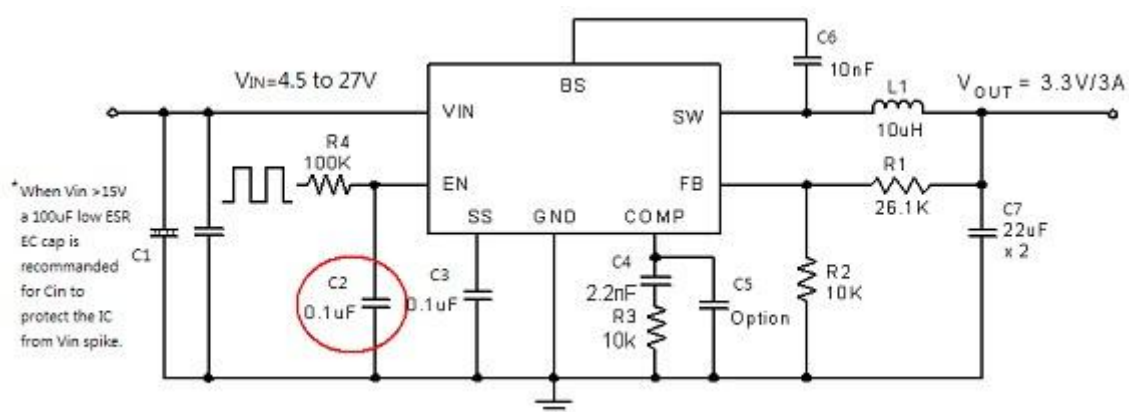
Supply Current in Shutdown		$V_{EN} = 0$		0.3	3.0	μA
IC Supply Current in Operation		$V_{EN} = 3\text{V}, V_{FB} = 1.0\text{V}$		1.3	1.5	mA
Input UVLO Threshold Rising	UVLO	V_{EN} Rising	3.80	4.0	4.40	V
Input UVLO Threshold Hysteresis				150		mV
Soft-start Current		$V_{SS} = 0\text{V}$		6		μA
Soft-start Period		$C_{SS} = 0.1\mu\text{F}$		13		mS
Thermal Shutdown Temperature*		Hysteresis $=25^\circ\text{C}$		155		$^\circ\text{C}$

Note: * Guaranteed by design, not tested

Application Description



HT2307 application circuit, 3.3V/3A output



HT2307 application circuit, 3.3V/3A output with EN function Note: C2 is required for separate EN signal.

Output Voltage Setting

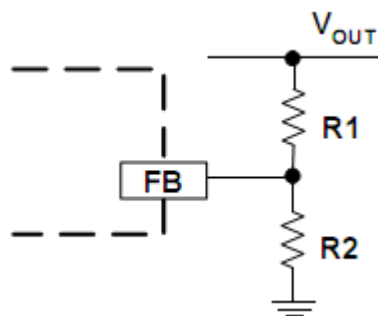


Figure1. Output Voltage Setting

Figure 1 shows the connections for setting the output voltage. Select the proper ratio of the two feedback resistors R1 and R2 based on the output voltage. Typically, use $R2 \approx 10\text{K}\Omega$ and determine R1 from the following equation:

$$R1 = R2 \left(\frac{V_{OUT}}{0.925V} - 1 \right) \quad (1)$$

Table1 – Recommended Resistance Values

VOUT	R1	R2
1.0V	1.0 K Ω	12 K Ω
1.2V	3.0 K Ω	10 K Ω
1.8V	9.53 K Ω	10 K Ω
2.5V	16.9 K Ω	10 K Ω
3.3V	26.1 K Ω	10 K Ω
5V	44.2 K Ω	10 K Ω
12V	121 K Ω	10 K Ω

Inductor Selection

The inductor maintains a continuous current to the output load. This inductor current has a ripple that is dependent on the inductance value: higher inductance reduces the peak-to-peak ripple current. The tradeoff for high inductance value is the increase in inductor core size and series resistance, and the reduction in current handling capability. In general, select an inductance value L based on the ripple current requirement:

$$L = \frac{V_{OUT} \cdot (V_{IN} - V_{OUT})}{V_{IN} f_{SW} I_{OUTMAX} K_{RIPPLE}} \quad (2)$$

Where V_{IN} is the input voltage, V_{OUT} is the output voltage, f_{SW} is the switching frequency, and I_{OUTMAX} is the maximum output current, and K_{RIPPLE} is the ripple factor. Typically, choose $K_{RIPPLE} = \sim 30\%$ to correspond to the peak-to-peak ripple current being $\sim 30\%$ of the maximum output current.

With this inductor value, the peak inductor current is $I_{OUT} \cdot (1 + K_{RIPPLE} / 2)$. Make sure that this peak inductor current is less than the upper switch current limit. Finally, select the inductor core size so that it

does not saturate at the current limit. Typical inductor values for various output voltages are shown in Table 2.

VOUT	1.0V	1.2V	1.5V	1.8V	2.5V	3.3V	5V	9V
L	4.7uH	4.7uH	10uH	10uH	10uH	10uH	10uH	22uH

Table2. Typical Inductor Values

Input Capacitor

The input capacitor needs to be carefully selected to maintain sufficiently low ripple at the supply input of the converter. A low ESR Electrolytic (EC) capacitor is highly recommended. Since large current flows in and out of this capacitor during switching, its ESR also affects efficiency.

When EC cap is used, the input capacitance needs to be equal to or higher than 100uF. The RMS ripple current rating needs to be higher than 50% of the output current. The input capacitor should be placed close to the VIN and GND pins of the IC, with the shortest traces possible. The input capacitor can be placed a little bit away if a small parallel 0.1uF ceramic capacitor is placed right next to the IC.

When V_{IN} is >15V, pure ceramic C_{in} (* no EC cap) is not recommended. This is because the ESR of a ceramic cap is often too small, pure ceramic C_{in} will work with the parasite inductance of the input trace and forms a V_{IN} resonant tank. When V_{IN} is hot plug in/out, this resonant tank will boost the V_{in} spike to a very high voltage and damage the IC.

Output Capacitor

The output capacitor also needs to have low ESR to keep low output voltage ripple. In the case of ceramic output capacitors, RESR is very small and does not contribute to the ripple. Therefore, a lower capacitance value can be used for ceramic capacitors. In the case of tantalum or electrolytic capacitors, the ripple is dominated by RESR multiplied by the ripple current. In that case, the output capacitor is chosen to have sufficiently low ESR.

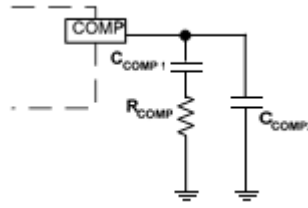
For ceramic output capacitors, typically choose two capacitors of about 22uF. For tantalum or electrolytic capacitors, choose a capacitor with less than 50mΩ ESR.

Optional Schottky Diode

During the transition between high-side switch and low-side switch, the body diode of the low side power MOSFET conducts the inductor current. The forward voltage of this body diode is high. An optional Schottky diode may be paralleled between the SW pin and GND pin to improve overall efficiency. Table 3 lists example Schottky diodes and their Manufacturers.

Table 3—Diode Selection Guide

Vin max	Part Number	Voltage/Current Rating	Vendor
<20V	B130	30V, 1A	Lite-on semiconductor corp.
<20V	SK13	30V, 1A	Lite-on semiconductor corp.
>20V	B140	40V, 1A	Lite-on semiconductor corp.
>20V	SK14	40V, 1A	Lite-on semiconductor corp.

Stability Compensation


C_{COMP2} is needed only for high ESR output capacitor

Figure2. Stability Compensation

The feedback loop of the IC is stabilized by the components at the COMP pin, as shown in Figure2. The DC loop gain of the system is determined by the following equation:

$$A_{VDC} = \frac{0.925V}{I_{OUT}} A_{VEA} G_{COMP} \quad (4)$$

The dominant pole P1 is due to C_{COMP1} :

$$f_{P1} = \frac{G_{EA}}{2\pi A_{VEA} C_{COMP1}} \quad (5)$$

The second pole P2 is the output pole:

$$f_{P2} = \frac{I_{OUT}}{2\pi V_{OUT} C_{OUT}} \quad (6)$$

The first zero Z1 is due to R_{COMP} and C_{COMP1} :

$$f_{Z1} = \frac{1}{2\pi R_{COMP} C_{COMP1}} \quad (7)$$

And finally, the third pole is due to R_{COMP} and C_{COMP2} (if C_{COMP2} is used):

$$f_{P3} = \frac{1}{2\pi R_{COMP} C_{COMP2}} \quad (8)$$

The following steps should be used to compensate the IC:

STEP1. Set the crossover frequency at 1/10 of the switching frequency via R_{COMP} :

$$R_{COMP} = \frac{2\pi V_{OUT} C_{OUT} f_{SW}}{10 G_{EA} G_{COMP} \cdot 0.925V} \quad (9)$$

But limit R_{COMP} to 10K Ω maximum. More than 10 K Ω is easy to cause overshoot at power on.

STEP2. Set the zero f_{Z1} at 1/4 of the crossover frequency. If R_{COMP} is less than 10K Ω , the equation for C_{COMP1} is:

$$C_{COMP1} = \frac{0.637}{R_{COMP} \times f_c} \quad (F) \quad (10)$$

STEP3. If the output capacitor's ESR is high enough to cause a zero at lower than 4 times the crossover frequency, an additional compensation capacitor CCOMP2 is required. The condition for using CCOMP2 is:

$$\pi \times C_{OUT} \times R_{ESR} \times f_s \geq 1 \quad (11)$$

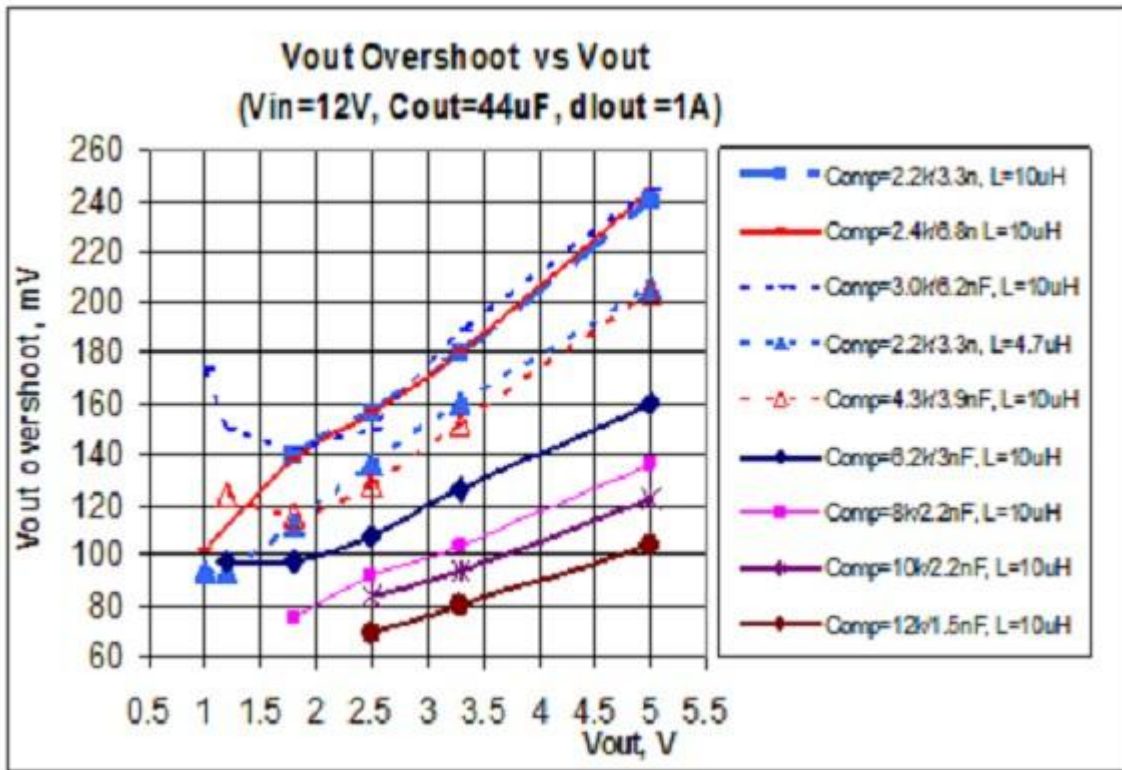
And the proper value for CCOMP2 is:

$$C_{COMP2} = \frac{C_{OUT} R_{ESR} C_{OUT}}{R_{COMP}} \quad (12)$$

Though CCOMP2 is unnecessary when the output capacitor has sufficiently low ESR, a small value CCOMP2 such as 100pF may improve stability against PCB layout parasitic effects.

Table 4 Component Selection Guide for Stability Compensation

Vin Range (V)	Vout(V)	Cout	Rcomp(kΩ)	Ccomp(nF)	Ccomp2(pF)	Inductor(uH)
5 – 12	1.0	22uF x2 Ceramic	2.4	6.8	none	4.7
5 – 15	1.2		3	6.2	none	4.7
5 – 15	1.8		6.2	3	none	10
5 – 15	2.5		8	2.2	none	10
5 – 15	3.3		10	2.2	none	10
7 – 15	5		10	2.2	none	10
5 – 12	1.0	470uF/ 6.3V/ 120mΩ	10	10	680	10
5 – 15	1.2					
5 – 23	1.8					
5 – 27	2.5					
5 – 27	3.3					
7 – 27	5					



Figur3. Load Transient Testing VS Compensation Value

Typical Performance Characteristics

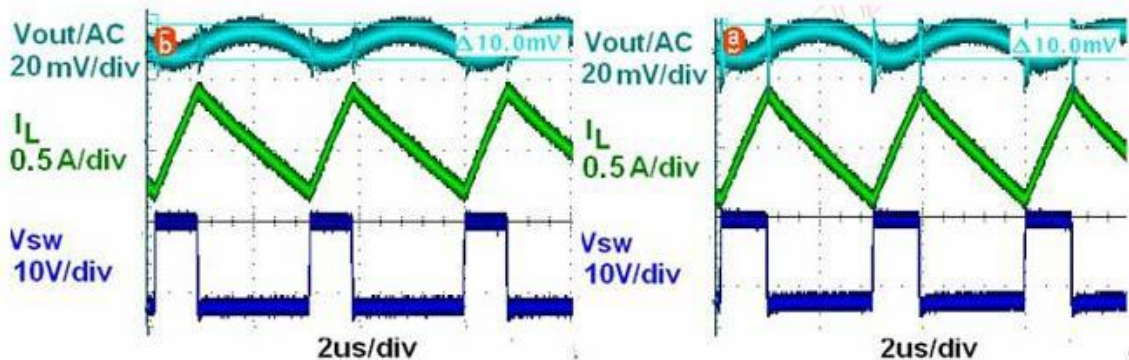
($V_{IN}=12V$, $I_o=0$ mA, Temperature = 25 degree C, unless otherwise specified)

Light Load Operation (No load)

$V_{IN}=12V$, $I_{in}=8.2$ mA, $V_{out}=3,3V$

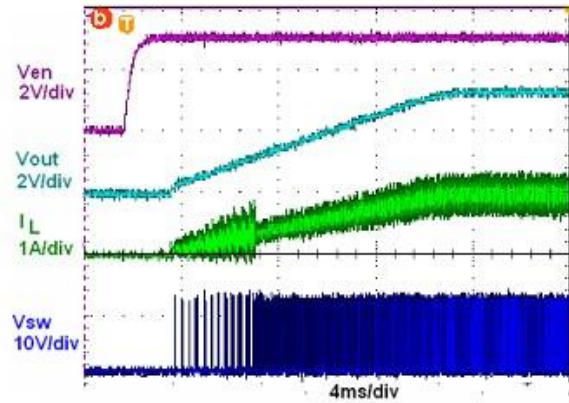
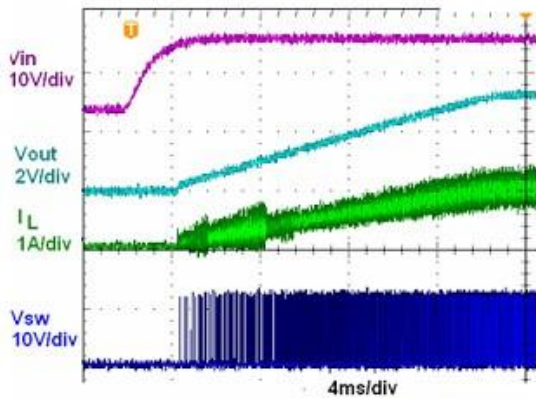
Heavy Load Operation (3A Load)

$V_{IN}=12V$, $V_{out}=3,3V$



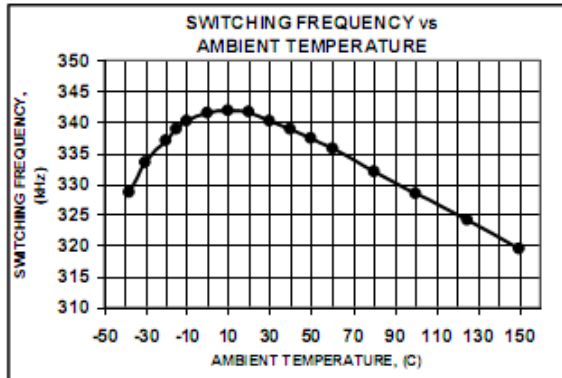
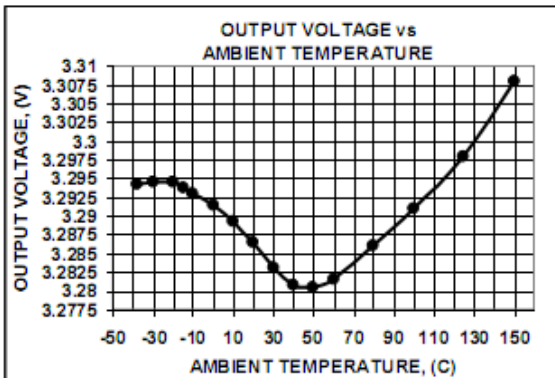
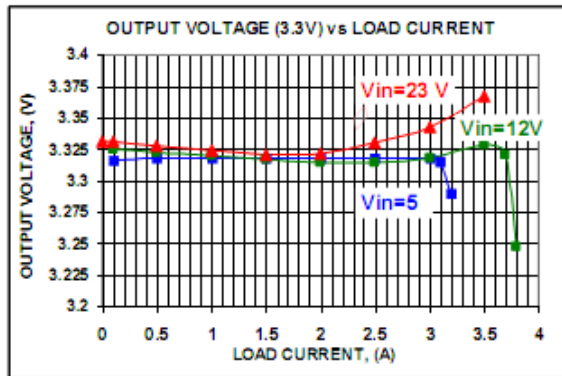
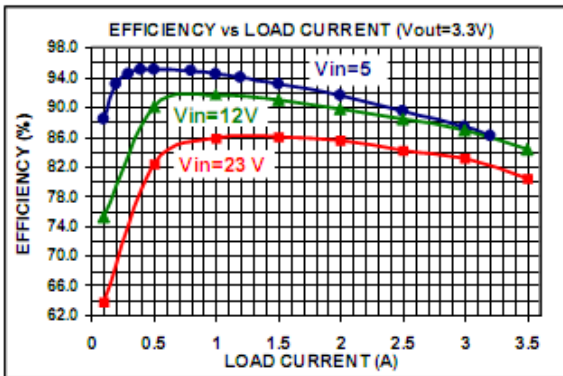
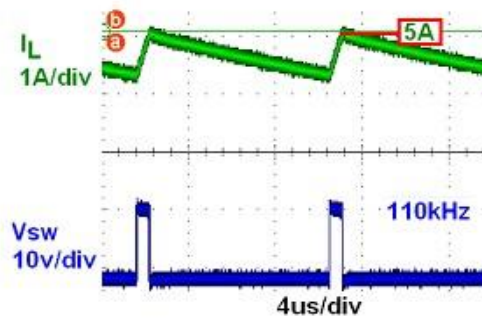
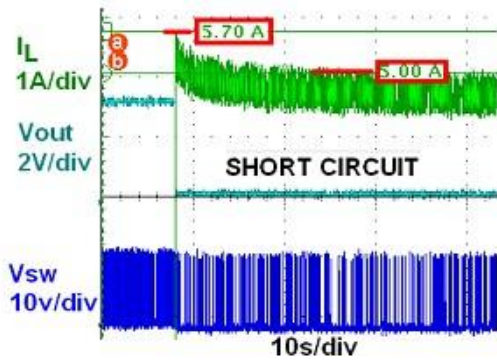
Startup $V_{IN}=12V$, $V_{out}=3.3V$, $I_{out}=1A$
through V_{in} .

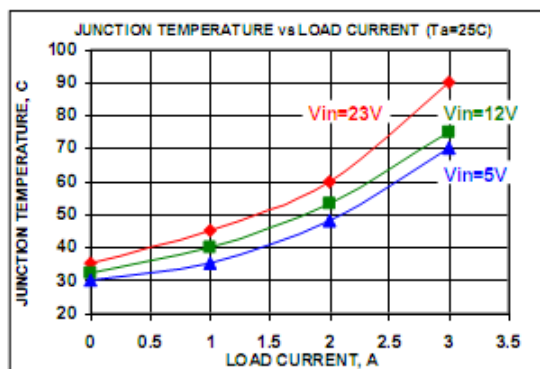
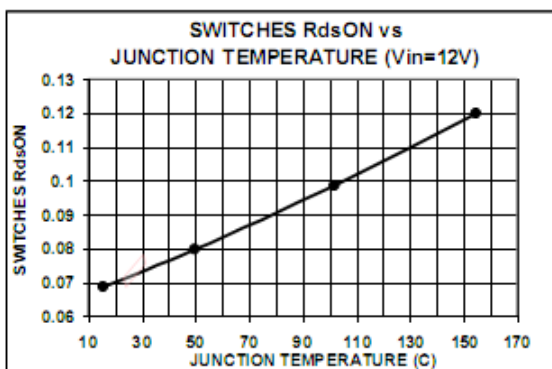
through Enable.



Startup $V_{in}=12V$, $V_{out}=3.3V$, $I_{out}=1A$
through V_{in} .

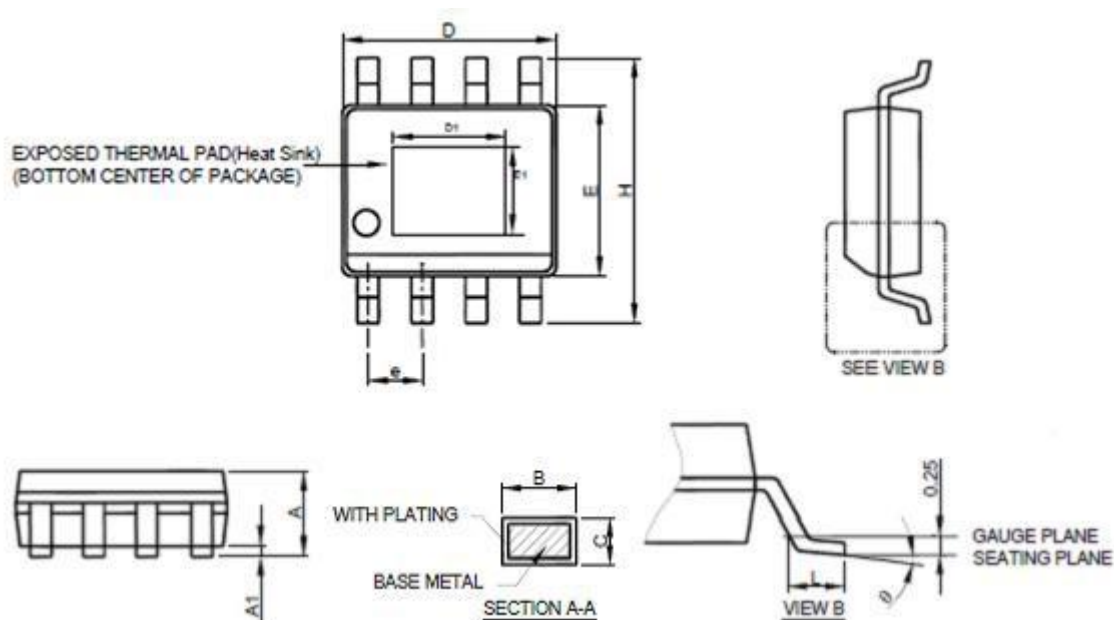
through Enable.





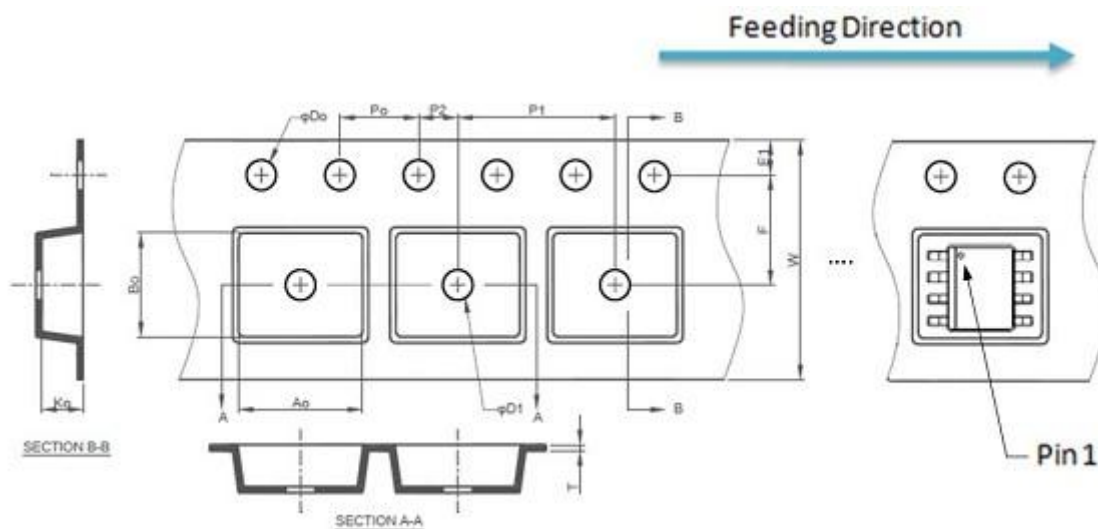
Package Information (All Dimensions in mm)

ESOP-8L



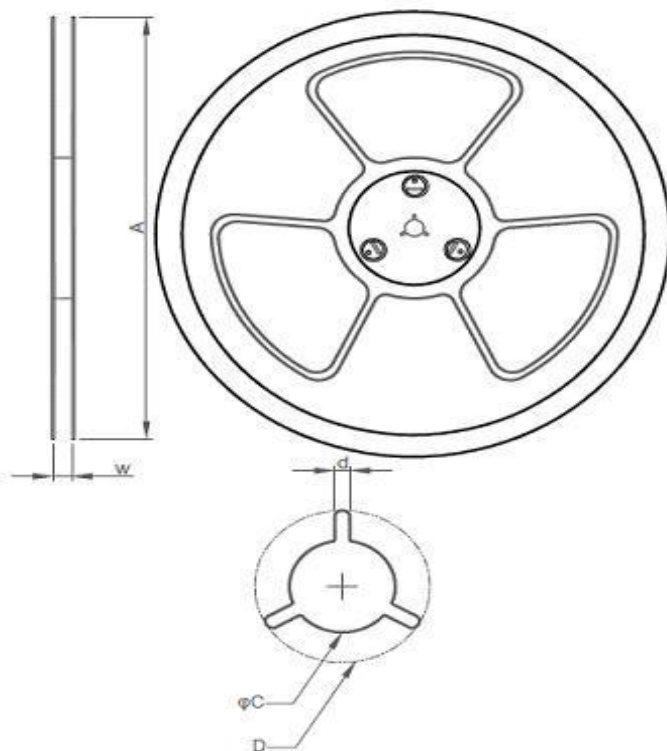
Symbol	Dimensions In Millimeters	
	Min	Max
A	1.35	1.75
A1	0.05	0.25
B	0.31	0.51
C	0.17	0.25
D	4.70	5.10
E	3.70	4.10
e	1.27BSC	
H	5.80	6.20

L	0.40	1.27
θ	0°	8°
D1	3.10REF	
E1	2.21REF	

Tape/Reel


- Note:
1. Refer to EIA-481-B
 2. 10 sprocket hole pitch cumulative tolerance ± 0.2
 3. Material: conductive polystyrene
 4. Ao and Bo measured on a plane 0.3mm above the bottom of the pocket
 5. Ko measured from a plane on the inside bottom of the pocket to the top surface of the carrier

SYMBOL	Ao	Bo	Ko	T	Do	D1
SPEC.	6.90 \pm 0.20	5.40 \pm 0.20	2.10 \pm 0.20	0.30 \pm 0.05	1.50 ^{+0.10} _{-0.00}	1.50 min.
SYMBOL	Po	P1	P2	E1	F	W
SPEC.	4.00 \pm 0.10	8.00 \pm 0.10	2.00 \pm 0.05	1.75 \pm 0.10	5.50 \pm 0.05	12.00 \pm 0.30



Package Type	A	W	C	d	D
TO-252-3L	330 \pm 2	16.4 ^{+2.0} _{-0.0}	13.0 ^{+0.5} _{-0.2}	1.5 MIN.	20.2 MIN.
SOP-8 SOT-223	330 \pm 2	12.4 ^{+2.0} _{-0.0}	13.0 ^{+0.5} _{-0.2}	1.5 MIN.	20.2 MIN.
SOT-89-3L	178 \pm 2	12.4 ^{+2.0} _{-0.0}	13.0 ^{+0.5} _{-0.2}	1.5 MIN.	20.2 MIN.

Note: Refer to EIA-481-B

IPC/JEDEC J-STD-020D.1 Moisture Sensitivity Levels Table

LEVEL	FLOOR LIFE		SOAK REQUIREMENTS				
			Standard		1		
	TIME	CONDITION			TIME (hours)	CONDITION	eV 0.40-0.48
1	Unlimited	≤30 °C /85% RH	168 +5/-0	85 °C /85% RH	NA	NA	NA
2	1 year	≤30 °C /60% RH	168 +5/-0	85 °C /60% RH	NA	NA	NA
2a	4 weeks	≤30 °C /60% RH	696 ² +5/-0	30 °C /60% RH	120 -1/+0	168 -1/+0	60 °C/ 60% RH
3	168 hours	≤30 °C /60% RH	192 ² +5/-0	30 °C /60% RH	40 -1/+0	52 -1/+0	60 °C/ 60% RH
4	72 hours	≤30 °C /60% RH	96 ² +2/-0	30 °C /60% RH	20 +0.5/-0	24 +0.5/-0	60 °C/ 60% RH
5	48 hours	≤30 °C /60% RH	72 ² +2/-0	30 °C /60% RH	15 +0.5/-0	20 +0.5/-0	60 °C/ 60% RH
5a	24 hours	≤30 °C /60% RH	48 ² +2/-0	30 °C /60% RH	10 +0.5/-0	13 +0.5/-0	60 °C/ 60% RH
6	Time Label (TOL)	≤30 °C /60% RH	TOL	30 °C /60% RH	NA	NA	NA

Note 1: CAUTION - To use the “accelerated equivalent” soak conditions, correlation of damage response (including electrical, after soak and reflow), should be established with the “standard” soak conditions. Alternatively, if the known activation energy for moisture diffusion of the package materials is in the range of 0.40 - 0.48 eV or 0.30 - 0.39 eV, the “accelerated equivalent” may be used. Accelerated soak times may vary due to material properties (e.g. .mold compound, encapsulate, etc.). JEDEC document JESD22-A120 provides a method for determining the diffusion coefficient.

Note 2: The standard soak time includes a default value of 24 hours for semiconductor manufacturer’s exposure time (MET) between bake and bag and includes the maximum time allowed out of the bag at the distributor’s facility. If the actual MET is less than 24 hours the soak time may be reduced. For soak conditions of 30 °C/60% RH, the soak time is reduced by 1 hour for each hour the MET is less than 24 hours. For soak conditions of 60 °C/60% RH, the soak time is reduced by 1 hour for each 5 hours the MET is less than 24 hours. If the actual MET is greater than 24 hours the soak time must be increased. If soak conditions are 30 °C/60% RH, the soak time is increased 1 hour for each hour that the actual MET exceeds 24 hours. If soak conditions are 60 °C/60% RH, the soak time is increased 1 hour for each 5 hours that the actual MET exceeds 24 hours.

X-ON Electronics

Largest Supplier of Electrical and Electronic Components

Click to view similar products for [Switching Controllers](#) category:

Click to view products by [HTCSEMI](#) manufacturer:

Other Similar products are found below :

[NCP1218AD65R2G](#) [NCP1244BD065R2G](#) [NCP1336ADR2G](#) [NCP6153MNTWG](#) [NCP81101BMNTXG](#) [NCP81205MNTXG](#) [SJE6600](#)
[AZ7500BMTR-E1](#) [SG3845DM](#) [NCP1250BP65G](#) [NCP4204MNTXG](#) [NCP6132AMNR2G](#) [NCP81102MNTXG](#) [NCP81206MNTXG](#)
[NCP1240AD065R2G](#) [NCP1240FD065R2G](#) [NCP1361BABAYSNT1G](#) [NCP1230P100G](#) [NX2124CSTR](#) [SG2845M](#) [NCP1366BABAYDR2G](#)
[NCP81101MNTXG](#) [NCP81174NMNTXG](#) [NCP4308DMTTWG](#) [NCP4308AMTTWG](#) [NCP1366AABAYDR2G](#) [NCP1251FSN65T1G](#)
[NCP1246BLD065R2G](#) [MB39A136PFT-G-BND-ERE1](#) [NCP1256BSN100T1G](#) [LV5768V-A-TLM-E](#) [NCP1365BABCYDR2G](#)
[NCP1365AABCYDR2G](#) [NCP1246ALD065R2G](#) [AZ494AP-E1](#) [CR1510-10](#) [NCP4205MNTXG](#) [ISL69158IRAZ-T7A](#) [XRP6141ELTR-F](#)
[RY8017](#) [LP6260SQVF](#) [LP6298QVF](#) [ISL6121LIB](#) [ISL6225CA](#) [ISL6244HRZ](#) [ISL6268CAZ](#) [ISL6315IRZ](#) [ISL6420AIAZ-TK](#) [ISL6420AIRZ](#)
[ISL6420IAZ](#)