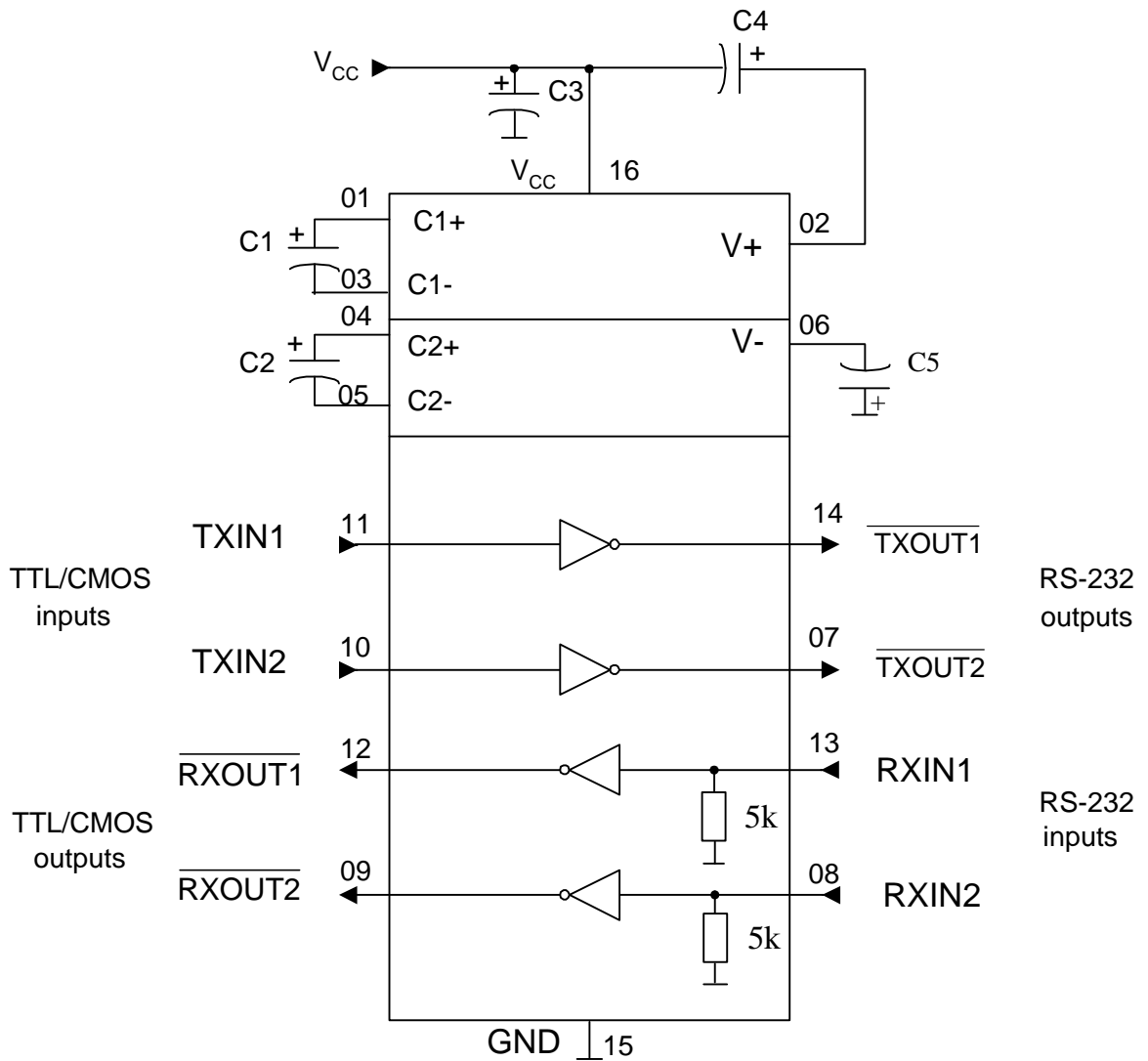




**Functional diagram**


C1 – capacitor 0.1  $\mu\text{F} \pm 10\%$  for  $U_{\text{CC}} = 3.3 \text{ V} \pm 10\%$  (0.047  $\mu\text{F} \pm 10\%$  for  $U_{\text{CC}} = 5.0 \text{ V} \pm 10\%$ )

C2, C4, C5– capacitors 0.1  $\mu\text{F} \pm 10\%$  for  $U_{\text{CC}} = 3.3 \text{ V} \pm 10\%$  (0.33  $\mu\text{F} \pm 10\%$  for  $U_{\text{CC}} = 5.0 \text{ V} \pm 10\%$ )

C3 – capacitor 0.1  $\mu\text{F} \pm 10\%$

**Pin description table**

Pin number	Pin description	Symbol
01	Positive terminal of the voltage multiplier charge-pump capacitor	C1+
02	Positive voltage multiplier output	V+
03	Negative terminal of the voltage multiplier charge-pump capacitor	C1-
04	Positive terminal of the voltage multiplier charge-pump capacitor	C2+
05	Negative terminal of the voltage multiplier charge-pump capacitor	C2-
06	Negative voltage multiplier output	V-
07	Transmitter output (RS-232 levels)	$\overline{\text{TXOUT2}}$
08	Receiver input (RS-232 levels)	RXIN2
09	Receiver output (TTL/CMOS levels)	$\overline{\text{RXOUT2}}$
10	Transmitter input (TTL/CMOS levels)	TXIN2
11	Transmitter input (TTL/CMOS levels)	TXIN1
12	Receiver output (TTL/CMOS levels)	$\overline{\text{RXOUT1}}$
13	Receiver input (RS-232 levels)	RXIN1
14	Transmitter output (RS-232 levels)	$\overline{\text{TXOUT1}}$
15	Common pin	GND
16	Supply voltage	V

**Maximum Ratings & Recommended Operating Conditions**

Parameter, unit	Symbol	Recommended operating conditions		Maximum rate	
		min	max	min	max
Supply voltage, V	$U_{CC}$	3.0	5.5	-0.3	6.0
Voltage applied to transmitter output, V	U	-	-	-13.2	13.2
Multiplier positive output voltage, V	U+	5.0	-	-0.3	7.0
Multiplier negative output voltage, V	U-	-5.0	-	-7.0	0.3
Receiver input voltage, V	U	-25	25	-25	25
Receiver output voltage, V	U	-	-	-0.3	$U_{CC}+0.3$
Transmitter low level input voltage, V	U	0	0.8	-0.3	-
Transmitter high level input voltage, V	$U_{IH}$	2.0 ( $U_{CC}=3.3\text{ V}$ )	$U_{CC}$	-	6
		2.4 ( $U_{CC}=5.0\text{ V}$ )			
Multiplier outputs voltages difference, V	$U_{+}+U_{-}$	-	-	-	13
Receiver low level threshold input voltage, V	$U_{ITL}$	0.6 ( $U_{CC}=3.3\text{ V}$ )	-	-	-
		0.8 ( $U_{CC}=5.0\text{ V}$ )			
Receiver high level threshold input voltage, V	$U_{ITH}$	-	2.4	-	-

**Electric parameters**

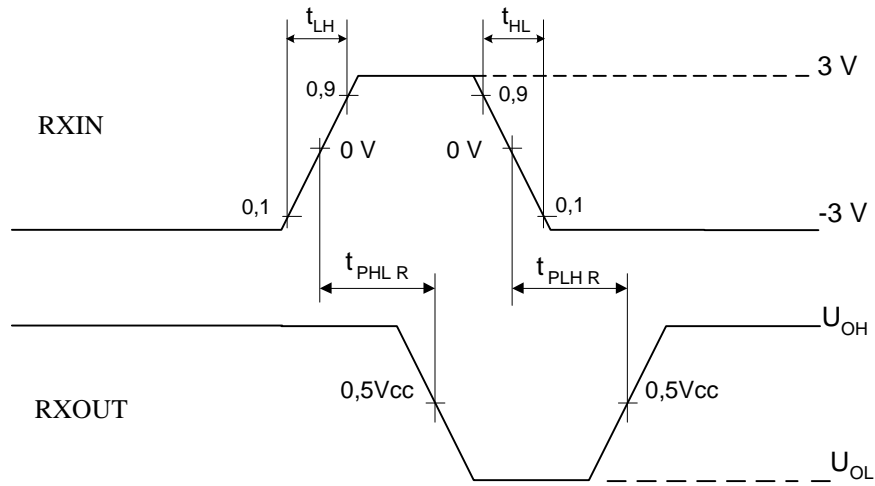
Parameter, unit	Symbol	Norm		Mode	T <sub>A</sub> , °C
		Min	Max		
Supply current, μA	I <sub>CC1</sub>	-	1.0	U <sub>CC</sub> = 3.3 V; 5.0 V; U <sub>IL</sub> = 0 V	25±10
			1.4		-40; 85
Receiver					
Low level output voltage, V	U <sub>OLR</sub>	-	0.3	U <sub>CC</sub> = 3.3V ±10%; U <sub>ITH</sub> = 2.4V; I = 1.6 mA	25±10
			0.4		-40; 85
			0.3	U <sub>CC</sub> = 5.0V ±10%; U <sub>ITH</sub> = 2.4V; I = 1.6 mA	25±10
			0.4		-40; 85
High level output voltage, V	U <sub>OHR1</sub>	2.5	-	U <sub>CC</sub> = 3.3V ±10%; U <sub>ITL</sub> = 0.6 V; I = -1.0 mA	25±10
					2.4
	U <sub>OHR2</sub>	4.0	U <sub>CC</sub> = 5.0V ±10%; U <sub>ITL</sub> = 0.8 V; I = -1.0 mA	25±10	
		3.9		-40; 85	
Receiver hysteresis, V	U <sub>h</sub>	0.2	1.0	U = 3.3 V ± 10%; 5.0 V ± 10%	25±10
Input resistance, kOhm	R	3	7	-	25±10
OFF-ON switching propagation delay, ns	t <sub>PHLR</sub> , t	-	1500	U <sub>CC</sub> = 5.0V ±10 %; C <sub>L</sub> = 150 pF; U <sub>IL</sub> = 0 V; U <sub>IH</sub> = 3.0 V; t = t ≤ 10 ns	25±10
Propagation delays difference, ns	t <sub>SKD</sub>	-	600		
Transmitter					
Low level output voltage, V	U <sub>OLT1</sub>	-	-5.07	U <sub>CC</sub> = 3.3V ±10%; U <sub>IH</sub> = 2.0V; R = 3 kOhm	25±10
			-5.0		-40; 85
	U <sub>OLT2</sub>	-	-5.07	U <sub>CC</sub> = 5.0V ±10%; U <sub>IH</sub> = 2.4V; R = 3 kOhm	25±10
			-5.0		-40; 85
High level output voltage, V	U <sub>OHT</sub>	5.07	-	U <sub>CC</sub> = 3.3V ±10%; U <sub>IL</sub> = 0.8V; R = kOhm	25±10
					5.0
	5.07	-	U <sub>CC</sub> = 5.0V ±10%; U <sub>IL</sub> = 0.8V; R = kOhm	25±10	
				5.0	-40; 85
Transmitter hysteresis, V	U <sub>h</sub>	0.1	1.0	U = 3.3 V ± 10%; 5.0 V ± 10%	25±10
Low level input leakage current, μA	I <sub>ILL</sub>	-	-0.5	U <sub>CC</sub> = 5.5 V; U <sub>IL</sub> = 0V	25±10
			-1.0		-40; 85
High level input leakage current, μA	I <sub>ILH</sub>	-	0.5	U <sub>CC</sub> = 5.5 V; U <sub>IH</sub> = 5.5V	25±10
			1.0		-40; 85
Output resistance, Ohm	R <sub>O</sub>	350	-	U <sub>CC</sub> = U <sub>V+</sub> * = U <sub>V-</sub> * = 0 V; U = ±2 V	25±10
		300			-40; 85

**Electric parameters**

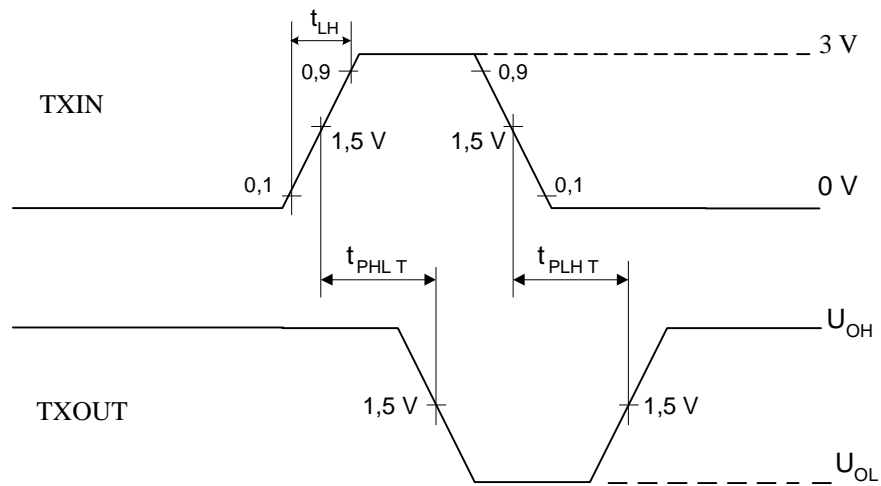
Parameter, unit	Symbol	Norm		Mode	T <sub>A</sub> , °C
		Min	Max		
Transmitter					
Short circuit current, mA	I <sub>OS</sub>	-	53	U <sub>CC</sub> = 3.6 V	25±10
			60		-40; 85
			-53	U <sub>CC</sub> = 3.6 V	25±10
			-60		-40; 85
			53	U <sub>CC</sub> = 5.5 V	25±10
			60		-40; 85
			-53	U <sub>CC</sub> = 5.5 V	25±10
			-60		-40; 85
Low level output current for OFF-state, µA	I <sub>OZLT</sub>	-	-10	U <sub>CC</sub> = 0V; U <sub>O</sub> = -12 V; transmitter output is disabled	25±10
			-25		-40; 85
High level output current for OFF-state, µA	I <sub>OZHT</sub>	-	10	U <sub>CC</sub> = 0V; U <sub>O</sub> = 12 V; transmitter output is disabled	25±10
			25		-40; 85
Maximum Data Rate, Kbit/s	ST	140	-	R <sub>L</sub> = 3 kOhm; C <sub>L</sub> = 1000 pF	25±10
		120			-40; 85
Transition-Region Slew Rate, V/µs	SR	6	30	U <sub>CC</sub> = 3.3 V; R <sub>L</sub> = (3-7) kOhm; U <sub>OT</sub> is from +3 to -3 V or from -3 to +3 V; C <sub>L</sub> = (150-1000) pF	25±10
		4	30		
Propagation delays difference, ns	t <sub>SKEW</sub>	-	600	U <sub>CC</sub> = 5.0V ±10 %; U <sub>IL</sub> = 0 V; U <sub>IH</sub> = 3.0 V; t <sub>LH</sub> = t <sub>HL</sub> ≤ 10 ns; R = 3 kOhm; C = 1000 pF	

\* U<sub>V+</sub>, U<sub>V-</sub> - voltages applied to pins 02, 06.

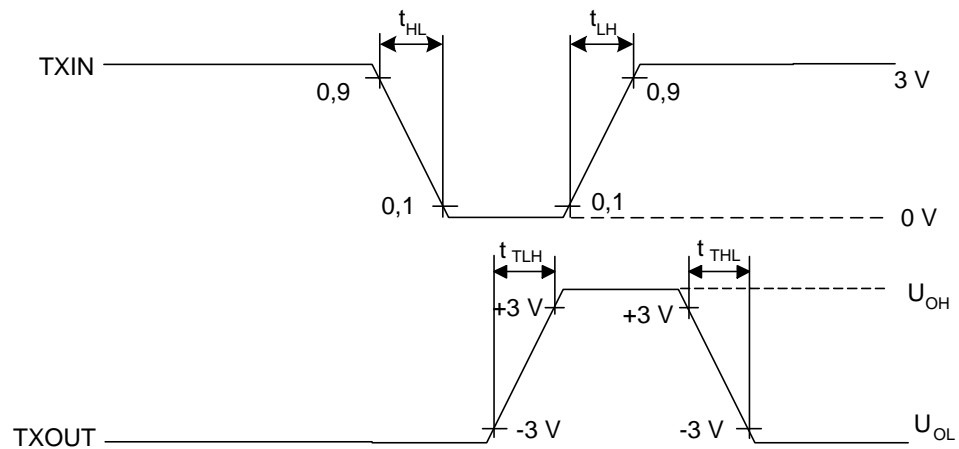
Note – Electric parameters is indicated for C1=0.047 µF, C2-C4 = 0.33 µF & U<sub>CC</sub> = 5.0 V±10 %  
(or C1-C4 = 0.1 µF & U = 3.3 V±10 %)



**Receiver output & input signals time diagram**



**Transmitter output & input signals time diagram**

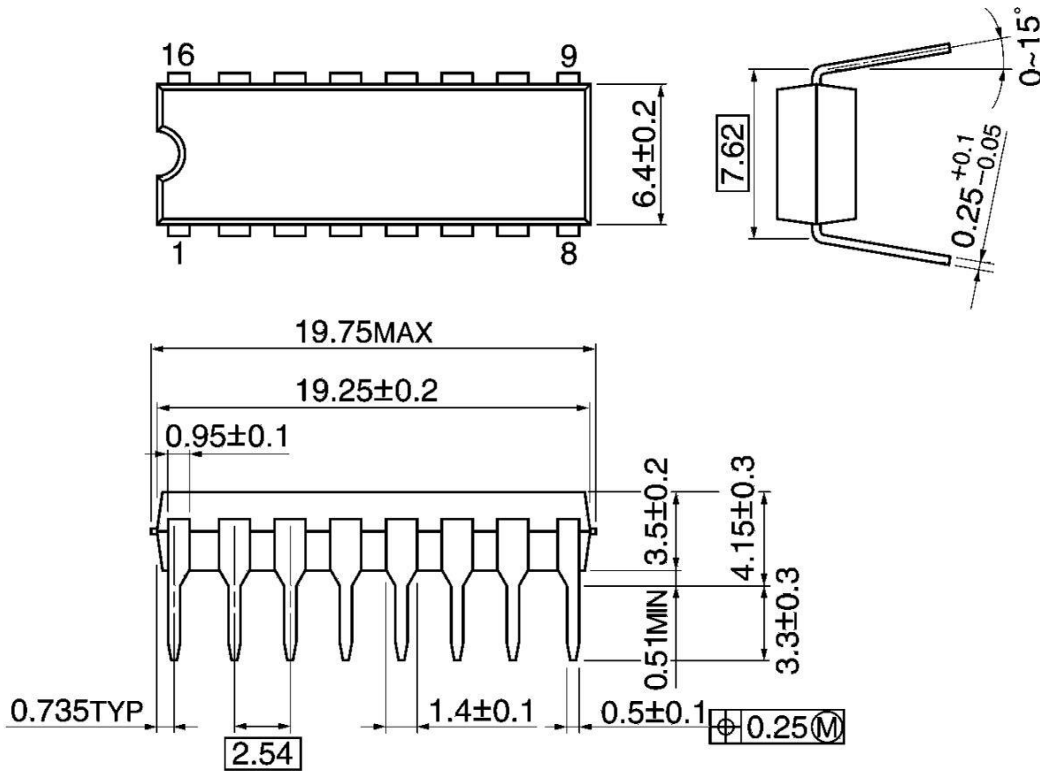


**Transmitter output & input signals time diagram**

**Package Dimensions**

DIP16-P-300-2.54A

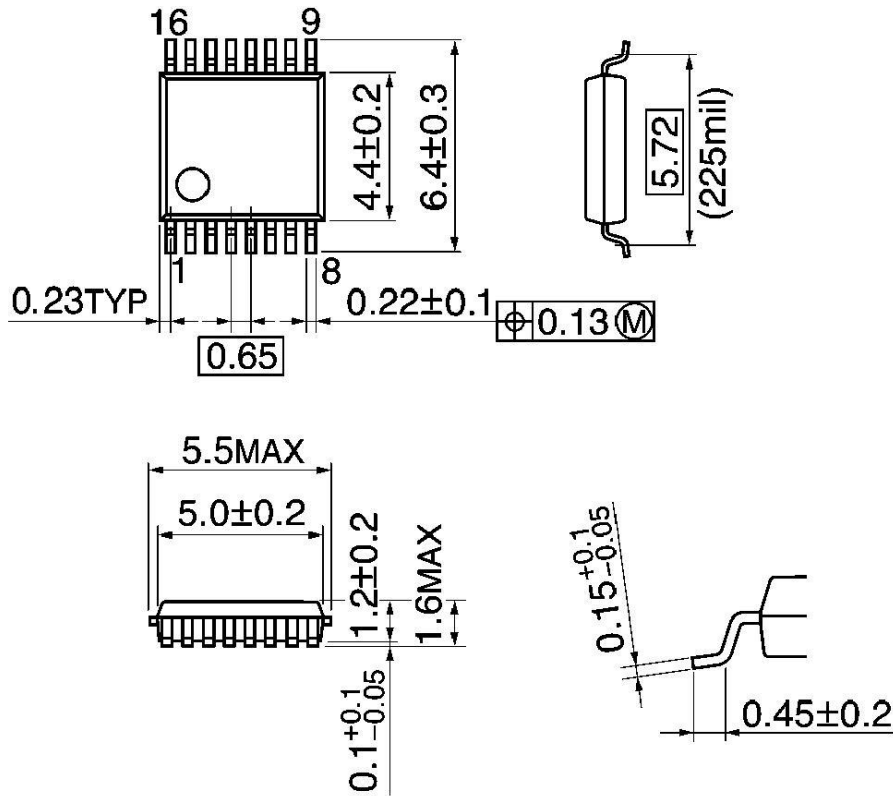
Unit: mm



Weight: 1.11 g (Typ.)

SSOP16-P-225-0.65B

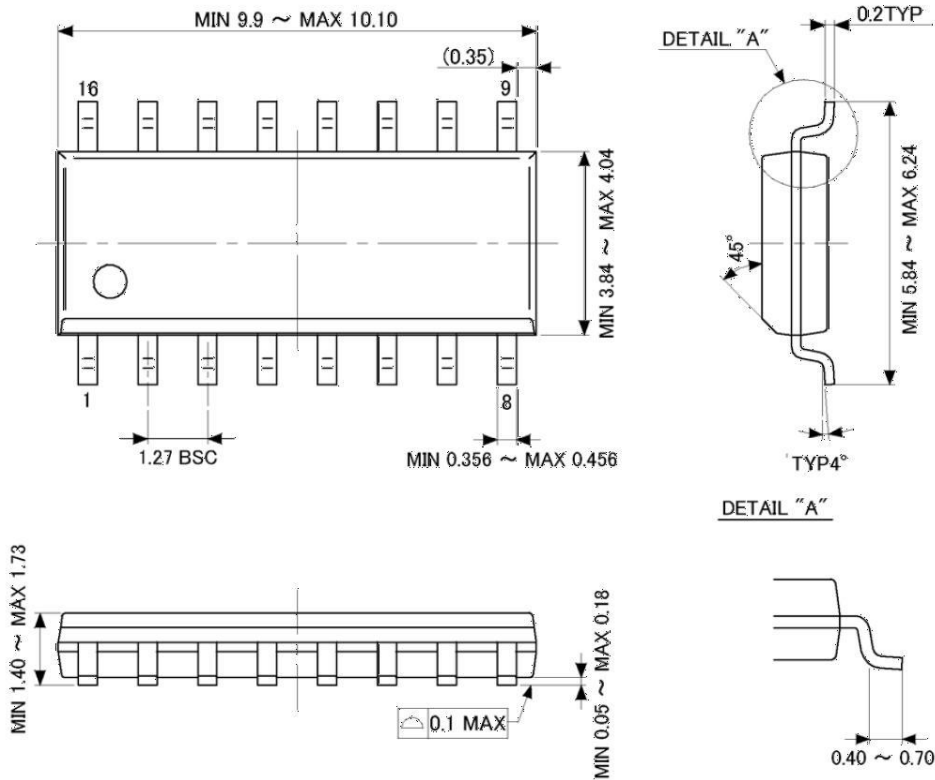
Unit: mm



Weight: 0.07 g (Typ.)

P-SOP16-0410-1.27-002

Unit: mm



Weight: 0.15 g (Typ.)



## X-ON Electronics

Largest Supplier of Electrical and Electronic Components

*Click to view similar products for [RS-232 Interface IC category](#):*

*Click to view products by [HTCSEMI manufacturer](#):*

Other Similar products are found below :

[062191EB](#) [XR32330EBERTR-F](#) [CH438L](#) [WS3232ECN](#) [MAX3232ESE](#) [MAX232ESE](#) [SP232EEN](#) [ST232BDR](#) [UM3232EEUE](#)  
[UM3232EEAE](#) [HT232ARZ](#) [WS3243FCY](#) [BL13232ETS](#) [GM3232ETA](#) [BL13232ESO](#) [WS3223ECY](#) [GM3232ESA](#) [WS3222ECY](#)  
[WS3243FCA](#) [WS3221ECY](#) [WS3232ECA](#) [WS213EA](#) [SP3232ECM/TR](#) [MAX3232EIMT/TR](#) [HGX232ECM/TR](#) [SP3232ECMT/TR](#)  
[MAX3232ECM/TR](#) [HGX3232ECMT/TR](#) [MAX3232ECMT/TR](#) [SP3232EIMT/TR](#) [HGX3232EIMT/TR](#) [HGX3232ECM/TR](#) [MAX232EN](#)  
[HT3232EARZ](#) [HT3232EERZ](#) [HT3232EARSZ](#) [ILX232DT](#) [MAX3386ECPWR](#) [ICL3232IVZ-T7A](#) [ICL3226ECA](#) [AZ75232GTR-G1](#)  
[TRS222IDWR](#) [MAX563CPN+](#) [MAX232INE4](#) [MAX3232CPW](#) [MAX238ENG+](#) [MAX204CWE+](#) [MAX13234EETP+](#) [TRS3232EIDWR](#)  
[TRS3222EIPWR](#)