

Low Power Dual Operational Amplifier

GENERAL DESCRIPTION

The HT358A consists of two independent, high-gain, internally frequency-compensated operational amplifiers, which were designed specifically to operate from a single power supply over a wide range of voltages. The device operation from split power supplies is also possible and the low power supply current drain is independent of the magnitude of the power supply voltage.

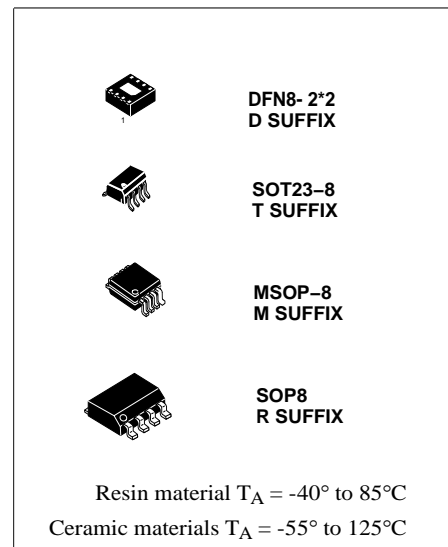
Its application areas include transducer amplifiers, dc gain blocks and all the conventional operational amplifier circuits.

FEATURES

- Wide range of supply voltages
- Low supply current drain independent of the supply voltage
- Low input biasing current
- Low input offset voltage and offset current
- Input common-mode voltage range including the Ground
- Differential input voltage range equal to the power supply voltage
- DC voltage gain 100 V/mV (typ.)
- Internal frequency compensation

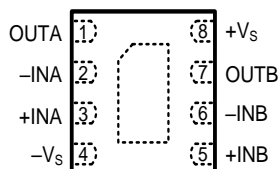
APPLICATIONS

- Transducer amplifiers
- Dc gain blocks
- Conventional op-amp circuits in single power supply systems

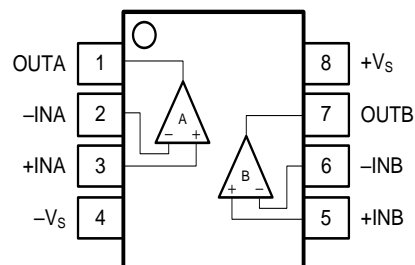


Package pin connections

DFN2x2 8L



SOP-8L / MSOP-8L/SOT23-8



ABSOLUTE MAXIMUM RATINGS

Parameter	Symbol	Ratings
Supply voltage	V_{CC}	45V
Input voltage	V_{IN}	-0.3V to +45V
Input current	I_{IN}	50mA at $V_{IN} = -0.3V$
Maximum output current	I_{OUT}	100mA
Maximum Operating Junction Temperature	T_J	-40°C to 125°C
Storage Temperature Range	T_{STG}	-65°C to 150°C
Lead Temperature (soldering, 10 seconds)	-	260°C
ESD protection (HBM)	-	700V

RECOMMENDED OPERATING CONDITIONS

Parameter	Symbol	Ratings
Input Voltage	V_{IN}	40V
Junction Temperature	T_J	-40°C to +85°C

ELECTRICAL CHARACTERISTICS

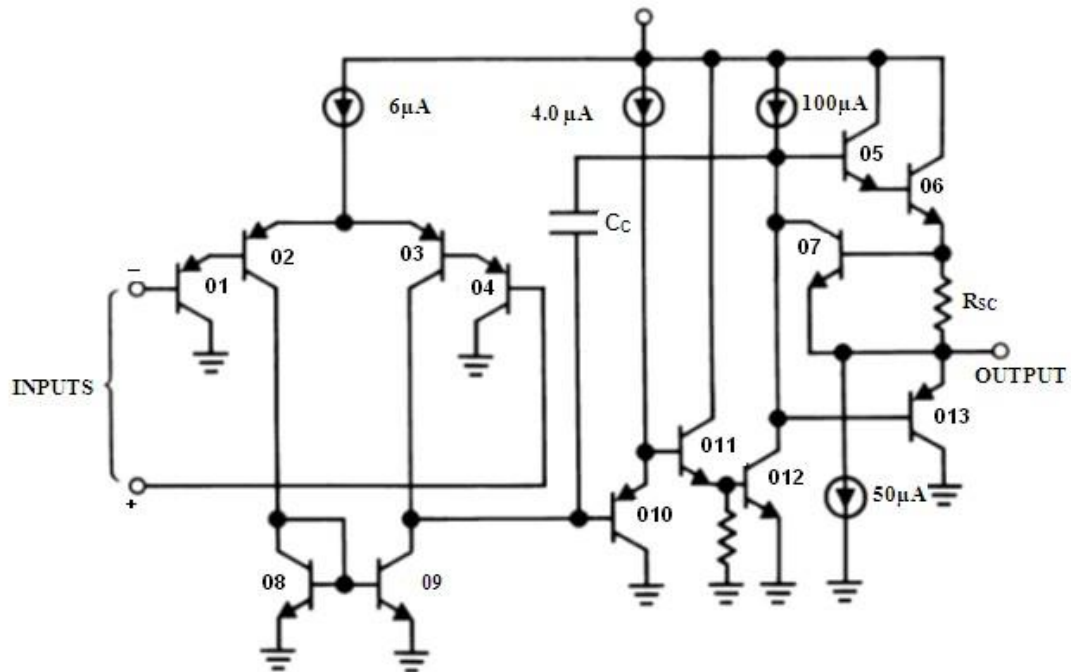
 (At specified free-air temperature, $V_{CC} = 5V$, unless otherwise specified)

Parameter	Symbol	Conditions	Min	Typ	Max	Unit	
Input Offset Voltage	V_{IO}	$V_{CC} = 5V \text{ to MAX,}$ $V_{IC} = V_{ICR(min)},$ $V_O = 1.4V$	25°C	3	7	mV	
			Full range		9		
Average Temperature Coefficient of Input Offset Voltage	αV_{IO}		Full range	7		$\mu V/^\circ C$	
Input Offset Current	I_{IO}	$V_O = 1.4V$	25°C	2	50	nA	
			Full range		150		
Average Temperature Coefficient of Input Offset Current	αI_{IO}		Full range	10		$pA/^\circ C$	
Input Bias Current	I_{IB}	$V_O = 1.4V$	25°C	-20	-250	nA	
			Full range		-500		
Common-mode Input Voltage Range	V_{ICR}	$V_{CC} = 5V \text{ to MAX}$	25°C	0 to $V_{CC}-1.5$		V	
			Full range	0 to $V_{CC}-2.0$			
High-level Output Voltage	V_{OH}	$V_{CC} = MAX, R_L = 2k\Omega$	Full range	26		V	
		$V_{CC} = MAX, R_L \geq 10k\Omega$	Full range	27	28		
Low-level Output Voltage	V_{OL}	$R_L \geq 10k\Omega$	Full range	5	20	mV	
Large-signal Differential Voltage Amplification	A_{VD}	$V_{CC} = 15V,$ $V_{OUT} = 1V \text{ to } 11V,$ $R_L \geq 2k\Omega$	25°C	25	100	V/mV	
			Full range	15			
Common-mode Rejection Ratio	CMRR	$V_{CC} = 5V \text{ to MAX,}$ $V_{IC} = V_{ICR(min)}$	25°C	65	80	dB	
Supply Voltage Rejection Ratio ($\Delta V_{CC}/\Delta V_{IO}$)	k_{SVR}	$V_{CC} = 5V \text{ to MAX}$	25°C	65	100	dB	
Crosstalk Attenuation	V_{O1}/V_{O2}	$f = 1 \text{ kHz to } 20 \text{ kHz}$	25°C		120	dB	
Output Current	I_{OUT}	$V_{CC} = 15V,$ $V_{ID} = 1V, V_O = 0$	25°C	-30	-50	mA	
			Full range	-20			
			$V_{CC} = 15V,$ $V_{ID} = -1V, V_O = 15V$	25°C	15	35	mA
				Full range	7		
			$V_{CC} = 15V,$ $V_{ID} = -1V, V_O = 2V$	25°C	15	28	mA
				Full range	12		
Short-circuit Output Current	I_{OS}	$V_{ID} = -1V, V_O = 15V$	25°C	50	70	mA	
			Full range				

Supply Current (two amplifiers)	I_{CC}	$V_O = 2.5V$, No load	Full range		0.7	1.2	mA
		$V_{CC} = \text{MAX}$, $V_O = 0.5V_{CC}$, No load	Full range		1	2	
Slew Rate	SR	$V_{CC} = 15V$, $V_{IN} = 0.5$ to $3V$, $R_L = 2k\Omega$, $C_L = 100pF$, unity gain	$25^\circ C$		0.7		V/ μs
Gain Bandwidth	GBW	$V_{CC} = 30V$, $f = 100kHz$, $V_{IN} = 10mV$, $R_L = 2k\Omega$, $C_L = 100pF$	$25^\circ C$		700		kHz
Total Harmonic Distortion	THD	$f = 1kHz$, $A_v = 20dB$, $R_L = 2k\Omega$, $V_O = 2V_{pp}$, $C_L = 100pF$,	$25^\circ C$		0.04		%

*All characteristics are measured under the open-loop conditions with zero common-mode input voltage, unless otherwise specified. MAX V_{CC} for testing purposes is 36V, $V_{CC(max)} = 45V$. Full range is $-40^\circ C$ to $+125^\circ C$.

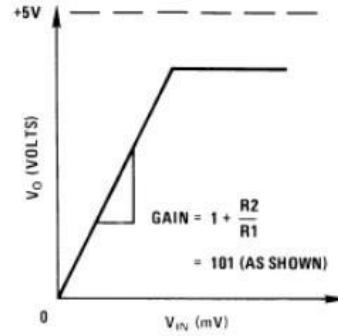
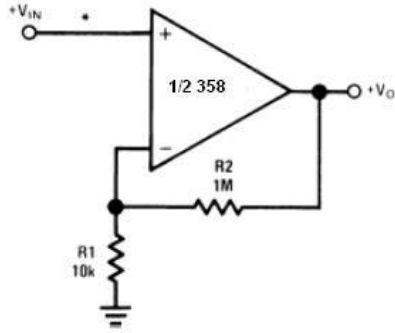
BLOCK DIAGRAM



Typical Single-Supply Applications

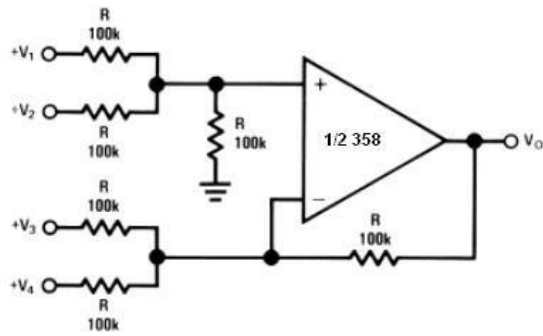
($V^+ = 5.0 V_{DC}$)

Non-Inverting DC Gain (0V Output)



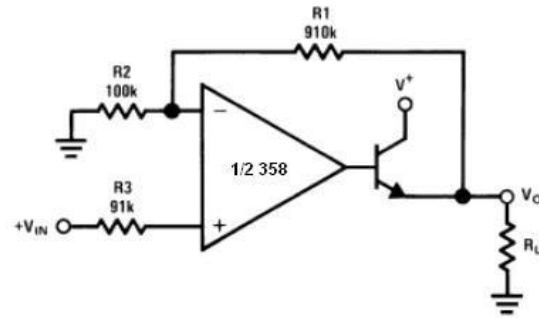
*R not needed due to temperature independent I_{IN}

DC Summing Amplifier
($V_{IN'S} \geq 0 V_{DC}$ and $V_O \geq 0 V_{DC}$)



Where: $V_O = V_1 + V_2 - V_3 - V_4$
($V_1 + V_2 \geq (V_3 + V_4)$ to keep $V_O > 0 V_{DC}$)

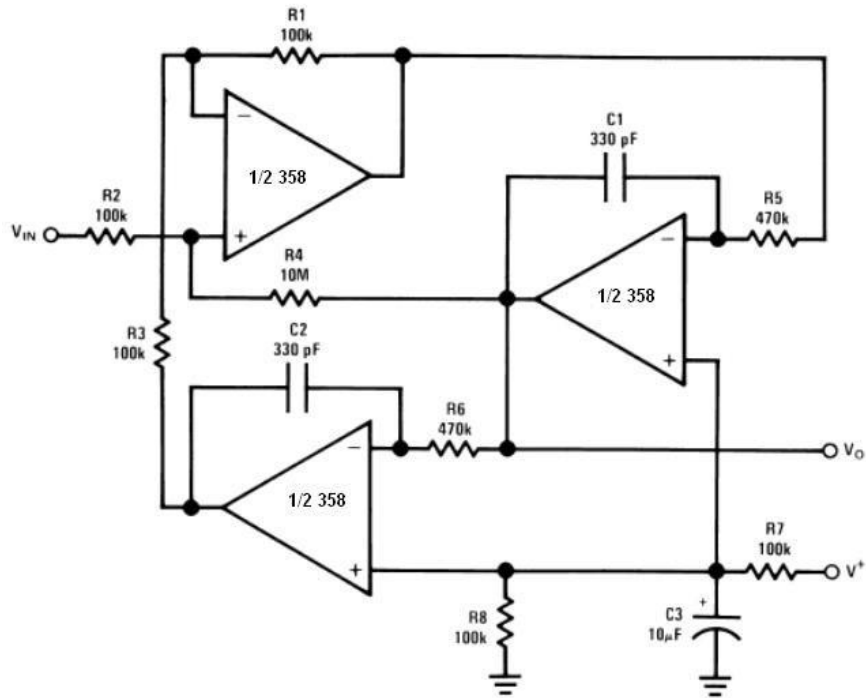
Power Amplifier



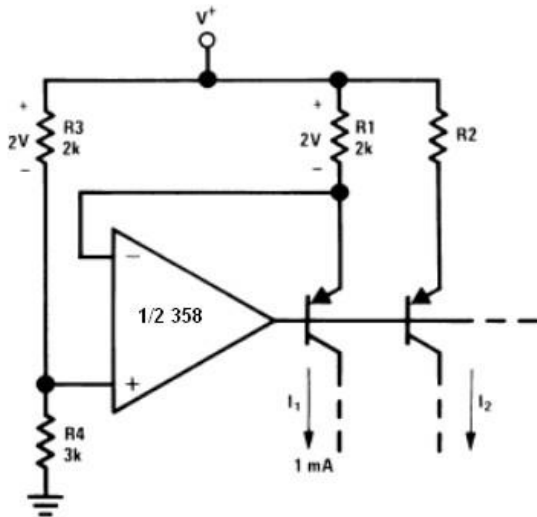
$V_O = 0 V_{DC}$ for $V_{IN} = 0 V_{DC}$
 $A_V = 10$

“BI-QUAD” RC Active Bandpass Filter

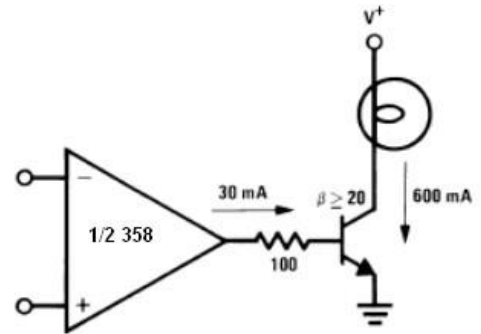
$f_o = 1 \text{ kHz}$
 $Q = 50$
 $A_v = 100 \text{ (40 dB)}$



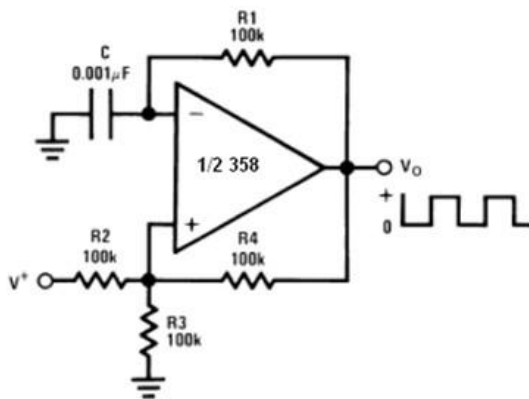
Fixed Current Sources



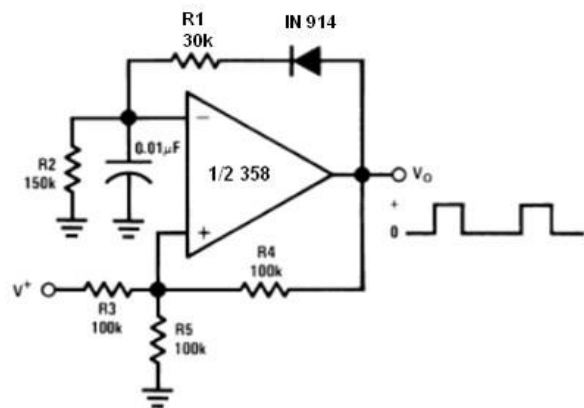
Lamp Driver

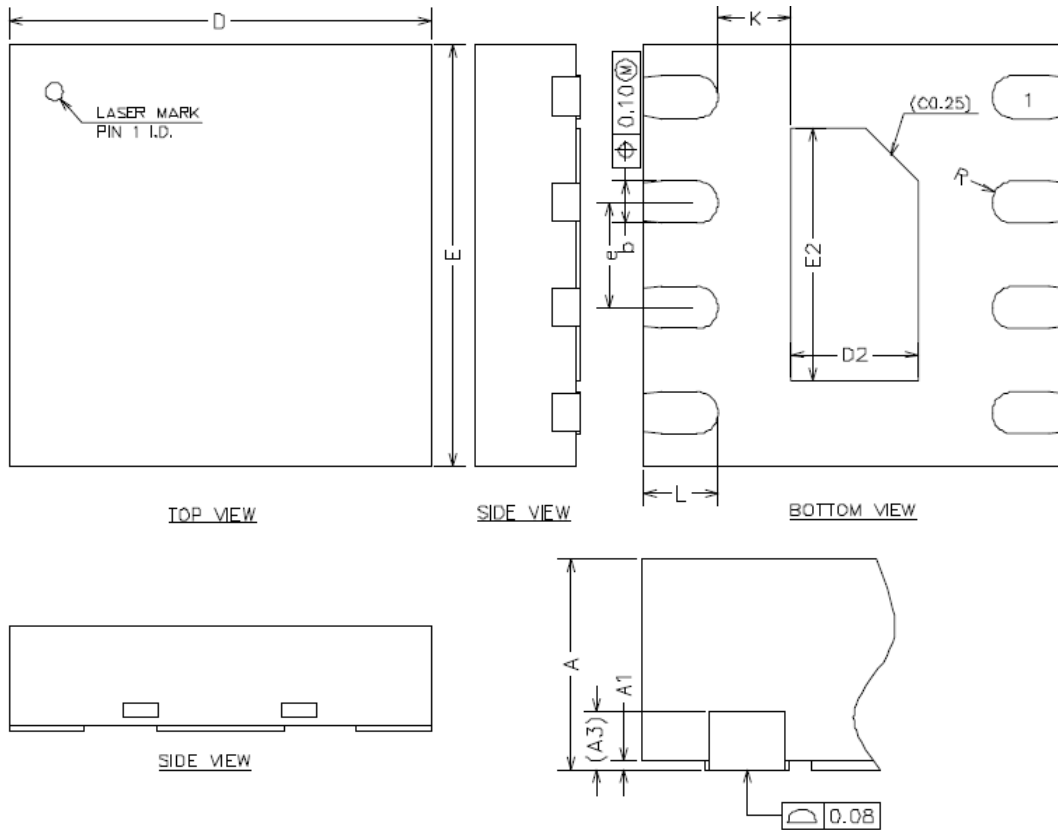


Squarewave Oscillator



Pulse Generator

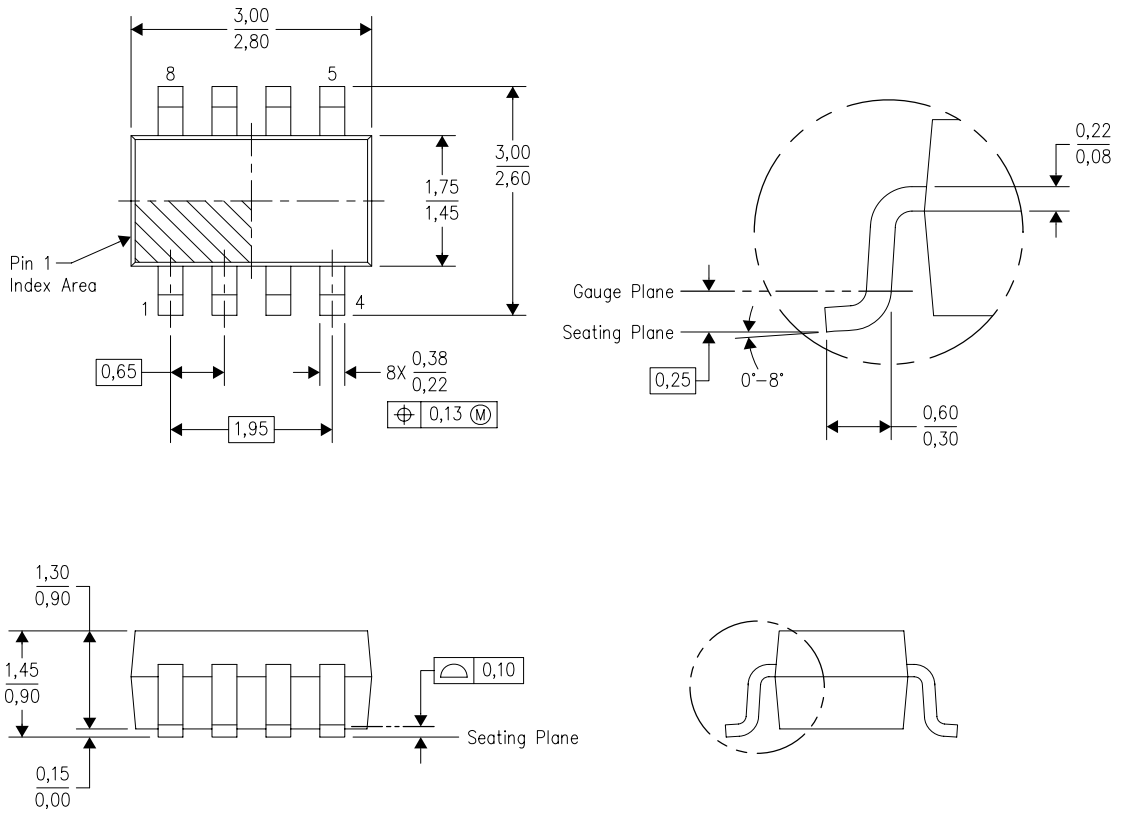


DFN8 2*2


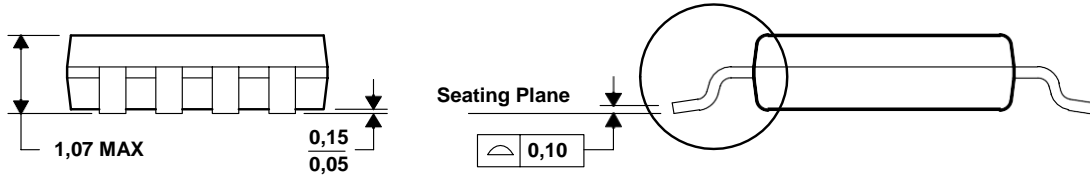
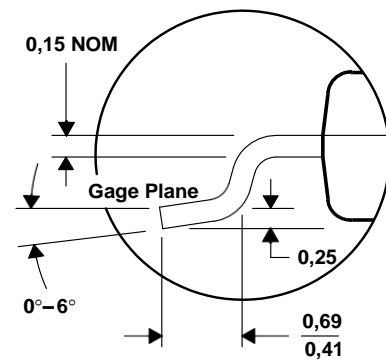
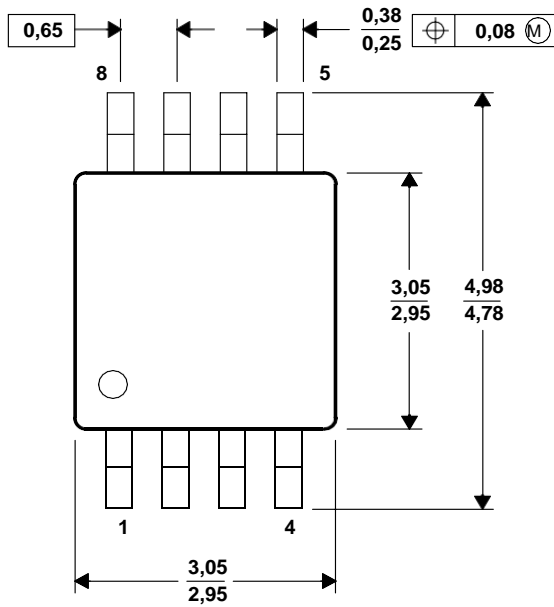
COMMON DIMENSIONS
(UNITS OF MEASURE=MILLIMETER)

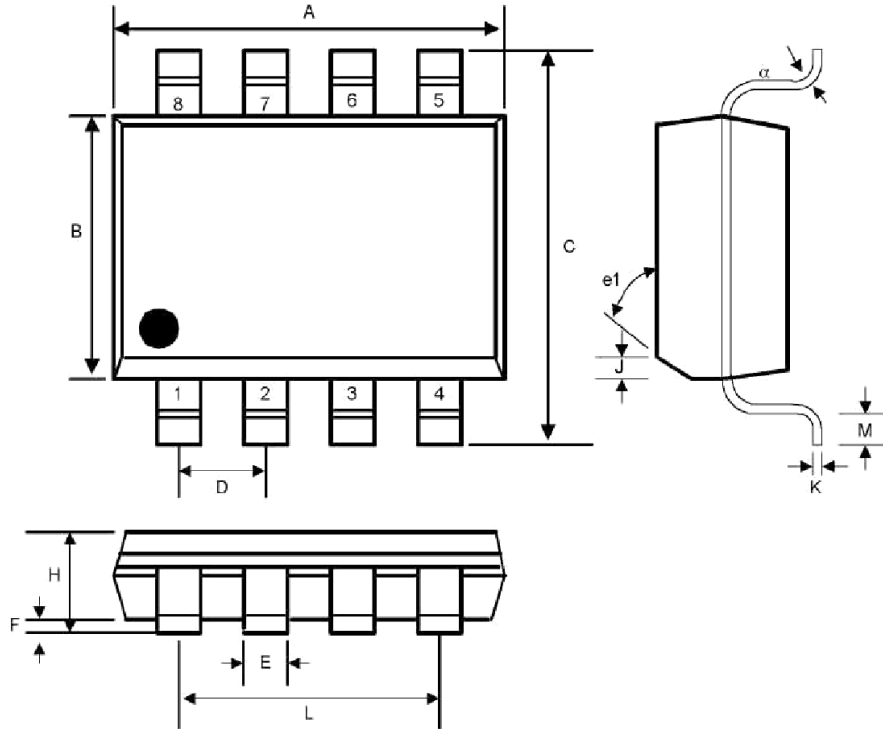
SYMBOL	MIN	NOM	MAX
A	0.70	0.75	0.80
A1	0	0.02	0.05
A3	0.20REF		
b	0.15	0.20	0.25
D	1.90	2.00	2.10
E	1.90	2.00	2.10
D2	0.50	0.60	0.70
E2	1.10	1.20	1.30
e	0.40	0.50	0.60
K	0.20	-	-
L	0.30	0.35	0.40
R	0.09	-	-

SOT23-8L



MSOP8



Small Outline SOP-8


SYMBOL	INCHES		MILLIMETERS		NOTES
	MIN	MAX	MIN	MAX	
A	0.188	0.197	4.80	5.00	-
B	0.149	0.158	3.80	4.00	-
C	0.228	0.244	5.80	6.20	-
D	0.050 BSC		1.27 BSC		-
E	0.013	0.020	0.33	0.51	-
F	0.004	0.010	0.10	0.25	-
H	0.053	0.069	1.35	1.75	-
J	0.011	0.019	0.28	0.48	-
K	0.007	0.010	0.19	0.25	-
M	0.016	0.050	0.40	1.27	-
L	0.150 REF		3.81 REF		-
e1	45 ⁰		45 ⁰		-
α	0 ⁰	8 ⁰	0 ⁰	8 ⁰	-

*All specs and applications shown above subject to change without prior notice.

X-ON Electronics

Largest Supplier of Electrical and Electronic Components

Click to view similar products for [Operational Amplifiers - Op Amps](#) category:

Click to view products by [HTCSEMI](#) manufacturer:

Other Similar products are found below :

[430227FB](#) [UPC451G2-A](#) [UPC824G2-A](#) [LT1678IS8](#) [042225DB](#) [058184EB](#) [UPC822G2-A](#) [UPC258G2-A](#) [NCS5651MNTXG](#)
[NCV33202DMR2G](#) [NJM324E](#) [NTE925](#) [5962-9080901MCA*](#) [AZV358MTR-G1](#) [AP4310AUMTR-AG1](#) [HA1630D02MMEL-E](#)
[HA1630S01LPEL-E](#) [AZV358MMTR-G1](#) [SCY33178DR2G](#) [NJU77806F3-TE1](#) [NCV5652MUTWG](#) [NCV20034DR2G](#) [NTE778S](#) [NTE871](#)
[NTE924](#) [NTE937](#) [MCP6V16UT-E/OT](#) [MCP6V17T-E/MS](#) [MCP6V19T-E/ST](#) [SCY6358ADR2G](#) [NCS20282FCTTAG](#) [LM4565FVT-GE2](#)
[EL5420CRZ-T7A](#) [TSV772IQ2T](#) [TSV792IYST](#) [NJM2100M-TE1](#) [COS2262MR](#) [COS2252MR](#) [COS5532SRB](#) [COS2272MR](#) [LMV358MR](#)
[COS6002MR](#) [LMV358SR](#) [LM358SR](#) [RC4580MM/TR](#) [HGV8544M/TR](#) [HGV8541M/TR](#) [HGV8634M/TR](#) [HGV8542M/TR](#)
[HGV8544MT/TR](#)