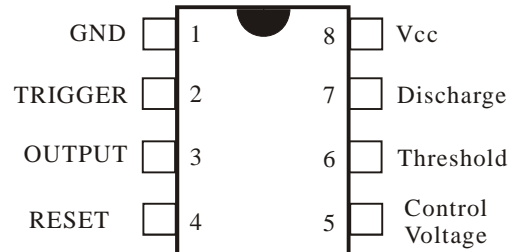


### 1. DESCRIPTION

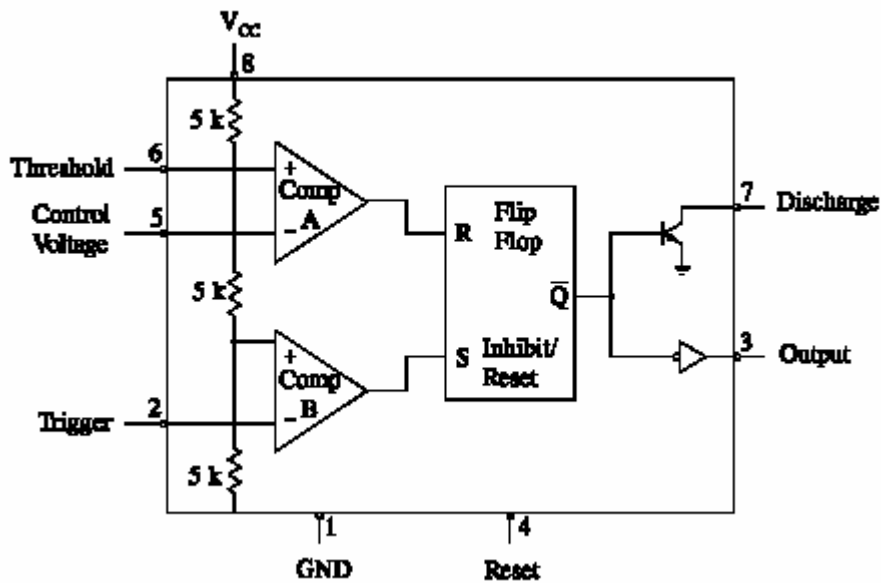
The HT555C monolithic timing circuit is a highly stable controller capable of producing accurate time delays, or oscillation.

### 2. FEATURE

- Direct Replacement for NE555 Timers
- Timing From Microseconds Through Hours
- Operates in Both Astable and Monostable Modes
- High Current Output Can Source or Sink 200 mA



### 3. LOGIC DIAGRAM



### 4. MAXIMUM RATING

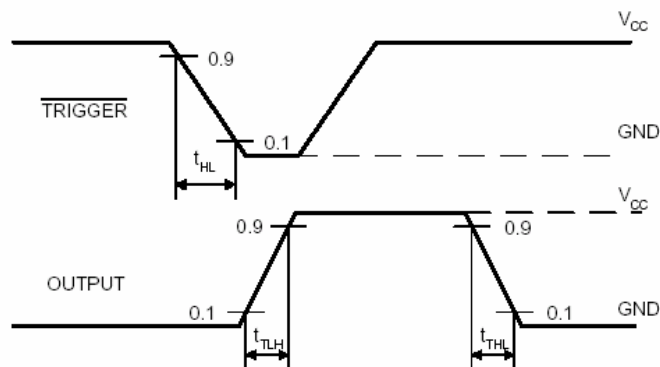
Symbol	Parameter	Value	Unit
$V_{CC}$	Supply Voltage	18	V
$T_{stg}$	Storage Temperature	-60 to +85	°C

### 5. RECOMMENDED OPERATING CONDITIONS

Symbol	Parameter	Min	Max	Unit
$V_{CC}$	Supply Voltage	4.5	16	V
$T_A$	Operation Temperature, All Package Types	-10	+70	°C

**6. ELECTRICAL CHARACTERISTICS (TA = +25°C)**

Symbol	Parameter	Test Conditions	Guaranteed Limits		Temperature, °C	Unit	
			Min	Max			
V <sub>OH</sub>	Output Voltage High	V <sub>CC</sub> =5.0V, V <sub>IL</sub> =1.1V V <sub>IH</sub> =2.6V, I <sub>OH</sub> =100mA	12.75		25±10 -10~ +70	V	
		V <sub>CC</sub> =15V, V <sub>IL</sub> =4.5V V <sub>IH</sub> =9.0V, I <sub>OH</sub> =100mA	2.75				
V <sub>OL</sub>	Output Voltage Low	V <sub>CC</sub> =5.0V, V <sub>IL</sub> =2.2V V <sub>IH</sub> =4.0V, I <sub>IL</sub> =5.0mA		0.35			V
		V <sub>CC</sub> =15V, V <sub>IL</sub> =5.6V V <sub>IH</sub> =11V, I <sub>OL</sub> =10mA		0.25			
		V <sub>CC</sub> =15V, V <sub>IL</sub> =0V V <sub>IH</sub> =15V, I <sub>OL</sub> =50mA		0.75			
		V <sub>CC</sub> =15V, V <sub>IL</sub> =0V V <sub>IH</sub> =15V, I <sub>OL</sub> =100mA		2.3			
V <sub>REF</sub>	Reference Voltage	V <sub>CC</sub> =15V, V <sub>IH</sub> =11V V <sub>IL</sub> =0V	9.0	11.0	V		
		V <sub>CC</sub> =5V, V <sub>IH</sub> =4V V <sub>IL</sub> =0V	2.6	4.0			
I <sub>IL</sub>	Low Level Input Current For pin 04 For pin 02	V <sub>CC</sub> =15V, V <sub>IH</sub> =11V V <sub>IL</sub> =0V		-0.4 -0.002	mA		
I <sub>I</sub>	Input Current	V <sub>CC</sub> =15V, V <sub>IH</sub> =10V V <sub>IL</sub> =0V		0.25 0.45		25±10 -10~+70	μA
I <sub>CC</sub>	Supply Current	V <sub>CC</sub> =5.0V, V <sub>IH</sub> =0V V <sub>IH</sub> =4.0V		6.0	25±10 -10~ +70	mA	
		V <sub>CC</sub> =15V, V <sub>IL</sub> =11V V <sub>IL</sub> =0V		15			
t <sub>OLH</sub>	Rise Time of Output	V <sub>CC</sub> =15V		150		ns	
t <sub>OHL</sub>	Fall Time of Output	V <sub>CC</sub> =15V		150		ns	

**7. SWITCH WAVEFORM**


## X-ON Electronics

Largest Supplier of Electrical and Electronic Components

*Click to view similar products for [Timers & Support Products](#) category:*

*Click to view products by [HTCSEMI](#) manufacturer:*

Other Similar products are found below :

[NLV14541BDG](#) [PT8A2514APE](#) [S-35710M01I-E8T3U](#) [S-35720C01A-K8T2U](#) [VSC8248YJH-02](#) [SA555DR\(UMW\)](#) [HGC555IMM/TR](#)  
[NE555DR-JSM](#) [LM555CM/TR](#) [LM556M/TR](#) [TLC556M/TR](#) [ICM7555N](#) [HGC555IM/TR](#) [HT555CNZ](#) [TLC555-HXY](#) [NE555-HXY](#)  
[SY87700ALZG](#) [LMC555CM](#) [FT8010UMX](#) [GN1113-INE3](#) [NA555S-13](#) [PT8A2511PE](#) [Z84C3008PEG](#) [SA555S-13](#) [SY87701ALHG](#) [S-](#)  
[1410G28-K8T2U4](#) [IS82C54](#) [S-1410H30-K8T2U4](#) [S-35710C01I-K8T2U](#) [S-35770E01I-K8T2U](#) [S-35720C01I-K8T2U](#) [S-35720C02I-K8T2U](#)  
[S-35730C01I-K8T2U](#) [S-35740C01I-K8T2U](#) [S-1410G29-K8T2U4](#) [S-1410A28-K8T2U4](#) [ALD555PAL](#) [ALD7555PAL](#) [NE555S-13](#)  
[ZSCT1555N8TA](#) [CD4541BE](#) [XD4518](#) [NE555L-D08-T](#) [NE555N](#) [NE555N](#) [XD555](#) [XD7555](#) [XD551](#) [LMC555N](#) [LM555N](#)