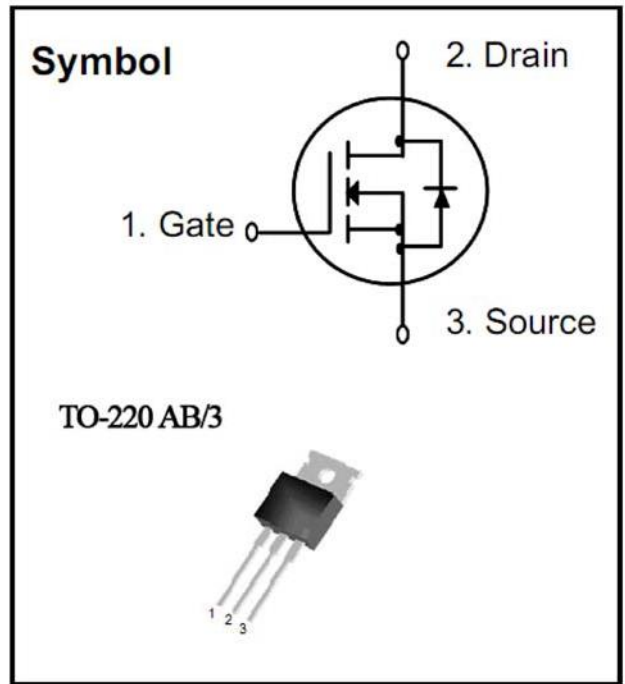


N-Channel MOSFET
Features

- $R_{DS(on)}$ (Max 0.015 Ω)@ $V_{GS}=10V$
- Gate Charge (Typical 25nC)
- Maximum Junction Temperature Range (175 $^{\circ}C$)


Absolute Maximum Ratings

Symbol	Parameter	Value	Units
V_{DSS}	Drain to Source Voltage	60	V
I_D	Continuous Drain Current(@ $T_C = 25^{\circ}C$)	65	A
	Continuous Drain Current(@ $T_C = 100^{\circ}C$)	40	A
I_{DM}	Drain Current Pulsed	200 ^{..1)}	A
V_{GS}	Gate to Source Voltage	± 20	V
E_{AS}	Single Pulsed Avalanche Energy	493 ^{..2)}	mJ
E_{AR}	Repetitive Avalanche Energy	12.0 ^{..1)}	mJ
dv/dt	Peak Diode Recovery dv/dt	7.0 ^{..3)}	V/ns
P_D	Total Power Dissipation(@ $T_C = 25^{\circ}C$)	120	W
	Derating Factor above 25 $^{\circ}C$	0.8	W/ $^{\circ}C$
T_{STG}	Operating Junction Temperature	-55 ~ 175	$^{\circ}C$
T_J	Storage Temperature	150	$^{\circ}C$

Notes

- 1) Repeativity rating : pulse width limited by junction temperature
- 2) $L = 230 \mu H$, $I_{AS} = 65 A$, $V_{DD} = 50 V$, $R_G = 25 \Omega$, Starting $T_J = 25^{\circ}C$
- 3) $I_{SD} \leq 55 A$, $di/dt \leq 300 A/\mu s$, $V_{DD} \leq BV_{DSS}$, Starting $T_J = 25^{\circ}C$

Thermal Characteristics

Symbol	Parameter	Value			Units
		Min.	Typ.	Max.	
$R_{\theta JC}$	Thermal Resistance, Junction-to-Case	-	-	1.24	$^{\circ}\text{C/W}$
$R_{\theta JA}$	Thermal Resistance, Junction-to-Ambient*	-	0.5	-	$^{\circ}\text{C/W}$
$R_{\theta JA}$	Thermal Resistance, Junction-to-Ambient	-	-	62.5	$^{\circ}\text{C/W}$

* When mounted on the minimum pad size recommended (PCB Mount)

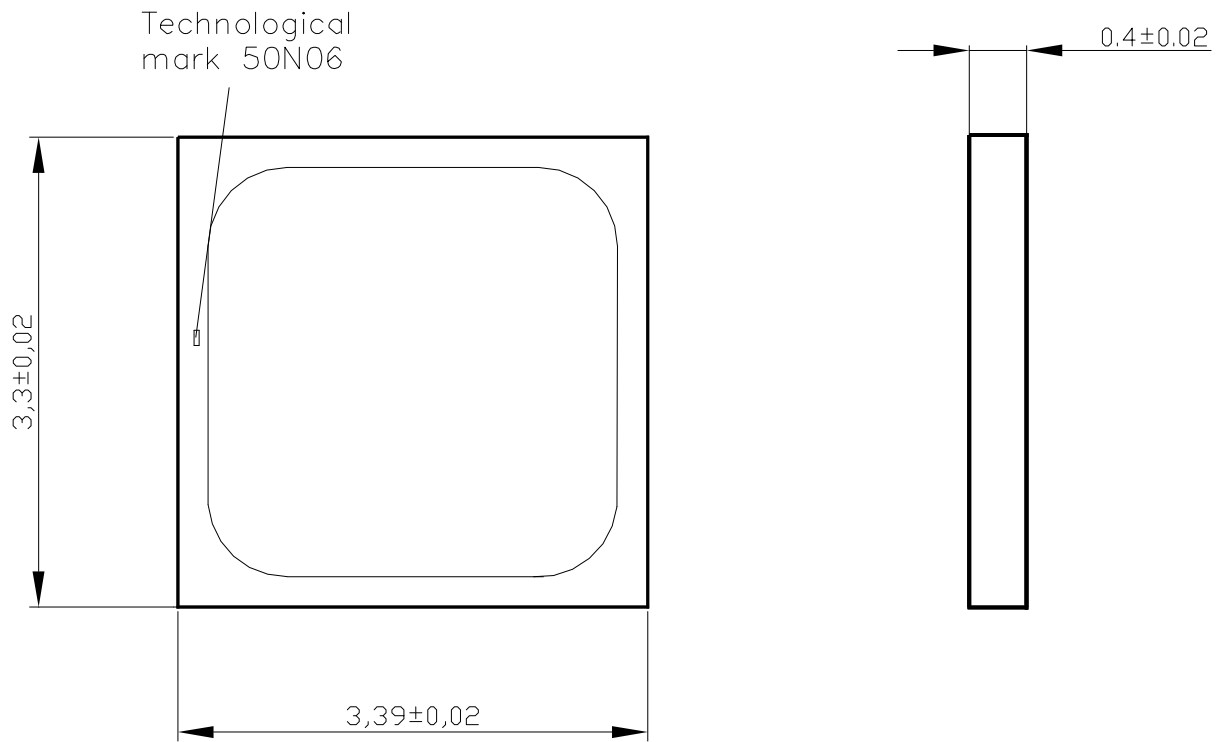
Source-Drain Diode Characteristics and Maximum Ratings

Symbol	Parameter	Test Conditions	Min	Typ	Max	Units
I_S	Maximum Continuous Source-Drain Diode Forward Current		-	-	65	A
I_{SM}	Maximum Pulsed Source-Drain Diode Forward Current		-	-	200	
V_{SD}	Diode Forward Voltage	$I_S = 60\text{ A}, V_{GS} = 0\text{ V}$	-	-	1.5	V
t_{rr}	Reverse Recovery Time	$I_S = 60\text{ A}, V_{GS} = 0\text{ V}, dI_F/dt = 100\text{ A/us}$	-	50	-	ns
Q_{rr}	Reverse Recovery Charge		-	70	-	μC

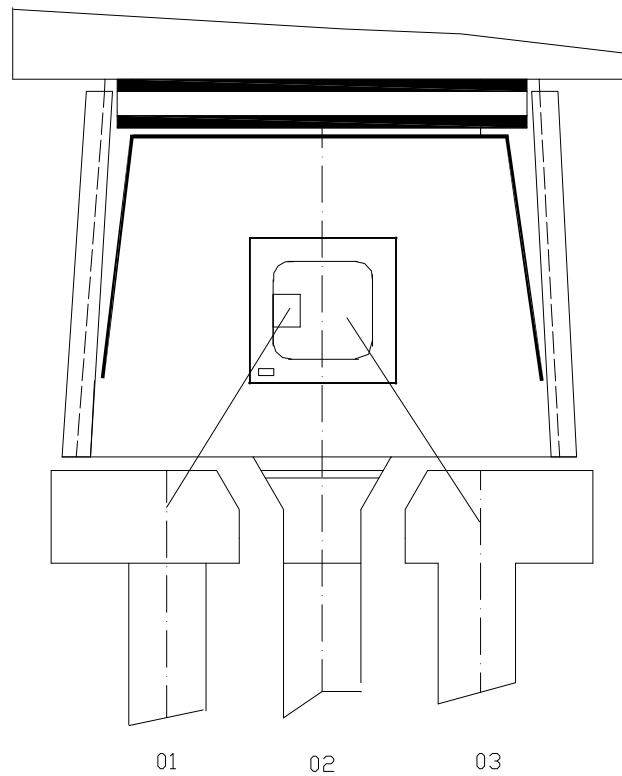
Electrical Characteristics ($T_C = 25\text{ }^\circ\text{C}$ unless otherwise noted)

Symbol	Parameter	Test Conditions	Min	Typ	Max	Units
Off Characteristics						
BV_{DSS}	Drain-Source Breakdown Voltage	$V_{GS} = 0\text{ V}$, $I_D = 250\text{ }\mu\text{A}$	60	-	-	V
$\Delta BV_{DSS}/\Delta T_J$	Breakdown Voltage Temperature coefficient	$I_D = 250\text{ }\mu\text{A}$, referenced to $25\text{ }^\circ\text{C}$	-	0.07	-	V/ $^\circ\text{C}$
I_{DSS}	Drain-Source Leakage Current	$V_{DS} = 60\text{ V}$, $V_{GS} = 0\text{ V}$	-	-	10	μA
		$V_{DS} = 48\text{ V}$, $T_C = 125\text{ }^\circ\text{C}$	-	-	100	μA
I_{GSS}	Gate-Source Leakage, Forward	$V_{GS} = 20\text{ V}$, $V_{DS} = 0\text{ V}$	-	-	100	nA
	Gate-source Leakage, Reverse	$V_{GS} = -20\text{ V}$, $V_{DS} = 0\text{ V}$	-	-	-100	nA
On Characteristics						
$V_{GS(th)}$	Gate Threshold Voltage	$V_{DS} = V_{GS}$, $I_D = 250\text{ }\mu\text{A}$	2.0	-	4.0	V
$R_{DS(ON)}$	Static Drain-Source On-state Resistance	$V_{GS} = 10\text{ V}$, $I_D = 25.0\text{ A}$	-	-	0.015	Ω
Dynamic Characteristics						
C_{iss}	Input Capacitance	$V_{GS} = 0\text{ V}$, $V_{DS} = 25\text{ V}$, $f = 1\text{ MHz}$	-	1050	1365	pF
C_{oss}	Output Capacitance		-	460	600	
C_{riss}	Reverse Transfer Capacitance		-	70	90	
Dynamic Characteristics						
$t_{d(on)}$	Turn-on Delay Time	$V_{DD} = 30\text{ V}$, $I_D = 25.0\text{ A}$, $R_G = 25\text{ }\Omega$ Pulse Width $\leq 300\mu\text{s}$, $Q > 50$	-	20	50	ns
t_r	Rise Time		-	100	210	
$t_{d(off)}$	Turn-off Delay Time		-	80	170	
t_f	Fall Time		-	85	180	
Q_g	Total Gate Charge	$V_{DS} = 48\text{ V}$, $V_{GS} = 10\text{ V}$, $I_D = 60\text{ A}$	-	32	42	nC
Q_{gs}	Gate-Source Charge		-	8	-	
Q_{gd}	Gate-Drain Charge(Miller Charge)		-	12	-	

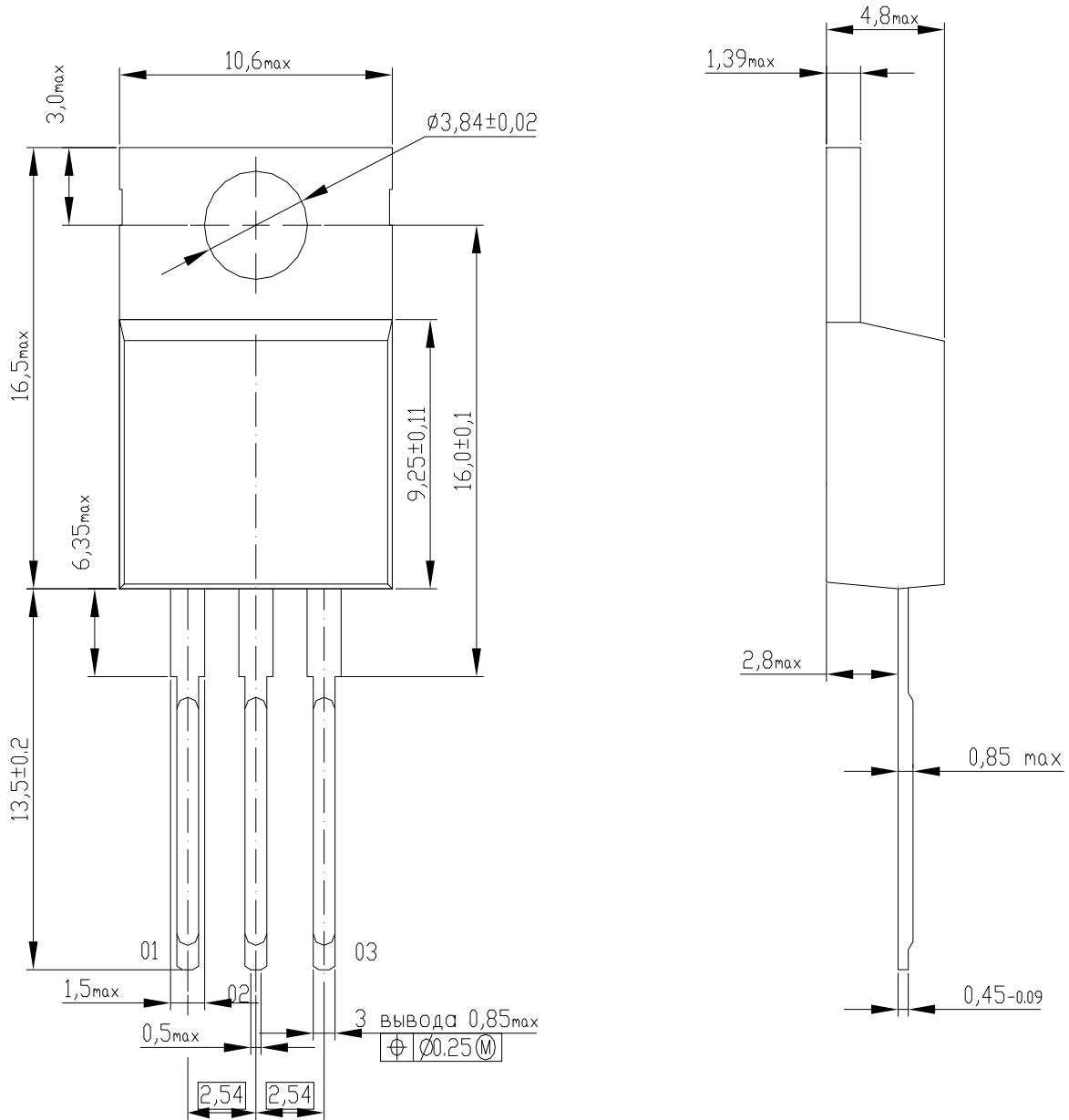
Chip size



Package Chip



Package Dimensions TO-220 AB/3



X-ON Electronics

Largest Supplier of Electrical and Electronic Components

Click to view similar products for [MOSFET](#) category:

Click to view products by [HTCSEMI](#) manufacturer:

Other Similar products are found below :

[614233C](#) [648584F](#) [NTNS3A92PZT5G](#) [IRFD120](#) [IRFF430](#) [JANTX2N5237](#) [2N7000](#) [2SK2464-TL-E](#) [FCA20N60_F109](#) [FDZ595PZ](#) [AOD464](#)
[2SK2267\(Q\)](#) [2SK2545\(Q,T\)](#) [405094E](#) [423220D](#) [MIC4420CM-TR](#) [VN1206L](#) [614234A](#) [715780A](#) [SSM6J414TU,LF\(T](#) [751625C](#)
[IPP60R600P6XKSA1](#) [RJK60S5DPK-M0#T0](#) [BSC884N03MS G](#) [BSF024N03LT3 G](#) [PSMN4R2-30MLD](#) [TK31J60W5,S1VQ\(O](#)
[2SK2614\(TE16L1,Q\)](#) [DMN1017UCP3-7](#) [EFC2J004NUZTDG](#) [FCAB21350L1](#) [P85W28HP2F-7071](#) [DMN1053UCP4-7](#) [NTE2384](#) [NTE2969](#)
[NTE6400A](#) [DMN2080UCB4-7](#) [DMN61D9UWQ-13](#) [US6M2GTR](#) [DMN31D5UDJ-7](#) [SSM6P54TU,LF](#) [DMP22D4UFO-7B](#)
[IPS60R3K4CEAKMA1](#) [DMN1006UCA6-7](#) [DMN16M9UCA6-7](#) [STF5N65M6](#) [STU5N65M6](#) [C3M0021120D](#) [DMN13M9UCA6-7](#)
[BSS340NWH6327XTSA1](#)