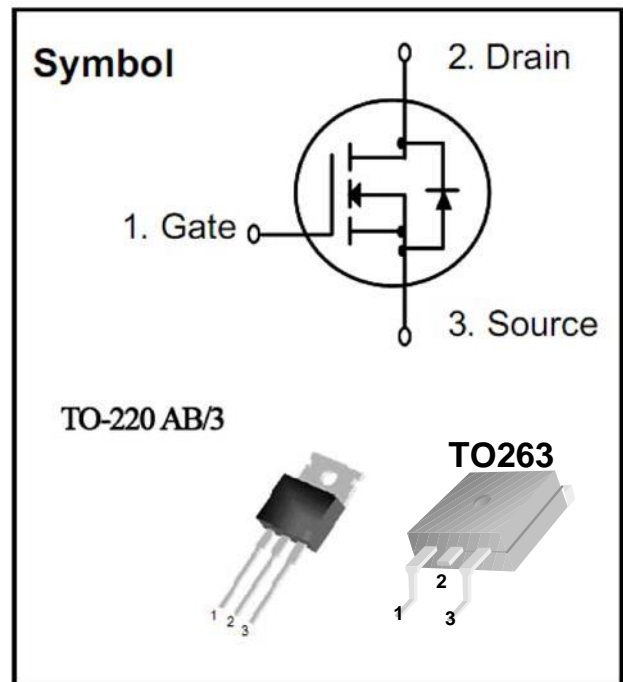


**N-Channel MOSFET**
**Features**

- $R_{DS(on)}$  (Max 0.011  $\Omega$ )@ $V_{GS}=10V$
- Gate Charge (Typical 80 nC)
- Maximum Junction Temperature Range (175 °C)


**Absolute Maximum Ratings**

Symbol	Parameter	Value	Units
$V_{DSS}$	Drain to Source Voltage	80	V
$I_D$	Continuous Drain Current(@ $T_C = 25\text{ }^\circ\text{C}$ )	80	A
	Continuous Drain Current(@ $T_C = 100\text{ }^\circ\text{C}$ )	75	A
$I_{DM}$	Drain Current Pulsed	300 <sup>1)</sup>	A
$V_{GS}$	Gate to Source Voltage	$\pm 20$	V
$E_{AS}$	Single Pulsed Avalanche Energy	1310 <sup>2)</sup>	mJ
$E_{AR}$	Repetitive Avalanche Energy	173 <sup>1)</sup>	mJ
dv/dt	Peak Diode Recovery dv/dt	70 <sup>3)</sup>	V/ns
$P_D$	Total Power Dissipation(@ $T_C = 25\text{ }^\circ\text{C}$ )	173	W
	Derating Factor above 25 °C	1.15	W/°C
$T_{STG}$	Operating Junction Temperature	-55 ~ 175	°C
$T_J$	Storage Temperature	150	°C

**Notes**

1).. Repeativity rating : pulse width limited by junction temperature

2)..  $L = 0.32\text{ mH}$ ,  $I_{AS} = 75\text{ A}$ ,  $V_{DD} = 50\text{ V}$ ,  $R_G = 25\text{ }\Omega$ , Starting  $T_J = 25\text{ }^\circ\text{C}$

3)..  $I_{SD} \leq 75\text{ A}$ ,  $di/dt \leq 300\text{ A/us}$ ,  $V_{DD} \leq BV_{DSS}$ , Starting  $T_J = 25\text{ }^\circ\text{C}$

**Thermal Characteristics**

Symbol	Parameter	Value			Units
		Min.	Typ.	Max.	
$R_{\theta JC}$	Thermal Resistance, Junction-to-Case	-	-	0.87	$^{\circ}\text{C}/\text{W}$
$R_{\theta JA}$	Thermal Resistance, Junction-to-Ambient*	-	0.5	-	$^{\circ}\text{C}/\text{W}$
$R_{\theta JA}$	Thermal Resistance, Junction-to-Ambient	-	-	62.5	$^{\circ}\text{C}/\text{W}$

\* When mounted on the minimum pad size recommended (PCB Mount)

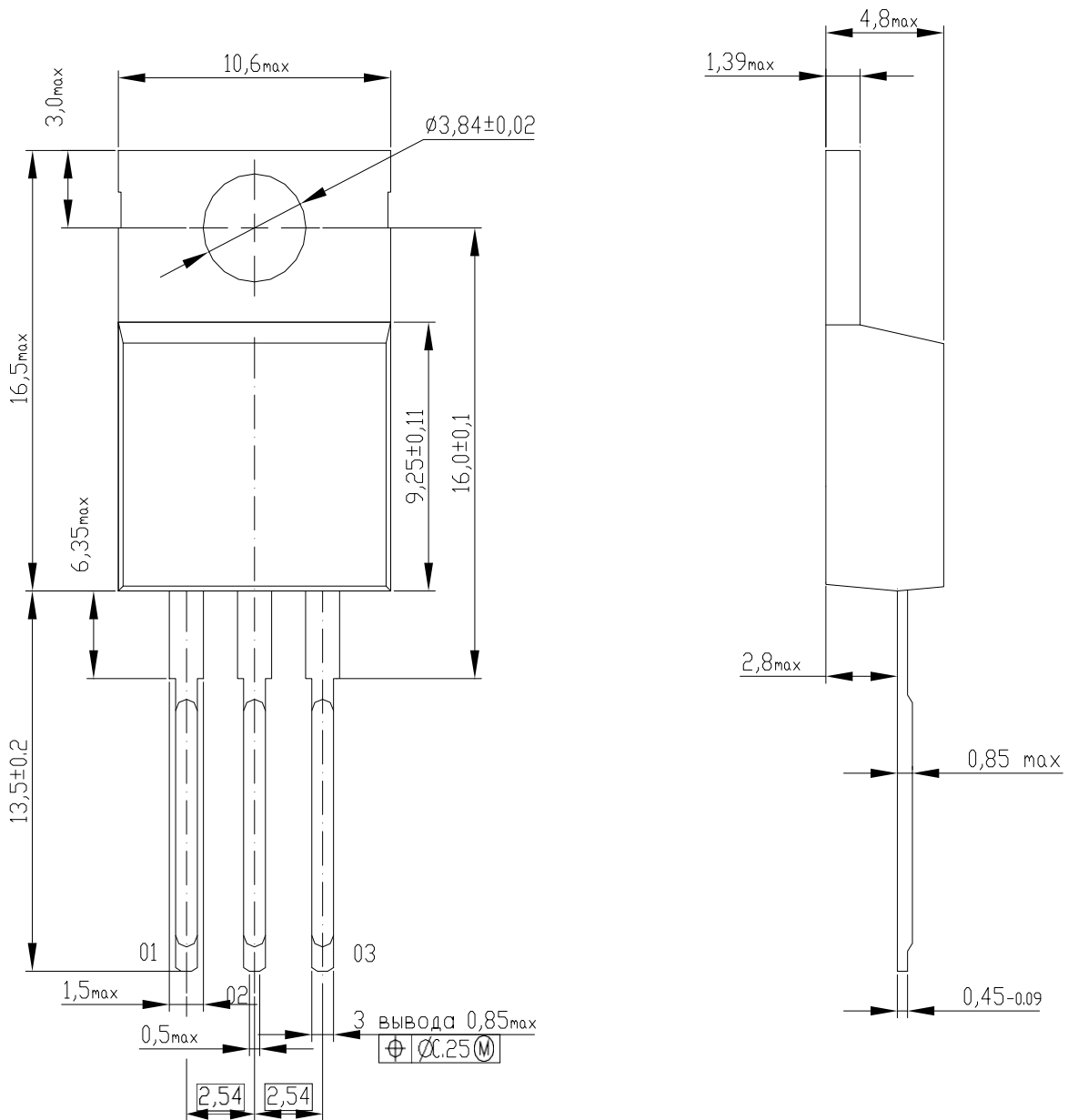
**Source-Drain Diode Characteristics and Maximum Ratings**

Symbol	Parameter	Test Conditions	Min	Typ	Max	Units
$I_S$	Maximum Continuous Source-Drain Diode Forward Current		-	-	80	A
$I_{SM}$	Maximum Pulsed Source-Drain Diode Forward Current		-	-	320	
$V_{SD}$	Diode Forward Voltage	$I_S = 100\text{ A}, V_{GS} = 0\text{ V}$	-	-	1.5	V
$t_{rr}$	Reverse Recovery Time	$I_S = 100\text{ A}, V_{GS} = 0\text{ V}, dI_F/dt = 100\text{ A}/\mu\text{s}$	-	90	-	ns
$Q_{rr}$	Reverse Recovery Charge		-	250	-	$\mu\text{C}$

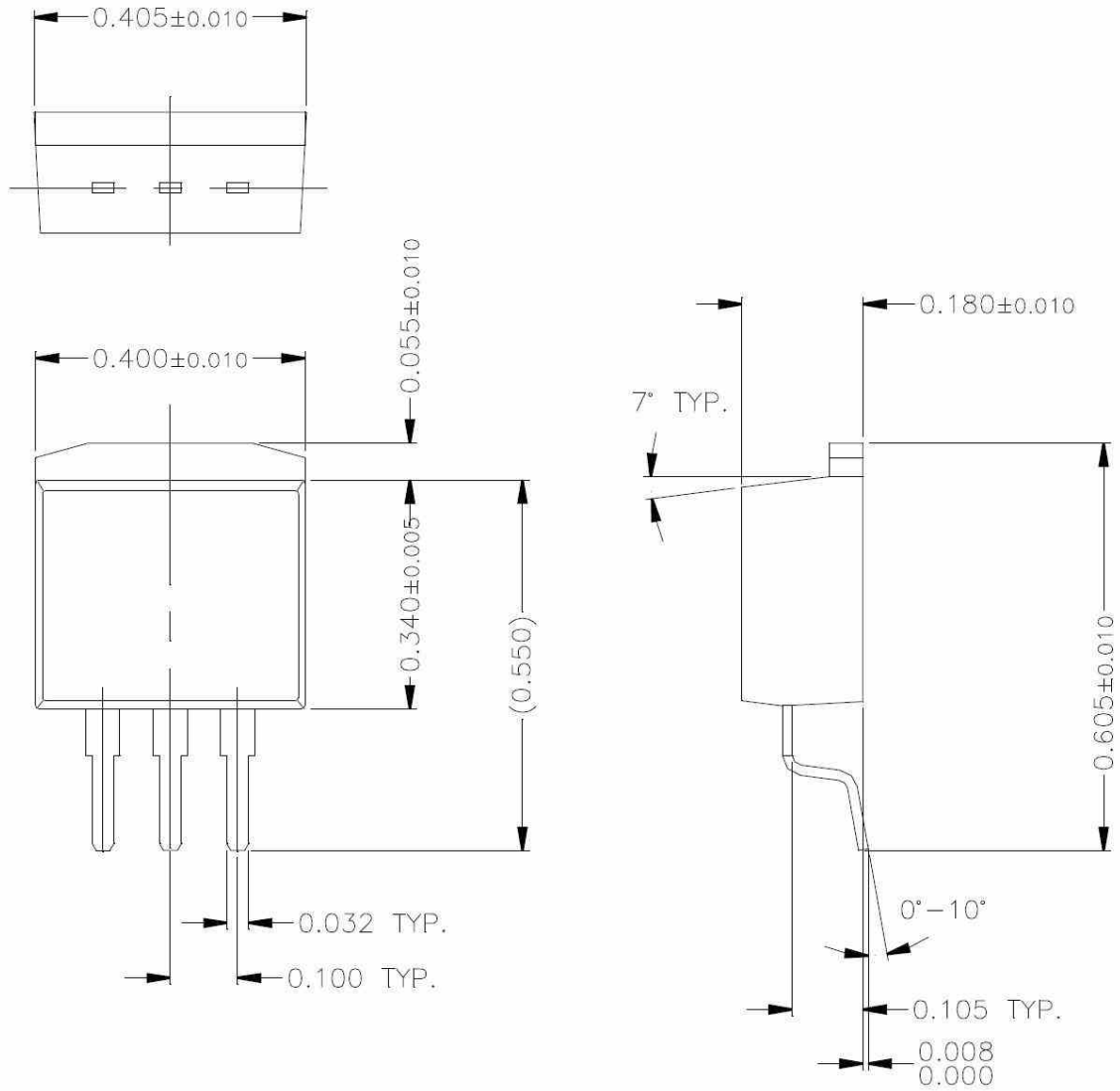
**Electrical Characteristics** (  $T_C = 25\text{ }^\circ\text{C}$  unless otherwise noted )

Symbol	Parameter	Test Conditions	Min	Typ	Max	Units
<b>Off Characteristics</b>						
$BV_{DSS}$	Drain-Source Breakdown Voltage	$V_{GS} = 0\text{ V}$ , $I_D = 250\text{ }\mu\text{A}$	80	-	-	V
$\Delta BV_{DSS}/\Delta T_J$	Breakdown Voltage Temperature coefficient	$I_D = 250\text{ }\mu\text{A}$ , referenced to $25\text{ }^\circ\text{C}$	-	0.08	-	V/ $^\circ\text{C}$
$I_{DSS}$	Drain-Source Leakage Current	$V_{DS} = 80\text{ V}$ , $V_{GS} = 0\text{ V}$	-	-	10	$\mu\text{A}$
		$V_{DS} = 64\text{ V}$ , $T_C = 125\text{ }^\circ\text{C}$	-	-	100	$\mu\text{A}$
$I_{GSS}$	Gate-Source Leakage, Forward	$V_{GS} = 20\text{ V}$ , $V_{DS} = 0\text{ V}$	-	-	100	nA
	Gate-source Leakage, Reverse	$V_{GS} = -20\text{ V}$ , $V_{DS} = 0\text{ V}$	-	-	-100	nA
<b>On Characteristics</b>						
$V_{GS(th)}$	Gate Threshold Voltage	$V_{DS} = V_{GS}$ , $I_D = 250\text{ }\mu\text{A}$	2.0	-	4.0	V
$R_{DS(ON)}$	Static Drain-Source On-state Resistance	$V_{GS} = 10\text{ V}$ , $I_D = 37.5\text{ A}$	-	-	0.008	$\Omega$
<b>Dynamic Characteristics</b>						
$C_{iss}$	Input Capacitance	$V_{GS} = 0\text{ V}$ , $V_{DS} = 25\text{ V}$ , $f = 1\text{ MHz}$	-	2600	3380	pF
$C_{oss}$	Output Capacitance		-	940	1220	
$C_{riss}$	Reverse Transfer Capacitance		-	210	275	
<b>Dynamic Characteristics</b>						
$t_{d(on)}$	Turn-on Delay Time	$V_{DD} = 40\text{ V}$ , $I_D = 100\text{ A}$ , $R_G = 25\text{ }\Omega$ Pulse Width $\leq 300\text{ }\mu\text{s}$ , $Q > 50$	-	30	70	ns
$t_r$	Rise Time		-	225	460	
$t_{d(off)}$	Turn-off Delay Time		-	165	340	
$t_f$	Fall Time		-	155	320	
$Q_g$	Total Gate Charge	$V_{DS} = 64\text{ V}$ , $V_{GS} = 10\text{ V}$ , $I_D = 100\text{ A}$	-	80	105	nC
$Q_{gs}$	Gate-Source Charge		-	15	-	
$Q_{gd}$	Gate-Drain Charge(Miller Charge)		-	32	-	

**Package Dimensions TO-220 AB/3**



TO-263-3L PKG OUTLINE DIMENSIONS



## X-ON Electronics

Largest Supplier of Electrical and Electronic Components

*Click to view similar products for [MOSFET](#) category:*

*Click to view products by [HTCSEMI](#) manufacturer:*

Other Similar products are found below :

[IRFD120](#) [JANTX2N5237](#) [BUK455-60A/B](#) [MIC4420CM-TR](#) [VN1206L](#) [NDP4060](#) [SI4482DY](#) [IPS70R2K0CEAKMA1](#) [SQD23N06-31L-GE3](#)  
[TK16J60W,S1VQ\(O](#) [2SK2614\(TE16L1,Q\)](#) [DMN1017UCP3-7](#) [DMN1053UCP4-7](#) [SQJ469EP-T1-GE3](#) [NTE2384](#) [DMC2700UDMQ-7](#)  
[DMN2080UCB4-7](#) [DMN61D9UWQ-13](#) [US6M2GTR](#) [DMN31D5UDJ-7](#) [DMP22D4UFO-7B](#) [DMN1006UCA6-7](#) [DMN16M9UCA6-7](#)  
[STF5N65M6](#) [IRF40H233XTMA1](#) [STU5N65M6](#) [DMN6022SSD-13](#) [DMN13M9UCA6-7](#) [DMTH10H4M6SPS-13](#) [DMN2990UFB-7B](#)  
[IPB80P04P405ATMA2](#) [2N7002W-G](#) [MCAC30N06Y-TP](#) [MCQ7328-TP](#) [BXP7N65D](#) [BXP4N65F](#) [AOL1454G](#) [WMJ80N60C4](#) [BXP2N20L](#)  
[BXP2N65D](#) [BXT1150N10J](#) [BXT1700P06M](#) [TSM60NB380CP ROG](#) [RQ7L055BGTCR](#) [DMNH15H110SK3-13](#) [SLF10N65ABV2](#)  
[BSO203SP](#) [BSO211P](#) [IPA60R230P6](#) [IPA60R460CE](#)