

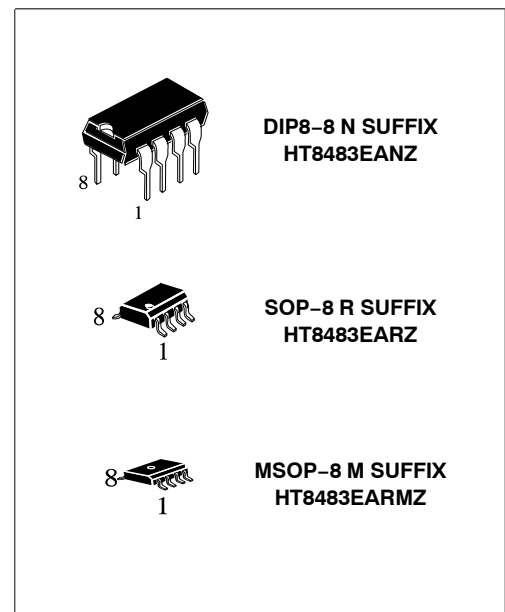
## CMOS – Low-Power, Slew-Rate-Limited RS-485/RS-422 Transceivers

### GENERAL DESCRIPTION

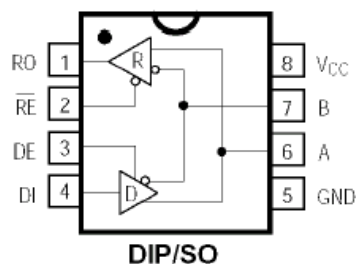
The HT8483 is low-power transceivers for RS-485 and RS-422 communication. IC contains one driver and one receiver. The driver slew rates of the HT8483 is not limited, allowing them to transmit up to 2.5Mbps. These transceivers draw between 120 $\mu$ A current when unloaded or fully loaded with disabled drivers. All parts operate from a single 5V supply. Drivers are short-circuit current limited and are protected against excessive power dissipation by thermal shutdown circuitry that places the driver outputs into a high-impedance state. The receiver input has a fail-safe feature that guarantees a logic-high output if the input is open circuit. The HT8483 is designed for half-duplex applications.

### FEATURES

- Extended ESD Protection for RS-485/RS-422 I/OPins  $\pm 15$ kV Using Human Body Model
- Low Quiescent Current: 120 $\mu$ A
- 7V to +12V Common-Mode Input Voltage Range
- Three-State Outputs
- 30ns Propagation Delays, 5ns Skew
- Full-Duplex and Half-Duplex Versions Available
- Operate from a Single 5V Supply
- Allows up to 32 Transceivers on the Bus
- Data rate: 2,5Mbps
- Current-Limiting and Thermal Shutdown for Driver Overload Protection



### Pinning



### ABSOLUTE MAXIMUM RATINGS

Supply Voltage ( $V_{CC}$ ) 12V  
 Control Input Voltage -0.5V to ( $V_{CC} + 0.5$ V)  
 Driver Input Voltage (DI) -0.5V to ( $V_{CC} + 0.5$ V)  
 Driver Output Voltage (A, B) -8V to +12.5V  
 Receiver Input Voltage (A, B) -8V to +12.5V  
 Receiver Output Voltage (RO) -0.5V to ( $V_{CC} + 0.5$ V)

Continuous Power Dissipation  
 8-Pin Plastic DIP (derate 9.09mW/ $^{\circ}$ C) 727mW  
 8-Pin SO (derate 5.88mW/ $^{\circ}$ C) 471mW  
 Operating Temperature Ranges -40 $^{\circ}$ C to +85 $^{\circ}$ C  
 Storage Temperature Range -65 $^{\circ}$ C to +160 $^{\circ}$ C  
 Lead Temperature (soldering, 10sec) +300 $^{\circ}$ C

**DC ELECTRICAL CHARACTERISTICS**

 ( $V_{CC} = 5V \pm 5\%$ ,  $T_A = T_{MIN}$  to  $T_{MAX}$ , unless otherwise noted.) (Notes 1, 2)

| PARAMETER   | SYMBOL       | CONDITIONS                 | MIN       | TYP | MAX     | UNITS   |
|---|--------------|----------------------------|-----------|-----|---------|---------|
| Differential Driver Output (no load)  | VOD1         |                            |           |     | 5       | V       |
| Differential Driver Output (with load)  | VOD2         | R = 50Ω (RS-422)           | 2         |     |         | V       |
|   |              | R = 27Ω (RS-485), Figure 4 | 1.5       |     | 5       |         |
| Change in Magnitude of Driver Differential Output Voltage for Complementary Output States | $\Delta VOD$ | R = 27Ω or 50Ω, Figure 4   |           |     | 0.2     | V       |
| Driver Common-Mode Output Voltage   | VOC          | R = 27Ω or 50Ω, Figure 4   |           |     | 3       | V       |
| Change in Magnitude of Driver Common-Mode Output Voltage for Complementary Output States  | $\Delta VOC$ | R = 27Ω or 50Ω, Figure 4   |           |     | 0.2     | V       |
| Input High Voltage  | VIH          | DE, DI, RE                 | 2.0       |     |         | V       |
| Input Low Voltage   | VIL          | DE, DI, RE                 |           |     | 0.8     | V       |
| Input Current   | IIN1         | DE, DI, RE                 |           |     | $\pm 2$ | $\mu A$ |
| Input Current (A, B)  | IIN2         | DE = 0V;                   | VIN = 12V |     | 1.0     | mA      |
|   |              | VCC = 0V or 5.25V,         | VIN = -7V |     | -0.8    |         |
| Receiver Differential Threshold Voltage   | VTH          | $-7V \leq V_{CM} \leq 12V$ | -0.2      |     | 0.2     | V       |
| Receiver Input Hysteresis   | $\Delta VTH$ | VCM = 0V                   |           | 70  |         | mV      |
| Receiver Output High Voltage  | VOH          | IO = -4mA, VID = 200mV     | 3.5       |     |         | V       |
| Receiver Output Low Voltage   | VOL          | IO = 4mA, VID = -200mV     |           |     | 0.4     | V       |
| Three-State (high impedance) Output Current at Receiver                                   | IOZR         | $0.4V \leq VO \leq 2.4V$   |           |     | $\pm 1$ | $\mu A$ |
| Receiver Input Resistance   | RIN          | $-7V \leq V_{CM} \leq 12V$ |           |     |         | kΩ      |

**DC ELECTRICAL CHARACTERISTICS (continued)**

 ( $V_{CC} = 5V \pm 5\%$ ,  $T_A = T_{MIN}$  to  $T_{MAX}$ , unless otherwise noted.) (Notes 1, 2)

| PARAMETER                       | SYMBOL | CONDITIONS                      | MIN | TYP | MAX | UNITS   |
|---------------------------------|--------|---------------------------------|-----|-----|-----|---------|
| No-Load Supply Current (Note 3) | ICC    | DE = VCC                        |     | 500 | 900 |         |
|                                 |        | RE = 0V or VCC                  |     | 300 | 500 | $\mu A$ |
|                                 |        | DE = 0V                         |     |     |     |         |
| Driver Short-Circuit Current,   |        |                                 |     |     |     |         |
|                                 | IOSD1  | $-7V \leq VO \leq 12V$ (Note 4) | 35  |     | 250 | mA      |
| VO = High                       |        |                                 |     |     |     |         |
| Driver Short-Circuit Current,   |        |                                 |     |     |     |         |
|                                 | IOSD2  | $-7V \leq VO \leq 12V$ (Note 4) | 35  |     | 250 | mA      |
| VO = Low                        |        |                                 |     |     |     |         |
| Receiver Short-Circuit Current  | IOSR   | $0V \leq VO \leq V_{CC}$        | 7   |     | 95  | mA      |

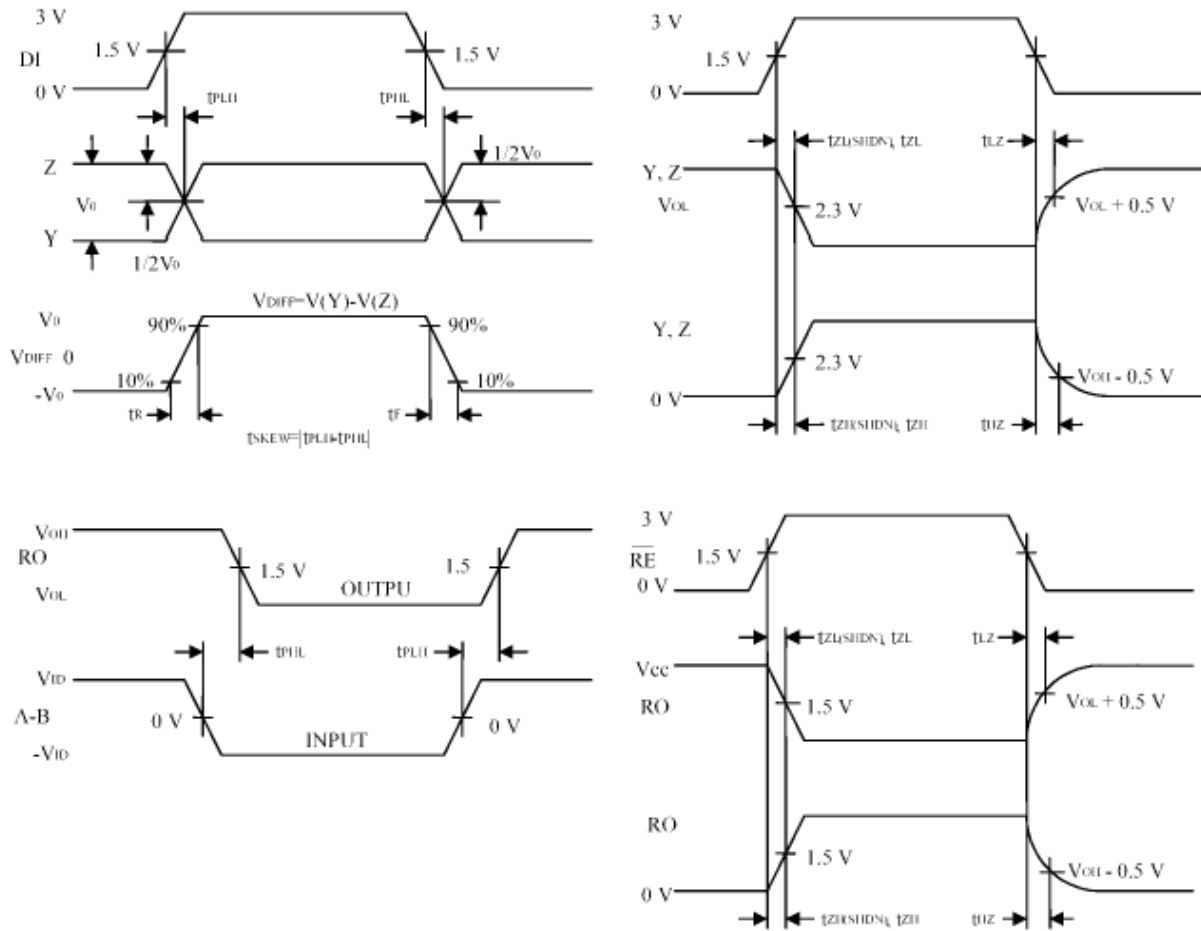
**SWITCHING CHARACTERISTICS**

 (V<sub>CC</sub> = 5V ±5%, T<sub>A</sub> = T<sub>MIN</sub> to T<sub>MAX</sub>, unless otherwise noted.) (Notes 1, 2)

| PARAMETER                       | SYMBOL | CONDITIONS                     | MIN | TYP | MAX | UNITS |
|---------------------------------|--------|--------------------------------|-----|-----|-----|-------|
| Driver Input to Output          | tPLH   | RDIFF = 54Ω                    | 10  | 30  | 60  | ns    |
|                                 | tPHL   | CL1 = CL2 = 100pF              | 10  | 30  | 60  |       |
| Driver Output Skew to Output    | tSKEW  | RDIFF = 54Ω, CL1 = CL2 = 100pF |     | 5   | 10  | ns    |
| Driver Enable to Output High    | tZH    | CL= 100pF, S2 closed           |     | 40  | 70  | ns    |
| Driver Enable to Output Low     | tZL    | CL= 100pF, S1 closed           |     | 40  | 70  | ns    |
| Driver Disable Time from Low    | tLZ    | CL= 15pF, S1 closed            |     | 40  | 70  | ns    |
| Driver Disable Time from High   | tHZ    | CL= 15pF, S2 closed            |     | 40  | 70  | ns    |
| tPLH - tPHL   Differential      | tSKD   | RDIFF = 54Ω                    |     | 13  |     | ns    |
| Receiver Skew                   |        | CL1 = CL2 = 100pF              |     |     |     |       |
| Receiver Enable to Output Low   | tZL    | CRL = 15pF, S1 closed          |     | 20  | 50  | ns    |
| Receiver Enable to Output High  | tZH    | CRL = 15pF, S2 closed          |     | 20  | 50  | ns    |
| Receiver Disable Time from Low  | tLZ    | CRL = 15pF, S1 closed          |     | 20  | 50  | ns    |
| Receiver Disable Time from High | tHZ    | CRL = 15pF, S2 closed          |     | 20  | 50  | ns    |
| Maximum Data Rate               | fMAX   |                                | 2.5 |     |     | Mbps  |

**Notes:**

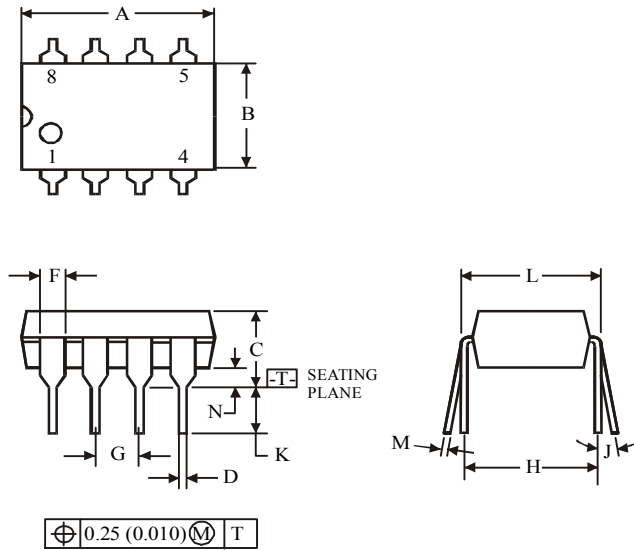
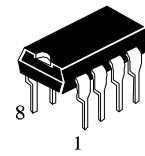
1. All currents into device pins are positive; all currents out of device pins are negative. All voltages are referenced to device ground unless otherwise specified.
2. All typical specifications are given for V<sub>CC</sub> = 5V and T<sub>A</sub> = +25°C
3. Supply current specification is valid for loaded transmitters when DE = 0V
4. Applies to peak current. See *Typical Operating Characteristics*.

**Operation timing diagrams**


| Transmission |    |    |           |   | Receipt |    |       |         |
|--------------|----|----|-----------|---|---------|----|-------|---------|
| Inputs       |    |    | Outputs X |   | Inputs  |    |       | Outputs |
| RE           | DE | DI | Z         | Y | RE      | DE | A-B   | RO      |
| X            | 1  | 1  | 0         | 1 | 0       | 0  | +0.2V | 1       |
| X            | 1  | 0  | 1         | 0 | 0       | 0  | -0.2V | 0       |
| 0            | 0  | X  | Z         | Z | 0       | 0  | open  | 1       |
| 1            | 0  | X  | Z         | Z | 1       | 0  | X     | Z       |

X-don't care

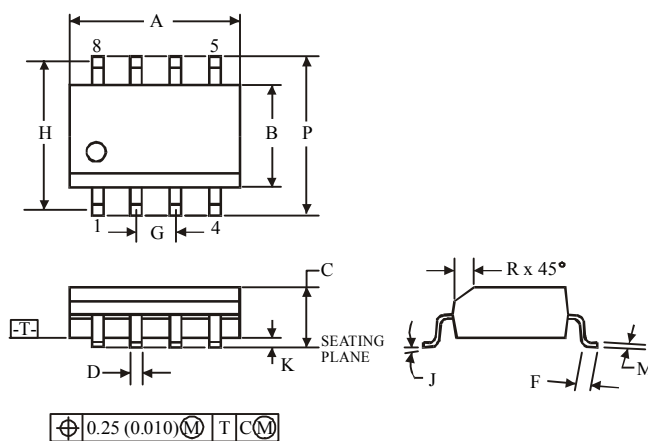
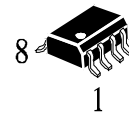
Z-high resistance

**(DIP8)**


| Symbol | Dimension, mm |       |
|--------|---------------|-------|
|        | MIN           | MAX   |
| A      | 8.51          | 10.16 |
| B      | 6.1           | 7.11  |
| C      |               | 5.33  |
| D      | 0.36          | 0.56  |
| F      | 1.14          | 1.78  |
| G      | 2.54          |       |
| H      | 7.62          |       |
| J      | 0°            | 10°   |
| K      | 2.92          | 3.81  |
| L      | 7.62          | 8.26  |
| M      | 0.2           | 0.36  |
| N      | 0.38          |       |

**NOTES:**

- Dimensions "A", "B" do not include mold flash or protrusions.  
Maximum mold flash or protrusions 0.25 mm (0.010) per side.

**(SOP8)**


| Symbol | Dimension, mm |      |
|--------|---------------|------|
|        | MIN           | MAX  |
| A      | 4.8           | 5    |
| B      | 3.8           | 4    |
| C      | 1.35          | 1.75 |
| D      | 0.33          | 0.51 |
| F      | 0.4           | 1.27 |
| G      | 1.27          |      |
| H      | 5.72          |      |
| J      | 0°            | 8°   |
| K      | 0.1           | 0.25 |
| M      | 0.19          | 0.25 |
| P      | 5.8           | 6.2  |
| R      | 0.25          | 0.5  |

**NOTES:**

- Dimensions A and B do not include mold flash or protrusion.
- Maximum mold flash or protrusion 0.15 mm (0.006) per side for A; for B - 0.25 mm (0.010) per side.

## X-ON Electronics

Largest Supplier of Electrical and Electronic Components

*Click to view similar products for [RS-422/RS-485 Interface IC](#) category:*

*Click to view products by [HTCSEMI](#) manufacturer:*

Other Similar products are found below :

[SP3494CN-L/TR](#) [ISL4486IBZ-T](#) [ISL4491EIB](#) [ISL4491EIBZ-T](#) [ISL81483IB](#) [ISL83086EIB](#) [ISL83088EIB](#) [ISL83488IB](#) [ISL8483EIB](#)  
[ISL8487EIB](#) [ISL8489EIB](#) [ISL8491IP](#) [ADM489AN](#) [CA-IF4820HM](#) [CS48505M](#) [CS485S](#) [CS817x22HS](#) [MAX485ESA-MS](#) [MAX3085](#)  
[ADM3485EARZ](#) [SP3485EEN](#) [TP3485ES8](#) [MAX3485ESA](#) [ST3485EBDR](#) [ADM485ARZ](#) [CA-IF4820HD](#) [CA-IF1042S-Q1](#) [CA-IF1021D-Q1](#)  
[CS48520D](#) [SN65HVD78EIMM/TR](#) [HGX3085ECMM/TR](#) [SP3085EIMM/TR](#) [HGX3085EIMM/TR](#) [SN65HVD72EIMM/TR](#) [HGX485EIN](#)  
[RS1905XK](#) [SIT1044QTK](#) [THVD1420DR](#) [MAX3490EESA+T](#) [UM3483EESA](#) [HD588L](#) [HD568N](#) [HD688ADR](#) [CA-IS3080WX](#) [CA-](#)  
[IS3086WX](#) [CS817x20HS](#) [CA-IF1044S-Q1](#) [CA-IF4820FS](#) [CA-IF4850HS](#) [GM3490E](#)