

STUD TYPE AVALANCE DIDOE

Features

- Hermetic metal case with ceramic insulator
- High surge current capabilities
- Stud cathode and stud anode version

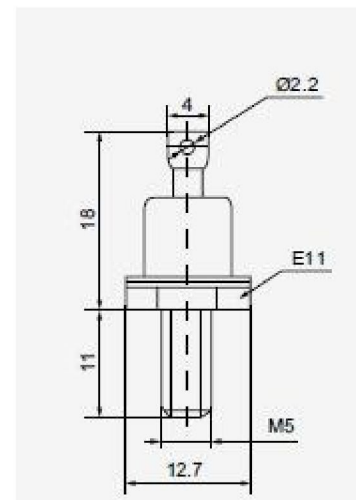
25A

Typical Applications

- Converters
- Power supplies
- Machine tool controls

Major Ratings and Characteristics

Parameters	ZB25A(R)	Units	
$I_{F(AV)}$	25	A	
@ T_{hs}	100	°C	
$I_{F(RMS)}$	40	A	
I_{FSM}	@ 50Hz	370	A
	@ 60Hz	400	A
$I^2 t$	@ 50Hz	700	A ² s
	@ 60Hz	660	A ² s
V_{RRM}	400-1600	V	
T_J	- 40 to 180	°C	



A AR

ELECTRICAL SPECIFICATIONS

Voltage Ratings

ZB25A(R)	Voltage Code	V_{RRM} , maximum repetitive peak reverse voltage V	V_{RSM} , maximum non-repetitive peak rev. voltage V	I_{RRM} max. @ $T_J = T_{Jmax}$. mA
	04	400	500	5
08	800	900		
12	1200	1300		
16	1600	1700		

Forward Conduction

Parameter	ZB25A(R)	Units	Conditions
$I_{F(AV)}$ Max. average forward current @ Heatsink temperature	25	A	180° conduction, half sine wave
	100	°C	
$I_{F(RMS)}$ Max.RMS forward current	40	A	
I_{FSM} Max. peak, one-cycle forward, non-repetitive surge current	370	A	t = 10ms $T_{VJ}=45^{\circ}C$
	400		t = 8.3ms $V_{Rm}=0$
	300		t = 10ms $T_{VJ}=T_{VJM}$
	300		t = 8.3ms $V_{Rm}=100\%$
$I^2 t$ Maximum $I^2 t$ for fusing	700	$A^2 s$	t = 10ms $T_{VJ}=25^{\circ}C$
	660		t = 8.3ms $V_{Rm}=0$
	640		t = 10ms $T_{VJ}=T_{VJMax}$
	620		t = 8.3ms $V_{Rm}=100\%$
V_{FM} Max forward voltage drop	1.30	V	$I_{FM}=79A, T_J = 25^{\circ}C, t_p=400 \mu s$
$V_{F(TO)}$ Threshold voltage	0.85	V	For power-loss calculations only
r_T Forward slope resistance	8	mΩ	$T_{VJ}=T_{VJM}$

Thermal and Mechanical Specification

Parameter	ZB25A(R)	Units	Conditions
T_J Max.junction operating temperature range	-40 to 180	°C	
T_{stg} Max. storage temperature range	-40 to 200		
R_{thJC} Max,thermal resistance,junction to case	1.50	K/W	DC operation
R_{thCS} Max. thermal resistance,Case to heatsink	0.60		DC operation single side cooled
wt Approximate weight	6	g	
M Mounting torque ± 10%	2.5	Nm	

X-ON Electronics

Largest Supplier of Electrical and Electronic Components

Click to view similar products for [Rectifiers](#) category:

Click to view products by [HUAJING](#) manufacturer:

Other Similar products are found below :

[70HFR40](#) [RL252-TP](#) [1N5397](#) [NTE5841](#) [NTE6038](#) [SCF5000](#) [1N4002G](#) [1N4005-TR](#) [JANS1N6640US](#) [481235F](#) [RRE02VS6SGTR](#) [067907F](#)
[MS306](#) [70HF40](#) [US2JFL-TP](#) [A1N5404G-G](#) [CRS04\(T5L,TEMQ\)](#) [ACGRA4007-HF](#) [ACGRB207-HF](#) [CLH03\(TE16L,Q\)](#) [ACGRC307-HF](#)
[ACEFC304-HF](#) [NTE6356](#) [NTE6359](#) [NTE6002](#) [NTE6023](#) [NTE6039](#) [NTE6077](#) [85HFR60](#) [40HFR60](#) [1N1186RA](#) [70HF120](#) [85HFR80](#)
[D126A45C](#) [SCF7500](#) [D251N08B](#) [SCHJ22.5K](#) [SM100](#) [SCPA2](#) [SDHD5K](#) [VS-12FL100S10](#) [ACGRA4001-HF](#) [D1821SH45T PR](#) [D1251S45T](#)
[NTE5990](#) [NTE6358](#) [NTE6162](#) [NTE5850](#) [SKN20/08](#) [SKN300/16](#)