

HUAJING

ZP70A(R).. SERIES

STUD TYPE DIDOE

Features

- Hermetic metal case with glass insulator
- High surge current capabilities
- Stud cathode and stud anode version

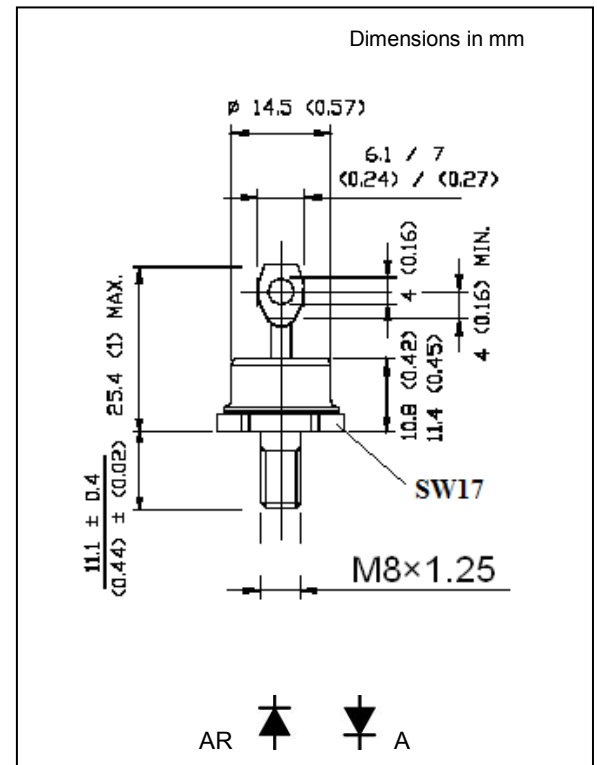
95A

Typical Applications

- Converters
- Power supplies
- Machine tool controls

Major Ratings and Characteristics

Parameters	ZP70A(R)	Units
$I_{F(AV)}$	95	A
@ T_{hs}	125	°C
$I_{F(RMS)}$	150	A
I_{FSM}		A
@ 50Hz	1000	A
@ 60Hz	1150	A
$I^2 t$		KA ² s
@ 50Hz	5	KA ² s
@ 60Hz	5.5	KA ² s
V_{RRM}	400-1600	V
T_J	- 40 to 180	°C



ELECTRICAL SPECIFICATIONS

Voltage Ratings

ZP70A(R)	Voltage Code	V_{RRM} , maximum repetitive peak reverse voltage V	V_{RSM} , maximum non-repetitive peak rev. voltage V	I_{RRM} max. @ $T_J = T_{Jmax}$. mA
	04	400	500	9
08	800	900		
12	1200	1300		
16	1600	1700		

Forward Conduction

Parameter	ZP70A(R)	Units	Conditions
$I_{F(AV)}$ Max. average forward current @ Heatsink temperature	95	A	180° conduction, half sine wave
	125	°C	
$I_{F(RMS)}$ Max.RMS forward current	150	A	
I_{FSM} , Max. peak, one-cycle non-repetitive surge current	1000	A	t = 10ms $T_{VJ}=25^{\circ}C$
	1150		t = 8.3ms $V_{RRM}=0$
	890		t = 10ms $T_{VJ}=T_{VJM}$
	900		t = 8.3ms $V_{RRM}=100\%$
$I^2 t$ Maximum $I^2 t$ for fusing	5	$kA^2 s$	t = 10ms $T_{VJ}=25^{\circ}C$
	5.5		t = 8.3ms $V_{RRM}=0$
	3.9		t = 10ms $T_{VJ}=T_{VJMAX}$
	3.3		t = 8.3ms $V_{RRM}=100\%$
V_{FM} Max forward voltage drop	1.20	V	$I_{FM}= 300A, T_J = 25^{\circ}C, t_p=400 \mu s$
$V_{F(TO)}$ Threshold voltage	0.80	V	For power-loss calculations only
r_T Forward slope resistance	3	$m \Omega$	$T_{VJ}=T_{VJM}$

Thermal and Mechanical Specification

Parameter	ZP70A(R)	Units	Conditions
T_J Max.junction operating temperature range	-40 to 180	°C	
T_{stg} Max. storage temperature range	-40 to 200		
R_{thJC} Max,thermal resistance,junction to case	0.65	K/W	DC operation
R_{thCS} Max. thermal resistance,Case to heatsink	0.11		
wt Approximate weight	18	g	
M Mounting torque $\pm 10\%$	3.5	Nm	

X-ON Electronics

Largest Supplier of Electrical and Electronic Components

Click to view similar products for [Rectifiers](#) category:

Click to view products by [HUAJING](#) manufacturer:

Other Similar products are found below :

[D91A](#) [DA24F4100L](#) [DD89N1600K-A](#) [DD89N16K-K](#) [RL252-TP](#) [DLA11C-TR-E](#) [DSA17G](#) [DSEI2X30-06C](#) [1N4005-TR](#) [BAV199-TP](#)
[UFS120Je3/TR13](#) [JANS1N6640US](#) [VS-80-1293](#) [DD89N16K](#) [DD89N16K-A](#) [481235F](#) [DSP10G-TR-E](#) [067907F](#) [MS306](#) [ND104N08K](#)
[SPA2003-B-D-A01](#) [VS-80-6193](#) [VS-66-9903](#) [VGF0136AB](#) [US2JFL-TP](#) [UFS105Je3/TR13](#) [A1N5404G-G](#) [ACGRA4007-HF](#) [ACGRB207-HF](#)
[RF301B2STL](#) [RF501B2STL](#) [UES1306](#) [UES1302](#) [BAV199E6433HTMA1](#) [ACGRC307-HF](#) [ACEFC304-HF](#) [JANTXV1N5660A](#) [UES1106](#)
[GS2K-LTP](#) [D126A45C](#) [D251N08B](#) [SCHJ22.5K](#) [SM100](#) [SCPA2](#) [SCH10000](#) [SDHD5K](#) [STTH20P035FP](#) [VS-8EWS12S-M3](#) [VS-](#)
[12FL100S10](#) [ACGRA4001-HF](#)