

规格书
Specification

品名
Model name

HNB09A03
C96102
ROHS

PROPRIETARY
Huaneng Electronic co.,Ltd.

CONFIDENTIAL
Huaneng Electronic co.,Ltd.

| | |
|----------------|--|
| Version # | Spec V1.0 |
| 制作日期 Date | 2017/05/16 |
| 准备 Prepared | Yang shu yin Acoustic specialist,R&D Dept. |
| 审核 Approved | Zhang chang hua Executive Manager,R&D Dept. |



江苏华能电子有限公司

Components Operating Div.
HuanengElectronic co.,Ltd.

This specifications apply the HNB09A03 ROHS buzzer.

2.基本规格/General specification

| 项目/Item | | 规格/Spec | 条件/Condition |
|---------|---|--------------------------|---|
| 1 | 额定电压 Rated voltage | 3VDC | |
| 2 | 工作电压 Operation voltage | 1.5~4VDC | |
| 3 | 声压 Sound Pressure Level=SPL | Min 85dB Typical 90dB | 测试环境: 标准状态, 标准驱动电路, 额定电压 测试距离: 0.1m Standard State,Standard Drive Circuit. Rated voltage,Distance at 0.1m |
| 4 | 平均消费电流 Average consumption current | Max 30mA | |
| 5 | 振荡频率 Oscillation frequency | 3000±300Hz | |
| 6 | 响应时间 Response time | Max 50mS | 最低工作电压 Lowest operation voltage |
| 7 | 工作温度范围 Range of operation temperature | -20~+70°C | 声压 ≥80dB SPL ≥80dB |
| 8 | 保存温度范围 Range of preservation temperature | -30~+85°C | |
| 9 | 端子强度 Terminal strength | 10N | 拉负荷方向的终端轴 Pull load on the direction of the terminal axis |
| 10 | 外部尺寸 Externals size | Φ9×5.5 | 参阅附图 Refer to the attached drawing |
| 11 | 重量 Mass | 0.7g | |

☆标准状态: 常温 (15~35°C), 湿度 (25~85%相对湿度), 空气压力 (860~1060hpa)
在假设的情况判断, 测试是一基本状态下进行。

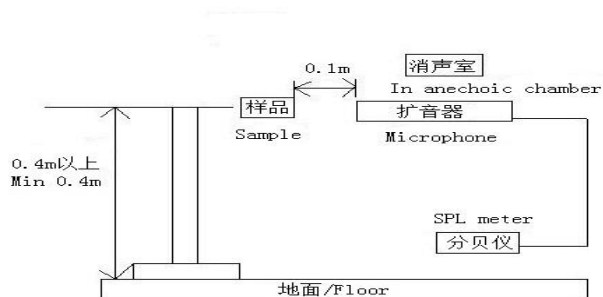
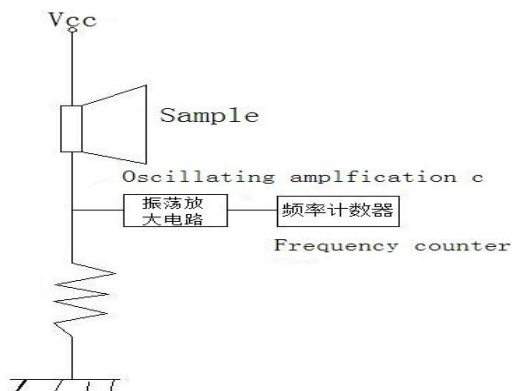
Standard State: Ordinary Temp(15~35°C), Humidity(25~85%RH), Air pressure(860~1060hPa)
In case of doubtful judgment, the test is re-performed under Basic State.

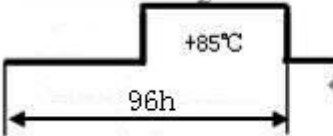
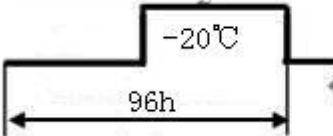
☆基本情况: 温度。(20±2°C), 湿度 (60~70%相对湿度), 空气压力 (860~1060hpa)

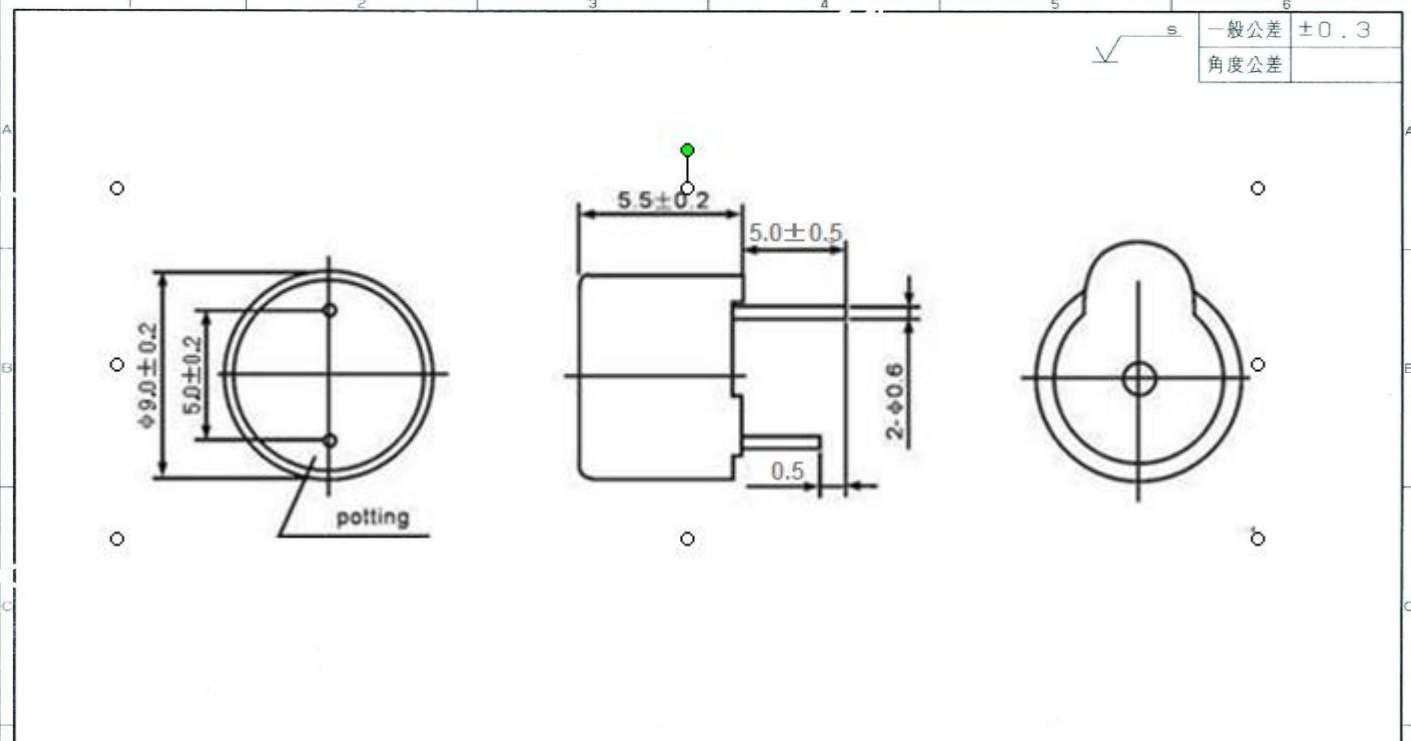
Basic State: Temp.(20±2°C), Humidity(60~70%RH), Air pressure(860~1060hPa)

<标准驱动电路>/<Standard Drive Circuit>

<标准测试治具>/<Standard Test Fixture>

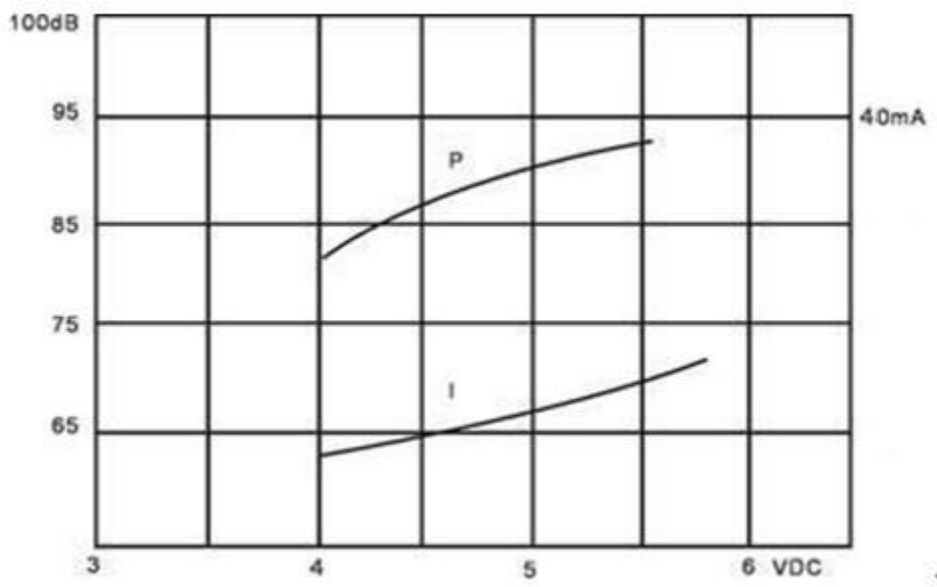


| 项目/Item | | 试验条件/Test condition | 判断标准/Criteria | 引用规格 |
|---------|---|---|--|------|
| 1 | 高温保存试验 High temperature Preservation | +85°C环境下放置24小时 Exposure to +85°C for 24 hrs. | 经过测试,符合规格,没有任何不合格的外观和性能 After the test the part shall meet specifications without any degradation. | |
| 2 | 低温保存试验 Low temperature preservation | -20°C环境下放置24小时 Exposure to -20°C for 24 hrs. | | |
| 3 | 高温试验 High temperature Shock |  | | |
| 4 | 低温试验 Low temperature Shock |  | | |
| 5 | 常温寿命试验 Ordinary Temp. Life | 常温 (25°C±10°C) 电压3VDC连续测试48小时 Driving the sounder at 3VDC for 48hrs in the room temperature (25°C±10°C) | | |
| 6 | 高温寿命试验 High Temp. Life | 高温 (+85°C) 电压3VDC连续测试2小时 Driving the sounder at 3VDC for 2hrs in the low temperature (+85°C) | | |
| 7 | 低温寿命试验 Low Temp. Life | 低温 (-20°C) 电压3VDC连续测试2小时 Driving the sounder at 3VDC for 2hrs in the low temperature (-20°C) | | |
| 8 | 端子拉力试验 Lead strength | 10N的拉力在端子上拉10±1秒 Pull load on the direction of the terminal axis for 10±1 sec. | | |
| 9 | 跌落试验 Free drop | 70cm高自由掉落到厚40mm的木板上, 每个方向一次 Free drop, 70cm height, on wood board (t40mm) X, Y, Z 3Direction 1time each, total 3times. | 排除弯曲的针 Exclude bending of Pin | |
| 10 | 端子可焊性试验 Solderability | 260±5°C焊接温度。时间: 5±0.5sec。 Temp. 260±5°C Soaking Time: 5±0.5sec | 端子95%必须覆盖着焊料 95% surface of lead pins must be covered with fresh solder and no soldering holes Should be found | |



| | | | | | | | | | |
|------------|--------------------|-------------------------|--|-----|--------------------|-------------|----------------|-----------------|---------------|
| | | | 审批 APPROVED | 张长华 | 材料 MATERIAL | PP0料 | 制造日期 DATE | 出图日期 | |
| | | | 检查 CHECKED | 杨树银 | 加工 TREATMENT | | 品名 NAME | APPEARANCE DRWG | |
| | | | 设计 DESIGNED | | 表面处理 SURF. FIN. | | | 产品名称 | HNB09A03 ROHS |
| | | | 制图 DRAWN | | 第三角法 | 尺度 SCALE | 品号 CODE NO. | | |
| 日期 DATE | 变更号码 CHANGE NO. | 变更内容 CHANGE CONTENTS | 江苏华能电子有限公司 HUANENG Electronic Co.,Ltd | | | | | | |

产品特征图



X-ON Electronics

Largest Supplier of Electrical and Electronic Components

Click to view similar products for [Piezo Buzzers & Audio Indicators](#) category:

Click to view products by [Huaneng](#) manufacturer:

Other Similar products are found below :

[6-4](#) [68S1240-PA](#) [ESZ-26B](#) [FDG06PSLLF](#) [F/DGX12P WITH LABEL LF](#) [F/EM12PLF](#) [PF-35N29WQ](#) [PFD-21A29W](#) [PFD-27A35PQ](#) [PL-21N30WQ](#) [PL-27A35PSQ](#) [PLD-21N30W](#) [PLD-21N30WQ](#) [PS-531Q](#) [PT-3534FP](#) [B822B](#) [B/CP28/100DB/BLACK LF](#) [S6109](#) [SC110E](#) [SC2036ACP](#) [SC616N-2](#) [SC628FW](#) [SC628MPG](#) [SC648D](#) [SCS045MD9DT3S](#) [ESZ-25B-5-250B](#) [ESZ-25S](#) [F/BC 35-DR LF](#) [FCM12PLF](#) [SSX-52SA](#) [F/EB20P-DR LF](#) [AI-4228-TF-LW305-R](#) [F/SU 21-02 LF](#) [F/TCW 05 WITH LABEL LF](#) [PFD-27N36W](#) [PKM35-4A0](#) [PL-35N29WQ](#) [PLD-27A35PQ](#) [PS-552Q](#) [CM-5](#) [REF-202](#) [B/SE 128 RED LF](#) [KBS-20DA-7AS](#) [KBS-27DA-5C-105](#) [LSC628ANR](#) [03-810.001](#) [RTO-1R07-001](#) [PL-21N31PQ](#) [F-B-P1405ISB LF](#) [F/DGX 05P WITH LABEL LF](#)