



产品规格书

PRODUCT SPECIFICATION

客户名称 CUSTOMER: _____

产品型号 MODEL: MLT-7525

客户型号 USER'S MODEL: _____

日期 DATE: 2021-3-18

江苏华能电子有限公司			客户回签		
HUAWHA			CUSTOMER		
SERVE RATITY			CUSTOMER RATIGY		
拟制 REPORT	审核 CHECKED	批准 APPROVED	检验 TEST	审核 CHECKED	批准 APPROVED
王文娟	工稿章用章	张长华			

江苏华能电子有限公司

JIANGSU HUAWHA ELECTRONICS CO.,LTD

地址: 江苏省泰州市兴化市陈堡镇工业园区

ADD:Chenbao Industrial Park, Chenbao Town, Xinghua,Taizhou City, Jiangsu China.

电话 [TEL:0523-83710666](tel:0523-83710666)

传真 [FAX:0523-83724866](tel:0523-83724866)

网址: www.huawha.com

邮箱: hndz_wwj@huawha.com

1.基本规格/General specification

项目/Item		规格/Spec	条件/Condition
1	额定电压 Rated voltage	3.6Vo-p	
2	工作电压 Operation voltage	2.5~4.5Vo-p	
3	声压 Sound Pressure Level=SPL	Min 80dB	测试环境：标准状态，标准驱动电路， 额定电压 测试距离：0.1m
4	电流 current	Max95mA	
5	电阻 Coil Resistance	16 ± 3 Ω	
6	振荡频率 Oscillation frequency	2700Hz	
7	工作温度范围 Operating Temperature	-20~+70℃	声压 ≥80dB SPL ≥80dB
8	保存温度范围 Storage temperature	-30~+85℃	
9	使用温度范围 use temperature	-30~+85℃	
10	外部尺寸 Externals size (mm)	7.5*7.5*2.5	参阅附图 Refer to the attached drawing
11	重量 Mass	1g	
12	材质 Housing Material	LCP	

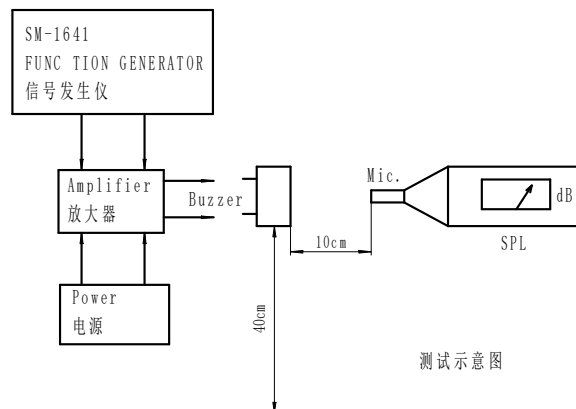
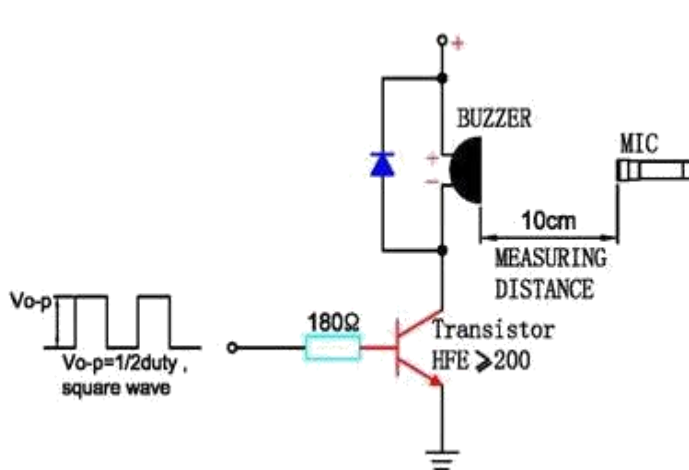
2.电气和声学测试条件/Electrical And Acoustical Measuring Condition

驱动电路/Recommended Driving Circuit

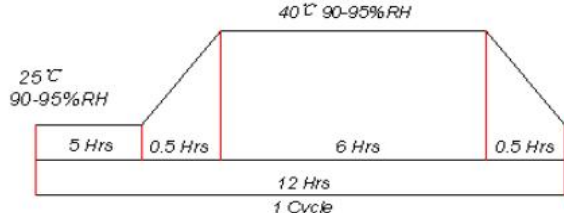
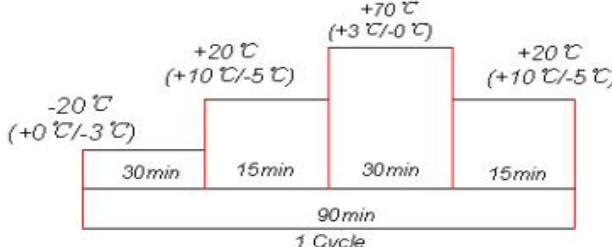
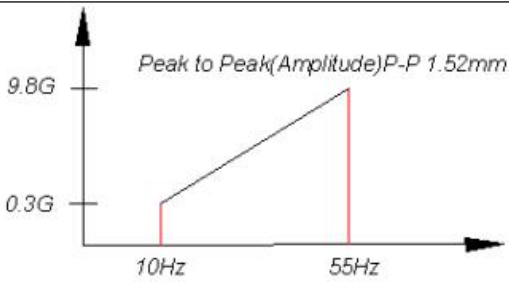
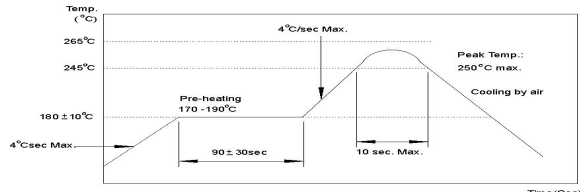
设置 Recommended Setting

Resonant frequency, 1/2 duty cycle. Square wave.

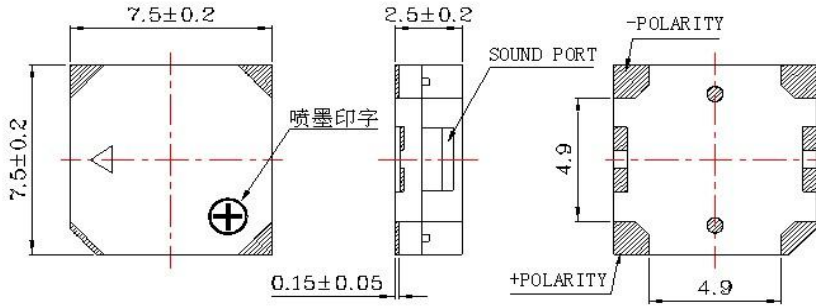
Signal amplitude should be large enough to saturate the transistor.



3.可靠性测试/Reliability Test

	项目 ITEM	测试方法 TEST
1	高温试验 High Temperature Test	在+80℃±2℃储存温度下存放 96 小时，恢复 2 小时后测试 After being placed in a chamber with +80±2℃ for 96 hours and then being placed in normal condition for 2 hours
2	低温试验 Low Temperature Test	在-20℃±2℃储存温度下存放 96 小时，恢复 2 小时后测试 After being placed in a chamber with -20±2℃ for 96 hours and then being placed in normal condition for 2 hours
3	恒定湿热试验 Humidity Test	
4	温度变化试验 Temperature Cycle Test	
5	振动试验 Vibration Test	
6	跌落试验 Drop Test	70cm 高自由掉落到 40mm 的木板上，每个方向三次 Drop on a hard wood board of 40mm thick, any directions, three times, at the height of 70cm
7	插针的抗拉强度试验 Terminal Strength Pulling Test	插针承受 1.0kg 拉力，负荷时间 5s The force 5 seconds of 1.0kg is applied to each terminal.
8	可焊性试验 Solder ability Test	焊锡温度 255±5℃，浸润时间为 3±0.5s，试验后目测产品情况 Lead terminals are immersed in rosin for 5 seconds and then immersed in solder bath of 255±5℃ for 3±0.5 seconds.
9	回流焊测试 Soldering Test	

4.尺寸图 Dimension



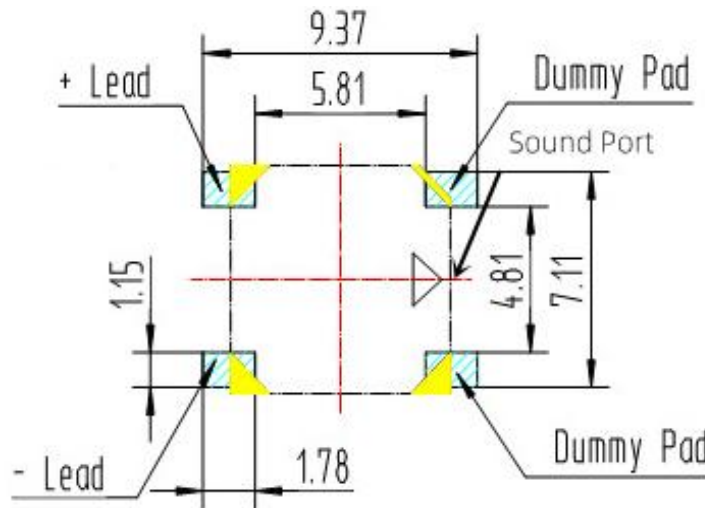
Tol : ± 0.3 Unit: mm



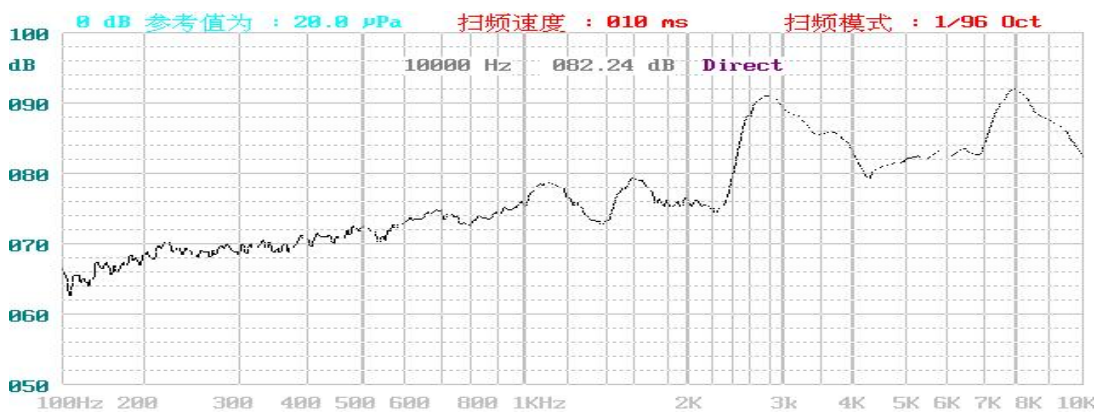
*Unit: mm; Tolerance: ± 0.3 mm Except Specified

*Housing Material: Black LCP

5.1 Soldering pattern

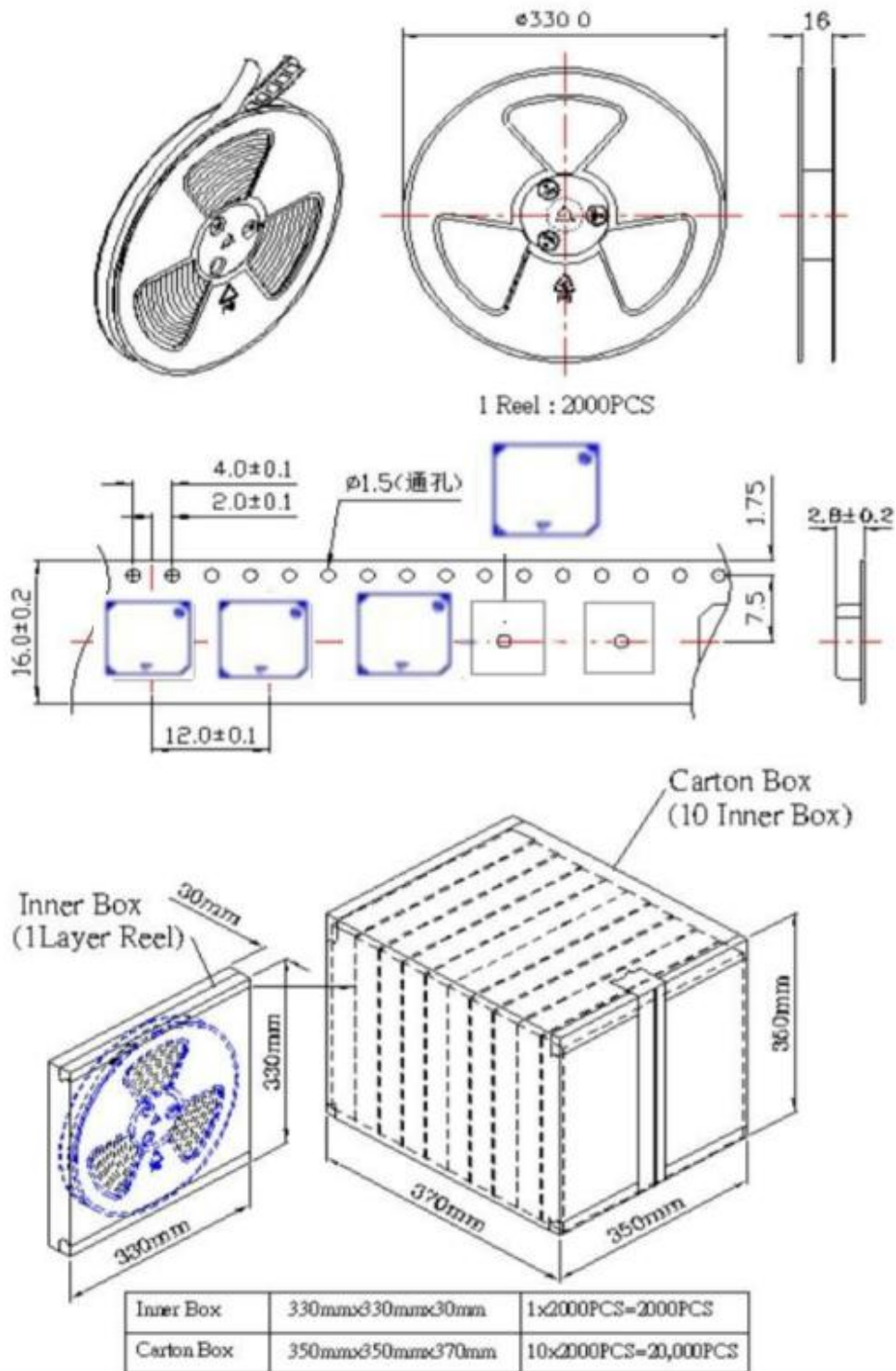


5.2 频率响应/Frequency Response



3.6Vo-p 50% duty Square wave, 10cm

6.包装方式/Packing



X-ON Electronics

Largest Supplier of Electrical and Electronic Components

Click to view similar products for [Piezo Buzzers & Audio Indicators](#) category:

Click to view products by [Huaneng](#) manufacturer:

Other Similar products are found below :

[6-4](#) [68S1240-PA](#) [ESZ-26B](#) [FDG06PSLLF](#) [F/DGX12P WITH LABEL LF](#) [F/NRMB 24 BLACK LF](#) [PF-35N29WQ](#) [PFD-21A29W](#) [PFD-27A35PQ](#) [PL-21N30WQ](#) [PL-27A35PSQ](#) [PLD-21N30W](#) [PLD-21N30WQ](#) [PS-531Q](#) [PT-3534FP](#) [B822B](#) [B/CP28/100DB/BLACK LF](#) [S6109](#) [SC110E](#) [SC2036ACP](#) [SC616N-2](#) [SC628FW](#) [SC628MPG](#) [SC648D](#) [SCS045MD9DT3S](#) [ESZ-25B-5-250B](#) [ESZ-25S](#) [F/BC 35-DR LF](#) [FCM12PLF](#) [SSX-52SA](#) [F/EB20P-DR LF](#) [AI-4228-TF-LW305-R](#) [F/TCW 05 WITH LABEL LF](#) [PFD-27N36W](#) [PKM35-4A0](#) [PL-35N29WQ](#) [PLD-27A35PQ](#) [PS-552Q](#) [CM-5](#) [REF-202](#) [B/SE 128 RED LF](#) [KBS-20DA-7AS](#) [KBS-27DA-5C-105](#) [LSC628ANR](#) [03-810.001](#) [RTO-1R07-001](#) [PL-21N31PQ](#) [F-B-P1405ISB LF](#) [F/DGX 05P WITH LABEL LF](#) [MSR516NP](#)