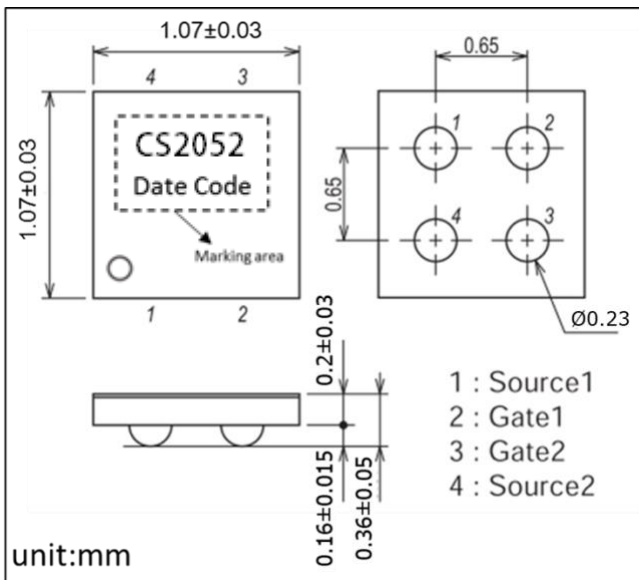
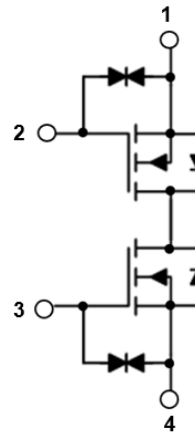
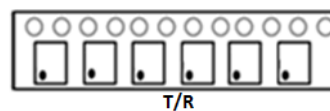



Features

- ★ 2.5V Drive
- ★ Common-drain type
- ★ ESD Protection

Product Summary

V _{SS}	R _{SS(ON)} Max	I _S Max
24V	45.0mΩ @ 4.5V	6A
	48.0mΩ @ 4.0V	
	57.0mΩ @ 3.1V	
	70.0mΩ @ 2.5V	

WLCSP Package Dimensions

Electrical Connection

Taping Type: T/R


- Package : CSP
- JEITA, JEDEC :---
- Minimum Packing Quantity:5000pcs. / reel

Absolute Maximum Ratings (T_A=25°C)

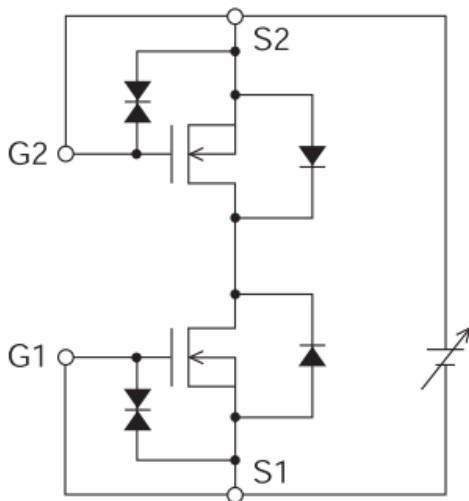
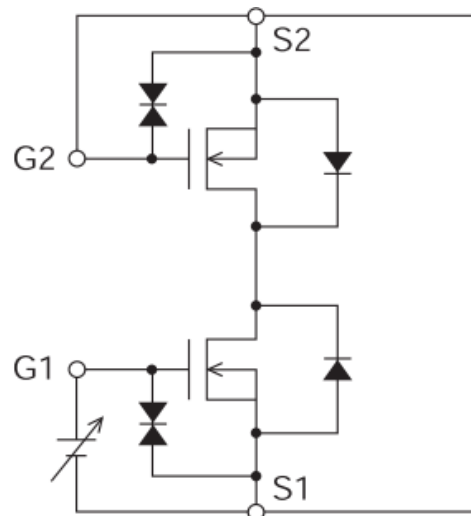
Symbol	Parameter	Rating	Units
V _{SS}	Source to Source Voltage	24	V
V _{GSS}	Gate to Source Voltage	±12	V
I _S	Continuous Source Current ₁	6	A
I _{SP}	Pulsed Source Current ₂	60	A
P _T	Total Power Dissipation ₁	1.6	W
T _{STG}	Storage Temperature Range	-55 to 150	°C
T _J	Operating Junction Temperature Range	-55 to 150	°C

Electrical Characteristics at T_A=25°C

Symbol	Parameter	Conditions	Min.	Typ.	Max.	Unit
BV _{SSS}	Source-Source Breakdown Voltage	V _{GS} =0V, I _S =250uA	24	---	---	V
R _{SS(ON)}	Static Source-Source On-State Resistance	V _{GS} =4.5V, I _S =1.5A	27	40	45	mΩ
		V _{GS} =4.0V, I _S =1.5A	28	42	48	
		V _{GS} =3.7V, I _S =1.5A	31	44	51	
		V _{GS} =3.1V, I _S =1.5A	36	46	57	
		V _{GS} =2.5V, I _S =1.5A	42	52	70	
V _{GS(th)}	Gate Threshold Voltage	V _{SS} =V _{GS} , I _S =250uA	0.5	0.65	1.2	V
I _{SSS}	Zero Gate Voltage Source Current	V _{SS} =24V, V _{GS} =0V	---	---	1	uA
I _{GSS}	Gate-Source Leakage Current	V _{GS} =±8V, V _{SS} =0V	---	---	±10	uA
G _{fs}	Forward Transconductance	V _{SS} =10V, I _S =3.0A	---	5.5	---	S
Q _g	Total Gate Charge ₃	V _{SS} =15V, V _{GS} =4.5V, I _S =6A	---	12	---	nC
T _{d(on)}	Turn-On Delay Times ₃	V _{DD} =10V, V _{GS} =4.5V, R _G =3.3Ω I _S =3A	---	8	---	ns
T _r	Rise Times ₃		---	12	---	
T _{d(off)}	Turn-Off Delay Times ₃		---	312	---	
T _f	Fall Times ₃		---	36	---	
V _{FSS}	Forward Source-Source Voltage	V _{GS} =0V, I _S =1.5A	---	0.72	1.2	V

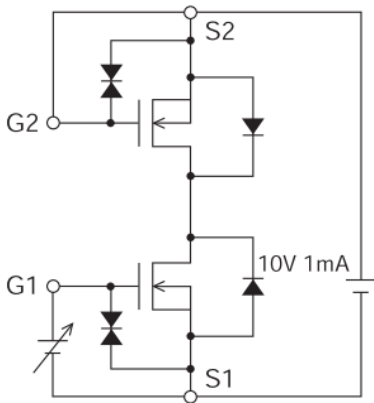
Note :

- 1.The data tested by surface mounted on a 1 inch² FR-4 board with 2OZ copper.
- 2.The data tested by pulsed , pulse width ≤ 10us , duty cycle ≤ 1%
- 3.Guaranteed by design, not subject to production testing.

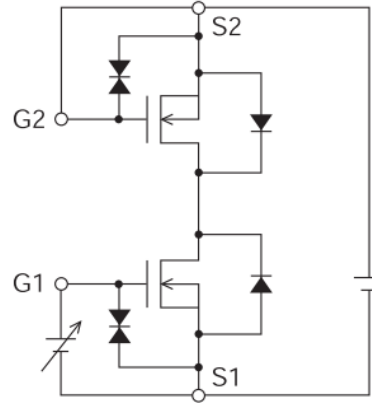
Test circuits are example of measuring FET1 sides
Test Circuit 1 V_{SSS} / I_{SSS}

Test Circuit 2 I_{GSS}(+) / (-)


Dual N-Ch Fast Switching MOSFETs

Test Circuit 3 $V_{GS(off)}$

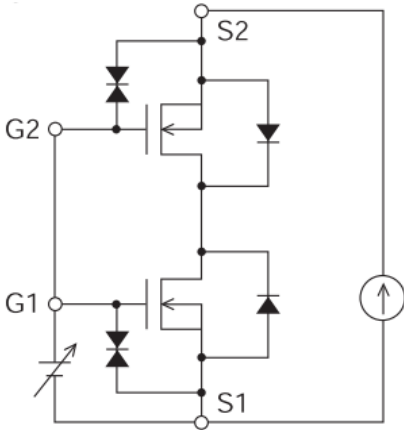


Test Circuit 4 G_{fs}

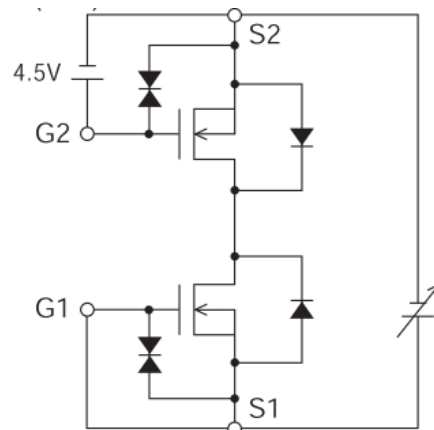


* Note: Connect the measurement terminal reversely if you want to measure the FET2 side.

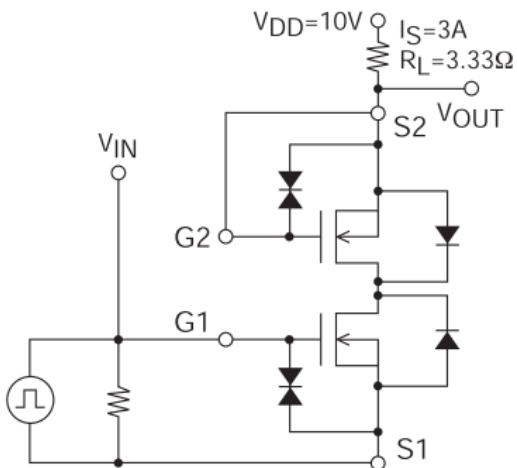
Test Circuit 5 $R_{SS(ON)}$



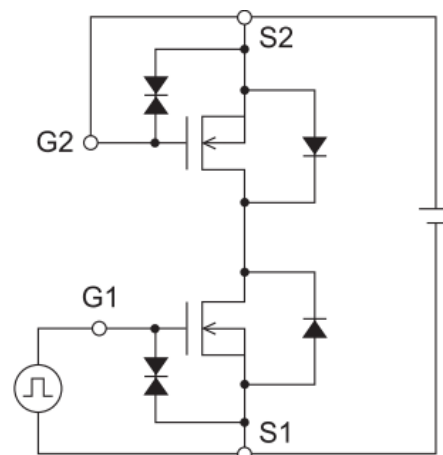
Test Circuit 6 $V_{F(S-S)}$



Test Circuit 7 $T_{d(on)}$, T_r , $T_{d(off)}$, T_f



Test Circuit 8 Q_g



* Note: Connect the measurement terminal reversely if you want to measure the FET2 side.

Dual N-Ch Fast Switching MOSFETs

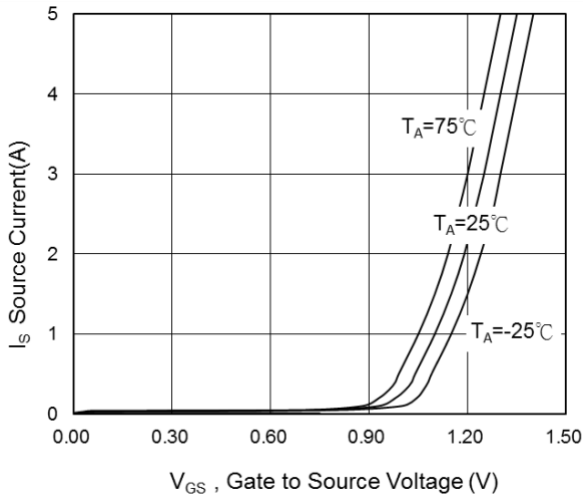


Fig.1 I_S - V_{GS}

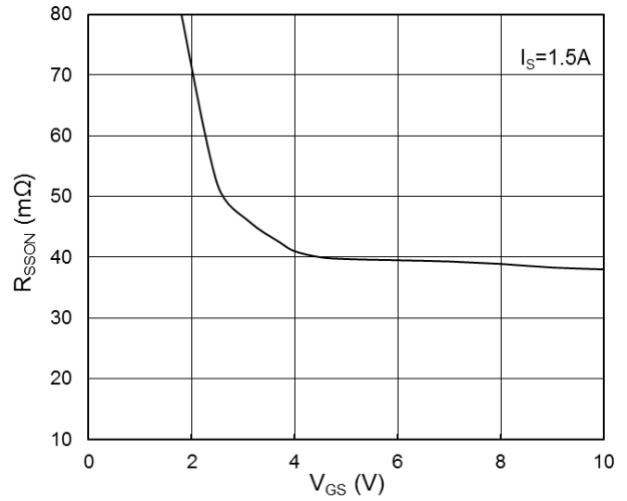


Fig.2 $R_{SS(ON)}$ - V_{GS}

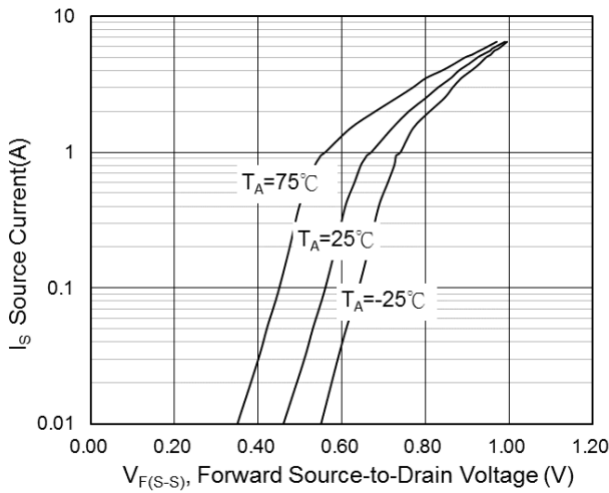


Fig.3 I_S - $V_{F(S-S)}$

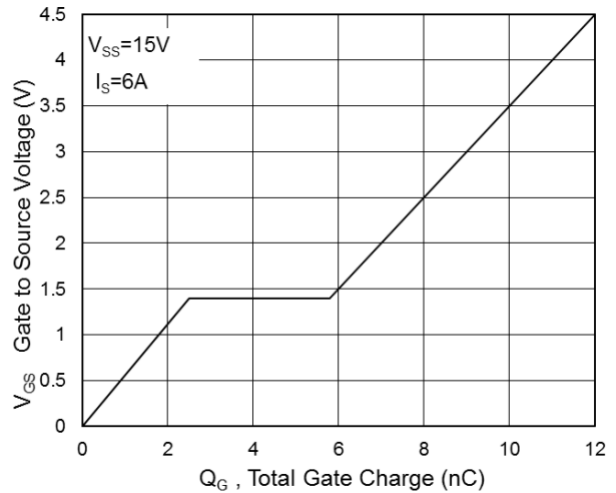


Fig.4 V_{GS} - Q_g

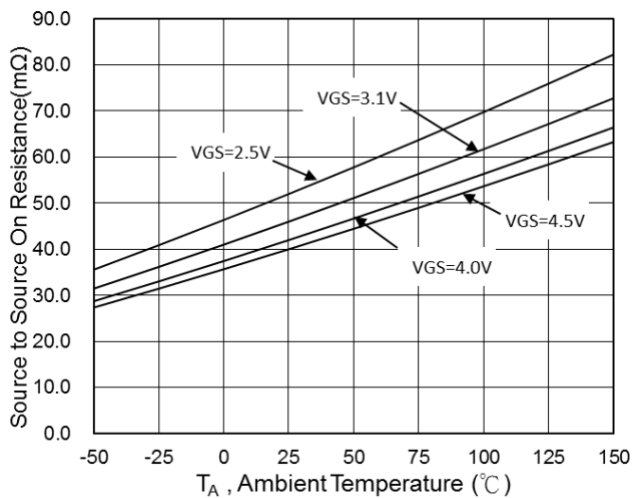


Fig.5 $R_{SS(ON)}$ - T_A

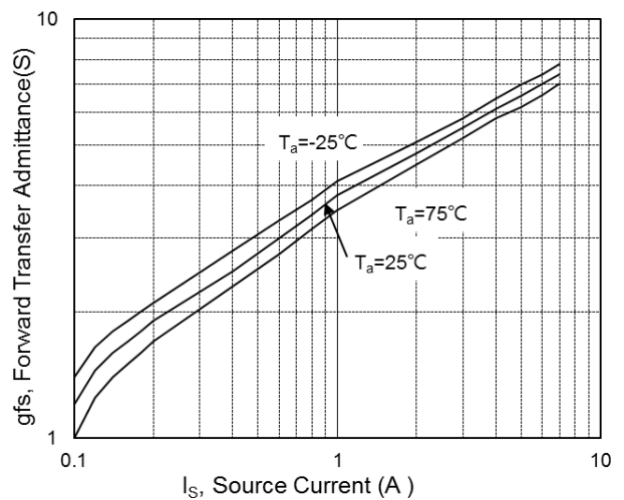


Fig.6 g_{fs} vs I_S

Dual N-Ch Fast Switching MOSFETs

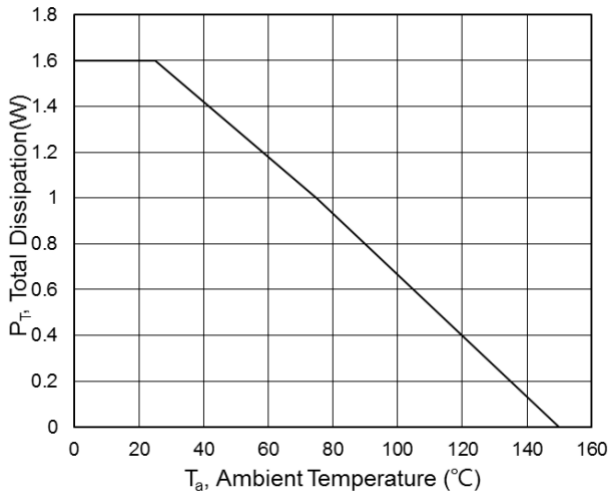


Fig.7 P_T – T_A

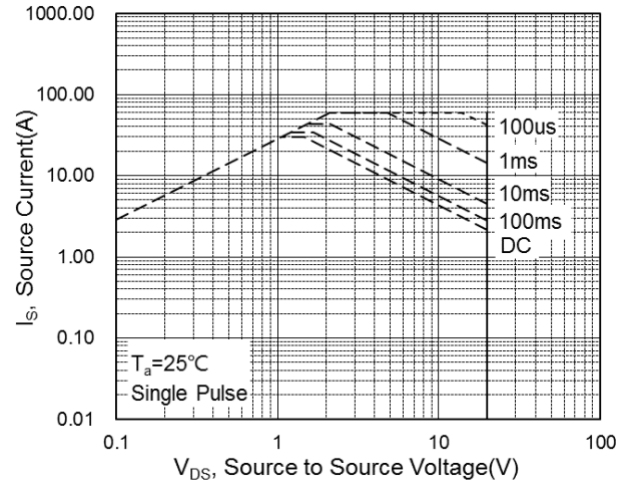


Fig.8 Safe Operating Area

X-ON Electronics

Largest Supplier of Electrical and Electronic Components

Click to view similar products for [MOSFET](#) category:

Click to view products by [HUASHUO](#) manufacturer:

Other Similar products are found below :

[614233C](#) [648584F](#) [MCH3443-TL-E](#) [MCH6422-TL-E](#) [FDPF9N50NZ](#) [FW216A-TL-2W](#) [FW231A-TL-E](#) [APT5010JVR](#) [NTNS3A92PZT5G](#)
[IRF100S201](#) [JANTX2N5237](#) [2SK2464-TL-E](#) [2SK3818-DL-E](#) [FCA20N60_F109](#) [FDZ595PZ](#) [STD6600NT4G](#) [FSS804-TL-E](#) [2SJ277-DL-E](#)
[2SK1691-DL-E](#) [2SK2545\(Q,T\)](#) [D2294UK](#) [405094E](#) [423220D](#) [MCH6646-TL-E](#) [TPCC8103,L1Q\(CM](#) [367-8430-0972-503](#) [VN1206L](#)
[424134F](#) [026935X](#) [051075F](#) [SBVS138LT1G](#) [614234A](#) [715780A](#) [NTNS3166NZT5G](#) [751625C](#) [873612G](#) [IRF7380TRHR](#)
[IPS70R2K0CEAKMA1](#) [RJK60S3DPP-E0#T2](#) [RJK60S5DPK-M0#T0](#) [APT5010JVFR](#) [APT12031JFLL](#) [APT12040JVR](#) [DMN3404LQ-7](#)
[NTE6400](#) [JANTX2N6796U](#) [JANTX2N6784U](#) [JANTXV2N5416U4](#) [SQM110N05-06L-GE3](#) [SIHF35N60E-GE3](#)