

KS 宽温度品

- 7mm 高度, 105°C。7mmL, 105°C
- 适用于汽车电子等线路中
Used in car electronic circuits, etc.
- ROHS 指令已对应完毕。
Adapted to the ROHS directive.

主要技术性能 Specifications

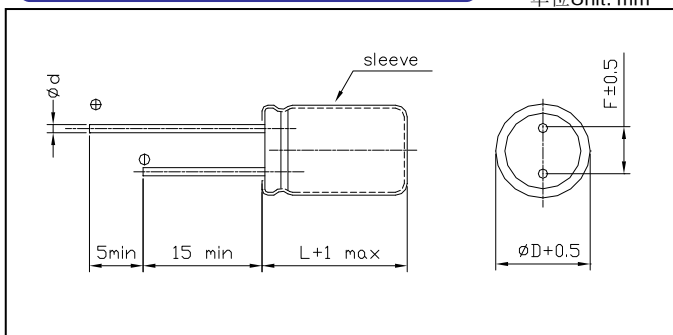
项目 Item	特性 Performance Characteristics																								
使用温度范围 Operating temperature range	-40 ~ +105°C																								
额定电压范围 Rated voltage range	6.3 ~ 63V																								
标称电容量范围 Nominal capacitance range	0.1 ~ 470μF																								
标称电容量允许偏差 Capacitance tolerance	± 20% (120Hz, +20°C)																								
漏电流 Leakage current	$I \leq 0.01CV$ or $3(\mu A)$ 2分钟(at 20°C, after 2 minutes) 取较大者(whichever is greater)																								
损耗角正切值 (tg δ) Dissipation factor (+20°C, 120Hz)	<table border="1"> <thead> <tr> <th>U_R (V)</th> <th>6.3</th> <th>10</th> <th>16</th> <th>25</th> <th>35</th> <th>50</th> <th>63</th> </tr> </thead> <tbody> <tr> <td>tg δ</td> <td>0.22</td> <td>0.20</td> <td>0.16</td> <td>0.14</td> <td>0.12</td> <td>0.10</td> <td>0.10</td> </tr> </tbody> </table>	U_R (V)	6.3	10	16	25	35	50	63	tg δ	0.22	0.20	0.16	0.14	0.12	0.10	0.10								
U_R (V)	6.3	10	16	25	35	50	63																		
tg δ	0.22	0.20	0.16	0.14	0.12	0.10	0.10																		
温度特性 Temperature characteristics (Impedance ratio at 120Hz)	<table border="1"> <thead> <tr> <th>U_R (V)</th> <th>6.3</th> <th>10</th> <th>16</th> <th>25</th> <th>35</th> <th>50</th> <th>63</th> </tr> </thead> <tbody> <tr> <td>Z-25°C / +20°C</td> <td>4</td> <td>3</td> <td>2</td> <td>2</td> <td>2</td> <td>2</td> <td>2</td> </tr> <tr> <td>Z-40°C / +20°C</td> <td>8</td> <td>6</td> <td>4</td> <td>4</td> <td>3</td> <td>3</td> <td>3</td> </tr> </tbody> </table>	U_R (V)	6.3	10	16	25	35	50	63	Z-25°C / +20°C	4	3	2	2	2	2	2	Z-40°C / +20°C	8	6	4	4	3	3	3
U_R (V)	6.3	10	16	25	35	50	63																		
Z-25°C / +20°C	4	3	2	2	2	2	2																		
Z-40°C / +20°C	8	6	4	4	3	3	3																		
耐久性 Load life	<p>+105°C加额定电压 1000 小时, 恢复 16 小时后: After applying rated voltage for 1000 hours at +105°C and then resumed 16 hours:</p> <p>电容量变化率 Capacitance change : ±25%初始测量值以内 ±25% of the initial measured value 漏 电 流 Leakage current : ≤初始规定值 ≤The initial specified value 损耗角正切值 Dissipation factor : ≤2 倍初始规定值 ≤2times of the initial specified value</p>																								
高温贮存 Shelf life	<p>+105°C, 1000 小时贮存后, 恢复 16 小时后: After storage for 1000 hours at +105°C and then resumed 16 hours</p> <p>电容量变化率 Capacitance change : ±25%初始测量值以内 ±25% of the initial measured value 漏 电 流 Leakage current : ≤2 倍初始规定值 ≤2times of the initial specified value 损耗角正切值 Dissipation factor : ≤2 倍初始规定值 ≤2times of the initial specified value</p>																								

频率修正系数 Frequency coefficient

F(Hz) CAP(μF)	60	120	1K	≥10k
0.1~68	0.8	1	1.3	1.5
100~470	0.8	1	1.15	1.2

外形图及尺寸表 Case size table

单位Unit: mm



D	4	5	6.3	8
F	1.5	2.0	2.5	3.5
d	0.45		0.5	

尺寸 DIMENSIONS

CAP(μF) \ WV		6.3V(0J)		10V(1A)		16V(1C)		25V(1E)		35V(1V)		50V(1H)		63V(1J)	
		Size	Ripple	Size	Ripple	Size	Ripple	Size	Ripple	Size	Ripple	Size	Ripple	Size	Ripple
0.1	0R1											4×7	1.5		
0.22	R22											4×7	2.5		
0.33	R33											4×7	3.5		
0.47	R47											4×7	5.0		
1	010					4×7	6	4×7	7	4×7	6	4×7	10	4×7	12
2.2	2R2					4×7	8	4×7	9	4×7	8	4×7	19	4×7	18
3.3	3R3					4×7	10	4×7	11	4×7	10	4×7	24	5×7	25
4.7	4R7					4×7	12	4×7	15	4×7	22	4×7	27	5×7	28
10	100					4×7	24	4×7	28	4×7	29	5×7	40	6.3×7	40
22	220	4×7	31	4×7	33	4×7	37	5×7	45	5×7	50	6.3×7	60	8×7	65
						5×7	42	6.3×7	48	6.3×7	58	8×7	65		
33	330	4×7	37	4×7	41	5×7	48	5×7	52	6.3×7	59	8×7	78		
47	470	4×7	44	4×7	51	5×7	57	6.3×7	60	8×7	80	8×7	80		
100	101	5×7	68	5×7	75	6.3×7	89	8×7	115						
220	221	6.3×7	101	6.3×7	105	8×7	135								
				8×7	145										
330	331	8×7	120	6.3×7	110										
470	471	8×7	125												

Size $\phi D \times L$ (mm)

Maximum Allowable Ripple Current (mA rms) at 105°C 120Hz

X-ON Electronics

Largest Supplier of Electrical and Electronic Components

Click to view similar products for [Aluminium Electrolytic Capacitors - Radial Leaded](#) category:

Click to view products by [Huawei](#) manufacturer:

Other Similar products are found below :

[LXY50VB4.7M-5X11](#) [RFO-100V471MJ7P#](#) [ECE-A1EGE220](#) [B41041A2687M8](#) [B41041A7226M8](#) [B41044A7157M6](#)
[EKXG201EC3101ML20S](#) [EKZM160ETD471MHB5D](#) [NCD681K10KVY5PF](#) [NEV1000M25EF-BULK](#) [NEV100M35DC](#) [NEV100M63DE](#)
[NEV220M25DD-BULK](#) [NEV.33M100AA](#) [NEV4700M50HB](#) [NEV.47M100AA](#) [NEVH1.0M250AB](#) [NEVH3.3M250BB](#) [NEVH3.3M450CC](#)
[KM4700/16](#) [KME50VB100M-8X11.5](#) [SG220M1CSA-0407](#) [ES5107M016AE1DA](#) [ESMG160ETD102MJ16S](#) [ESX472M16B](#)
[SZ010M1500A5S-1015](#) [227RZS050M](#) [476CKH100MSA](#) [477RZS050M](#) [UVX1V101KPA1FA](#) [UVX1V222MHA1CA](#) [KME25VB100M-](#)
[6.3X11](#) [VTL100S10](#) [VTL470S10](#) [VTL470S16A](#) [511D336M250EK5D](#) [052687X](#) [ECE-A1CF471](#) [EKMA500ELL4R7ME07D](#) [NRE-](#)
[S560M16V6.3X7TBSTF](#) [RGA221M1CTA-0611G](#) [ERZA630VHN182UP54N](#) [UPL1A331MPH](#) [SK035M0100AZS-0611](#) [MAL214658821E3](#)
[NEV1000M6.3DE](#) [NEV100M16CB](#) [NEV100M50DD-BULK](#) [NEV2200M16FF](#) [NEV220M50EE](#)