

KS 宽温度品

- 7mm 高度, 105°C。7mmL, 105°C
- 适用于汽车电子等线路中
Used in car electronic circuits, etc.
- ROHS 指令已对应完毕。
Adapted to the ROHS directive.

主要技术性能 Specifications

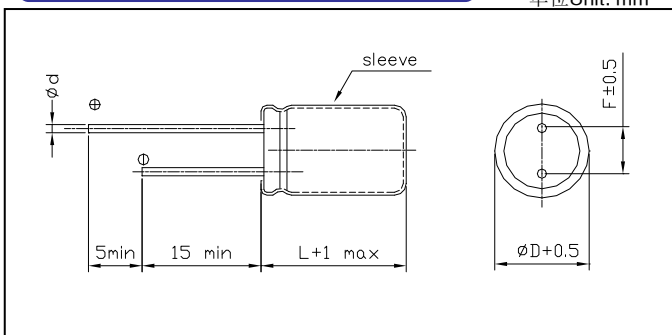
| 项目 Item | 特性 Performance Characteristics | | | | | | | | | | | | | | | | | | | | | | | | |
|--|---|-----------|------|------|------|------|------|----|----|----------------|------|------|------|------|------|------|------|----------------|---|---|---|---|---|---|---|
| 使用温度范围 Operating temperature range | -40 ~ +105°C | | | | | | | | | | | | | | | | | | | | | | | | |
| 额定电压范围 Rated voltage range | 6.3 ~ 63V | | | | | | | | | | | | | | | | | | | | | | | | |
| 标称容量范围 Nominal capacitance range | 0.1 ~ 470μF | | | | | | | | | | | | | | | | | | | | | | | | |
| 标称容量允许偏差 Capacitance tolerance | ± 20% (120Hz, +20°C) | | | | | | | | | | | | | | | | | | | | | | | | |
| 漏电流 Leakage current | $I \leq 0.01CV$ or $3(\mu A)$ 2分钟(at 20°C, after 2 minutes) 取较大者(whichever is greater) | | | | | | | | | | | | | | | | | | | | | | | | |
| 损耗角正切值 (tg δ) Dissipation factor (+20°C, 120Hz) | <table border="1"> <thead> <tr> <th>U_R (V)</th> <th>6.3</th> <th>10</th> <th>16</th> <th>25</th> <th>35</th> <th>50</th> <th>63</th> </tr> </thead> <tbody> <tr> <td>tg δ</td> <td>0.22</td> <td>0.20</td> <td>0.16</td> <td>0.14</td> <td>0.12</td> <td>0.10</td> <td>0.10</td> </tr> </tbody> </table> | U_R (V) | 6.3 | 10 | 16 | 25 | 35 | 50 | 63 | tg δ | 0.22 | 0.20 | 0.16 | 0.14 | 0.12 | 0.10 | 0.10 | | | | | | | | |
| U_R (V) | 6.3 | 10 | 16 | 25 | 35 | 50 | 63 | | | | | | | | | | | | | | | | | | |
| tg δ | 0.22 | 0.20 | 0.16 | 0.14 | 0.12 | 0.10 | 0.10 | | | | | | | | | | | | | | | | | | |
| 温度特性 Temperature characteristics (Impedance ratio at 120Hz) | <table border="1"> <thead> <tr> <th>U_R (V)</th> <th>6.3</th> <th>10</th> <th>16</th> <th>25</th> <th>35</th> <th>50</th> <th>63</th> </tr> </thead> <tbody> <tr> <td>Z-25°C / +20°C</td> <td>4</td> <td>3</td> <td>2</td> <td>2</td> <td>2</td> <td>2</td> <td>2</td> </tr> <tr> <td>Z-40°C / +20°C</td> <td>8</td> <td>6</td> <td>4</td> <td>4</td> <td>3</td> <td>3</td> <td>3</td> </tr> </tbody> </table> | U_R (V) | 6.3 | 10 | 16 | 25 | 35 | 50 | 63 | Z-25°C / +20°C | 4 | 3 | 2 | 2 | 2 | 2 | 2 | Z-40°C / +20°C | 8 | 6 | 4 | 4 | 3 | 3 | 3 |
| U_R (V) | 6.3 | 10 | 16 | 25 | 35 | 50 | 63 | | | | | | | | | | | | | | | | | | |
| Z-25°C / +20°C | 4 | 3 | 2 | 2 | 2 | 2 | 2 | | | | | | | | | | | | | | | | | | |
| Z-40°C / +20°C | 8 | 6 | 4 | 4 | 3 | 3 | 3 | | | | | | | | | | | | | | | | | | |
| 耐久性 Load life | <p>+105°C加额定电压 1000 小时, 恢复 16 小时后: After applying rated voltage for 1000 hours at +105°C and then resumed 16 hours:</p> <p>电容量变化率 Capacitance change : ±25%初始测量值以内 ±25% of the initial measured value 漏 电 流 Leakage current : ≤初始规定值 ≤The initial specified value 损耗角正切值 Dissipation factor : ≤2 倍初始规定值 ≤2times of the initial specified value</p> | | | | | | | | | | | | | | | | | | | | | | | | |
| 高温贮存 Shelf life | <p>+105°C, 1000 小时贮存后, 恢复 16 小时后: After storage for 1000 hours at +105°C and then resumed 16 hours</p> <p>电容量变化率 Capacitance change : ±25%初始测量值以内 ±25% of the initial measured value 漏 电 流 Leakage current : ≤2 倍初始规定值 ≤2times of the initial specified value 损耗角正切值 Dissipation factor : ≤2 倍初始规定值 ≤2times of the initial specified value</p> | | | | | | | | | | | | | | | | | | | | | | | | |

频率修正系数 Frequency coefficient

| F(Hz) CAP(μF) | 60 | 120 | 1K | ≥10k |
|------------------|-----|-----|------|------|
| 0.1~68 | 0.8 | 1 | 1.3 | 1.5 |
| 100~470 | 0.8 | 1 | 1.15 | 1.2 |

外形图及尺寸表 Case size table

单位Unit: mm



| | | | | |
|---|------|-----|-----|-----|
| D | 4 | 5 | 6.3 | 8 |
| F | 1.5 | 2.0 | 2.5 | 3.5 |
| d | 0.45 | | 0.5 | |

尺寸 DIMENSIONS

| CAP(μF) \ WV | | 6.3V(0J) | | 10V(1A) | | 16V(1C) | | 25V(1E) | | 35V(1V) | | 50V(1H) | | 63V(1J) | |
|--------------|-----|----------|--------|---------|--------|---------|--------|---------|--------|---------|--------|---------|--------|---------|--------|
| | | Size | Ripple | Size | Ripple | Size | Ripple | Size | Ripple | Size | Ripple | Size | Ripple | Size | Ripple |
| 0.1 | 0R1 | | | | | | | | | | | 4×7 | 1.5 | | |
| 0.22 | R22 | | | | | | | | | | | 4×7 | 2.5 | | |
| 0.33 | R33 | | | | | | | | | | | 4×7 | 3.5 | | |
| 0.47 | R47 | | | | | | | | | | | 4×7 | 5.0 | | |
| 1 | 010 | | | | | 4×7 | 6 | 4×7 | 7 | 4×7 | 6 | 4×7 | 10 | 4×7 | 12 |
| 2.2 | 2R2 | | | | | 4×7 | 8 | 4×7 | 9 | 4×7 | 8 | 4×7 | 19 | 4×7 | 18 |
| 3.3 | 3R3 | | | | | 4×7 | 10 | 4×7 | 11 | 4×7 | 10 | 4×7 | 24 | 5×7 | 25 |
| 4.7 | 4R7 | | | | | 4×7 | 12 | 4×7 | 15 | 4×7 | 22 | 4×7 | 27 | 5×7 | 28 |
| 10 | 100 | | | | | 4×7 | 24 | 4×7 | 28 | 4×7 | 29 | 5×7 | 40 | 6.3×7 | 40 |
| 22 | 220 | 4×7 | 31 | 4×7 | 33 | 4×7 | 37 | 5×7 | 45 | 5×7 | 50 | 6.3×7 | 60 | 8×7 | 65 |
| | | | | | | 5×7 | 42 | 6.3×7 | 48 | 6.3×7 | 58 | 8×7 | 65 | | |
| 33 | 330 | 4×7 | 37 | 4×7 | 41 | 5×7 | 48 | 5×7 | 52 | 6.3×7 | 59 | 8×7 | 78 | | |
| 47 | 470 | 4×7 | 44 | 4×7 | 51 | 5×7 | 57 | 6.3×7 | 60 | 8×7 | 80 | 8×7 | 80 | | |
| 100 | 101 | 5×7 | 68 | 5×7 | 75 | 6.3×7 | 89 | 8×7 | 115 | | | | | | |
| 220 | 221 | 6.3×7 | 101 | 6.3×7 | 105 | 8×7 | 135 | | | | | | | | |
| | | | | 8×7 | 145 | | | | | | | | | | |
| 330 | 331 | 8×7 | 120 | 6.3×7 | 110 | | | | | | | | | | |
| 470 | 471 | 8×7 | 125 | | | | | | | | | | | | |

Size $\phi D \times L$ (mm)

Maximum Allowable Ripple Current (mA rms) at 105°C 120Hz

X-ON Electronics

Largest Supplier of Electrical and Electronic Components

Click to view similar products for [Aluminium Electrolytic Capacitors - Radial Leaded](#) category:

Click to view products by [Huawei](#) manufacturer:

Other Similar products are found below :

[LXY50VB4.7M-5X11](#) [RFO-100V471MJ7P#](#) [ECE-A1EGE220](#) [B41041A2687M8](#) [B41041A7226M8](#) [B41044A7157M6](#)
[EKXG201EC3101ML20S](#) [EKZM160ETD471MHB5D](#) [NCD681K10KVY5PF](#) [NEV1000M25EF-BULK](#) [NEV100M35DC](#) [NEV100M63DE](#)
[NEV220M25DD-BULK](#) [NEV.33M100AA](#) [NEV4700M50HB](#) [NEV.47M100AA](#) [NEVH1.0M250AB](#) [NEVH3.3M250BB](#) [NEVH3.3M450CC](#)
[KM4700/16](#) [KME50VB100M-8X11.5](#) [SG220M1CSA-0407](#) [ES5107M016AE1DA](#) [ESMG160ETD102MJ16S](#) [ESX472M16B](#)
[SZ010M1500A5S-1015](#) [227RZS050M](#) [476CKH100MSA](#) [477RZS050M](#) [UVX1V101KPA1FA](#) [UVX1V222MHA1CA](#) [KME25VB100M-](#)
[6.3X11](#) [VTL100S10](#) [VTL470S10](#) [VTL470S16A](#) [511D336M250EK5D](#) [052687X](#) [ECE-A1CF471](#) [EKMA500ELL4R7ME07D](#) [NRE-](#)
[S560M16V6.3X7TBSTF](#) [RGA221M1CTA-0611G](#) [ERZA630VHN182UP54N](#) [UPL1A331MPH](#) [SK035M0100AZS-0611](#) [MAL214658821E3](#)
[NEV1000M6.3DE](#) [NEV100M16CB](#) [NEV100M50DD-BULK](#) [NEV2200M16FF](#) [NEV220M50EE](#)