



## ***HX6639(T)***

### **CMOS Ratio-Metric Linear Hall Effect IC**

HX6639, a linear Hall-effect sensor, is composed of Hall sensor, linear amplifier and Totem-Pole output stage. It features low noise output, which makes it unnecessary to use external filtering. It also can provide increased temperature stability and accuracy. The linear Hall sensor has a wide operating temperature range of -40°C to +125°C, appropriate for commercial, consumer, and industrial environments.

The high sensitivity of Hall-effect sensor accurately tracks extremely weak changes in magnetic flux density. The linear sourcing output voltage is set by the supply voltage and in proportion of vary of the magnetic flux density. Typical operation current is 2.5 mA and operating voltage range is 2.8 volts to 6.0 volts. Trim version is available for an ultra low offset products.

The three package styles available provide magnetically optimized solutions for most applications. Package types SO is an SOT-23(1.1 mm nominal height), SQ is an QFN2020-3(0.5 mm nominal height), a miniature low-profile surface-mount package, while package UA is a three-lead ultra-mini SIP for through-hole mounting.

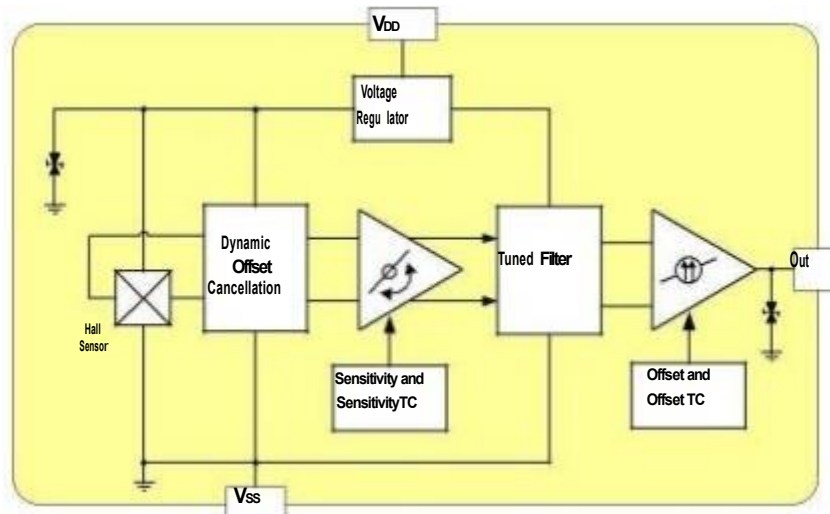
#### ***Features and Benefits***

- Operating Voltage Range: 2.8V~6.0V
- Power consumption of 3.3mA at 5 V<sub>DC</sub> for energy efficiency
- Low-Noise Operation
- Linear output for circuit design flexibility Totem-Pole for a stable and accurate output Responds to either positive or negative gauss
- Magnetically Optimized Package for UA,SQ,SO Trim version is precise on offset
- Robust ESD performance
- RoHS compliant 2011/65/EU and Halogen Free

#### ***Applications***

- Current sensing Motor control Position sensing
- Magnetic code reading
- Rotary encoder
- Ferrous metal detector
- Vibration sensing
- Liquid level sensing
- Weight sensing

<b>Part No.</b>	<b>Temperature Suffix</b>	<b>Package Type</b>
HX6639IUA-A	I (-40°C to +105°C)	UA (TO92-3L)
HX6639IUA-B	I (-40°C to +105°C)	UA (TO92-3L)
HX6639IUA-C	I (-40°C to +105°C)	UA (TO92-3L)
HX6639IUA-D	I (-40°C to +105°C)	UA (TO92-3L)
HX6639ISQ-A	I (-40°C to +105°C)	SQ (QFN2020-3)
HX6639ISQ-B	I (-40°C to +105°C)	SQ (QFN2020-3)
HX6639ISQ-C	I (-40°C to +105°C)	SQ (QFN2020-3)
HX6639ISQ-D	I (-40°C to +105°C)	SQ (QFN2020-3)
HX6639ISO-A	I (-40°C to +105°C)	SO(SOT-23)
HX6639ISO-B	I (-40°C to +105°C)	SO(SOT-23)
HX6639ISO-C	I (-40°C to +105°C)	SO(SOT-23)
HX6639ISO-D	I (-40°C to +105°C)	SO(SOT-23)
HX6639IUA-A-T	I (-40°C to +105°C)	UA (TO92-3L)
HX6639IUA-B-T	I (-40°C to +105°C)	UA (TO92-3L)
HX6639IUA-C-T	I (-40°C to +105°C)	UA (TO92-3L)
HX6639IUA-D-T	I (-40°C to +105°C)	UA (TO92-3L)
HX6639ISQ-A-T	I (-40°C to +105°C)	SQ (QFN2020-3)
HX6639ISQ-B-T	I (-40°C to +105°C)	SQ (QFN2020-3)
HX6639ISQ-C-T	I (-40°C to +105°C)	SQ (QFN2020-3)
HX6639ISQ-D-T	I (-40°C to +105°C)	SQ (QFN2020-3)
HX6639ISO-A-T	I (-40°C to +105°C)	SO(SOT-23)
HX6639ISO-B-T	I (-40°C to +105°C)	SO(SOT-23)
HX6639ISO-C-T	I (-40°C to +105°C)	SO(SOT-23)
HX6639ISO-D-T	I (-40°C to +105°C)	SO(SOT-23)

**Functional Diagram**

**Absolute Maximum Ratings At ( $T_a=25^\circ\text{C}$ )**

Characteristics		Values	Unit
Supply Voltage ( $V_{DD}$ )		8	V
Reverse Voltage, ( $V_{DDR}$ )		-0.5	V
Output Voltage, ( $V_{out}$ )		8	V
Output current, ( $I_{out}$ )		5	mA
Operating Temperature Range, ( $T_A$ )		-40 ~ +125	$^\circ\text{C}$
Storage temperature Range, ( $T_S$ )		-65 ~ +150	$^\circ\text{C}$
Maximum Junction Temp, ( $T_J$ )		150	$^\circ\text{C}$
Thermal Resistance	UA/SO/SQ	206/543/543	$^\circ\text{C}/\text{W}$
	UA/SO/SQ	148/410/410	$^\circ\text{C}/\text{W}$
Package Power Dissipation, ( $P_D$ )	UA/SO/SQ	606/230/230	mW

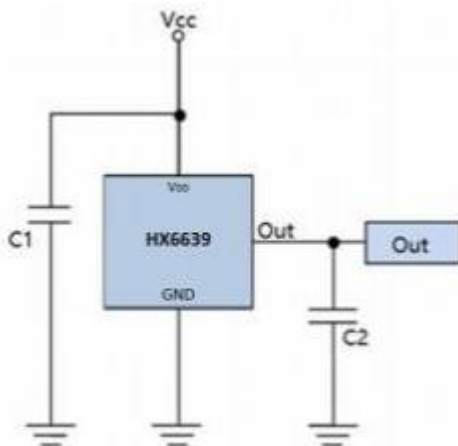
**Note:** Do not apply reverse voltage to  $V_{DD}$  and  $V_{OUT}$  Pin, It may be caused for Miss function or damaged device.

**Electrical Specifications**

DC Operating Parameters :  $T_A=+25^\circ\text{C}$ ,  $V_{CC}=5.0\text{V}$

Parameters	Test Conditions	Min	Typ	Max	Units
Supply Voltage, ( $V_{DD}$ )	Operating	2.8		6.0	V
Supply Current, ( $I_{DD}$ )	B= 0 Gauss		3.3	5.0	mA
Output Current, ( $I_o$ )	$V_{DD} > 3\text{V}$	1.0	1.5		mA
Null Output Voltage, ( $V_{NULL}$ )	A	B= 0 Gauss, (T Type)	2.375 (2.475)	2.5 (2.525)	V
	B	B= 0 Gauss, (T Type)	2.35 (2.45)	2.5 (2.55)	V
	C	B= 0 Gauss, (T Type)	2.325 (2.400)	2.5 (2.600)	V
	D	B= 0 Gauss, (T Type)	2.275 (2.375)	2.5 (2.625)	V
High Output Voltage, ( $V_{OH}$ )	B> Max Magnetic Gauss		4.9	4.99	V

Low Output Voltage, ( $V_{OL}$ )	B > Min Magnetic Gauss	0.01	0.1		V	
Output Voltage Span, ( $V_{OS}$ )			4.8		V	
Output Referred Noise, ( $V_{ON}$ )	Ta=25°C, output open		20		mV	
Power-On Time, ( $T_P$ )				100	uS	
Output Switch Time, ( $T_{SW}$ )				150	uS	
Output Switch Frequency, ( $F_{SW}$ )		3			kHz	
Magnetic Range Gauss	A		±600		Gauss	
	B		±343		Gauss	
	C		±240		Gauss	
	D		±185		Gauss	
Ratiometry Null output error, ( $R_{VON}$ )	Operating voltage range relative to 5V		±1.5		%	
Ratiometry Sensitivity error, ( $R_{SEN}$ )	Operating voltage range relative to 5V		±1.5		%	
Linearity, ( $LIN$ )	% of Span		±1.5		%	
Sensitivity	A	Standard, (T type)	3.68 (3.80)	4.0	4.32 (4.20)	mV/G
	B	Standard, (T type)	6.44 (6.65)	7.0	7.56 (7.35)	mV/G
	C	Standard, (T type)	9.0 (9.5)	10.0	10.8 (10.5)	mV/G
	D	Standard, (T type)	11.7 (12.35)	13.0	14.3 (13.65)	mV/G
Sensitivity Temperature Coefficient, ( $TC_{Sens}$ )	Ta=105°C, relative to Sens@25°C		±0.1		%/°C	
Deltanull voltage, ( $\Delta V_{ON}$ )	Ta=105°C, relative to $V_{ON}$ @25°C		20		mV	
Electro-Static Discharge	HBM	4			KV	

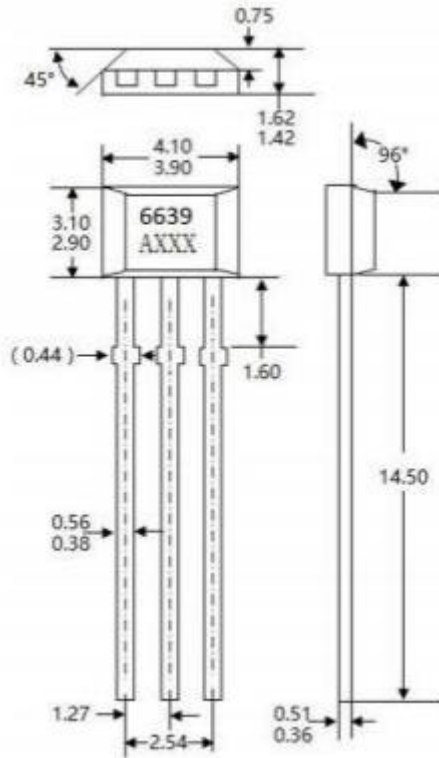
**Typical application circuit**


C1: 1nF/10V  
 C2: 10nF/10V

**Sensor Location, Package Dimension and Marking**

**Package**

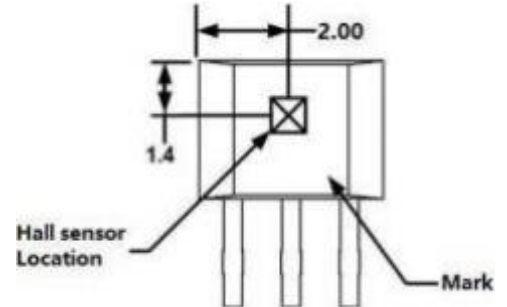
**UA package**



**NOTES:**

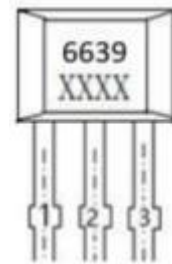
1. Controlling dimension: mm
2. Leads must be free of flash and plating voids
3. Do not bend leads within 1 mm of lead to package interface.
4. PINOUT:  
 Pin 1 VCC  
 Pin 2 GND  
 Pin 3 Output
5. XXXX, 1<sup>st</sup> X = A/B/C/D  
 2<sup>nd</sup> - 4<sup>th</sup> X = Date Code

**Hall Chip location**

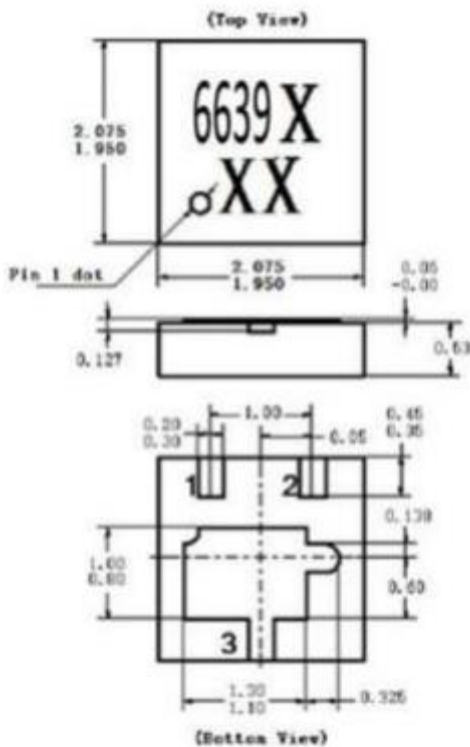


**Output Pin Assignment**

**(Top view)**



**SQ Package**

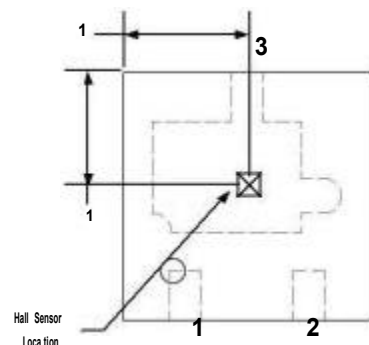


**NOTES:**

1. PINOUT (See Top View at left)  
 Pin 1 Vcc  
 Pin 2 Output  
 Pin 3 GND
2. Controlling dimension: mm;
3. Chip rubbing will be 10mil maximum;
4. Chip must be in PKG. center.
5. 6639X, X=A/B/C/D
6. XX= Date code

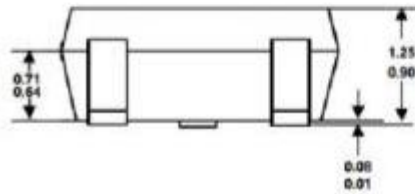
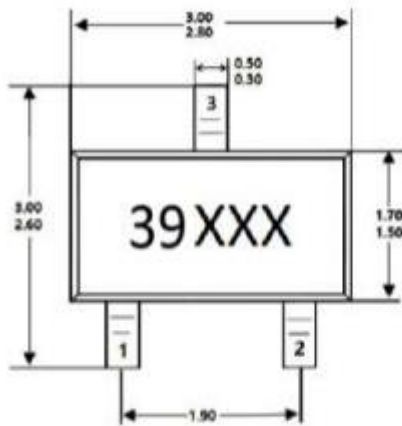
**Hall Plate Chip Location**

**(Top view)**



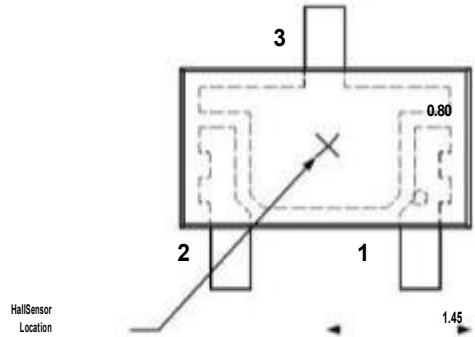
**SO Package**

**(Top View)**



**Hall Plate Chip Location**

**(Bottom view)**



**NOTES:**

1. PINOUT (See Top View at left :)

- Pin 1 V<sub>DD</sub>
- Pin 2 Output
- Pin 3 GND

2. Controlling dimension: mm

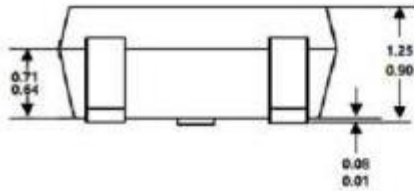
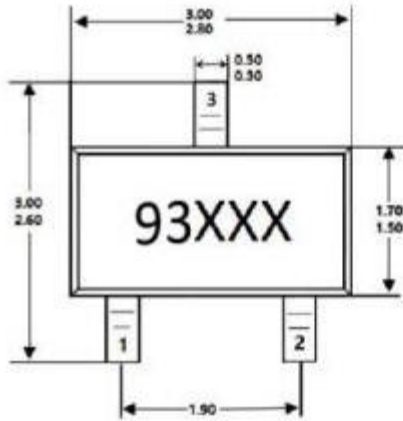
3. Lead thickness after solder plating will be 0.254mm maximum

4. Chip must be in PKG. center.

5. 39XXX , 1<sup>st</sup> X = A/B/C/D 2<sup>nd</sup>-3<sup>rd</sup> =Date Code

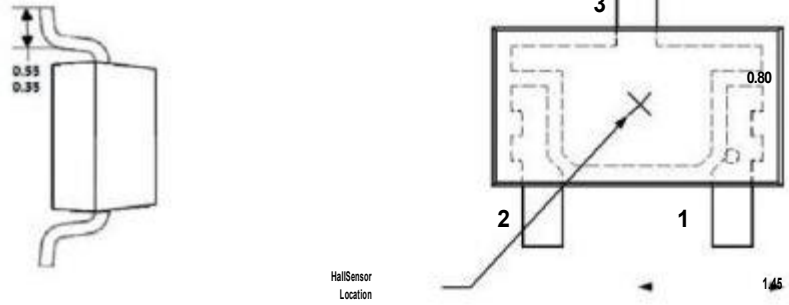
**SO Package**

**(Top View)**



**Hall Plate Chip Location**

**(Bottom view)**



**NOTES:**

1. PINOUT (See Top View at left :)

- Pin 1 V<sub>DD</sub>
- Pin 2 Output
- Pin 3 GND

2. Controlling dimension: mm

3. Lead thickness after solder plating will be 0.254mm maximum

4. Chip must be in PKG. center.

5. 93XXX , 1<sup>st</sup> X = A/B/C/D 2<sup>nd</sup>~3<sup>rd</sup> =Date Code

## X-ON Electronics

Largest Supplier of Electrical and Electronic Components

*Click to view similar products for [Industrial Hall Effect/Magnetic Sensors](#) category:*

*Click to view products by [HUAXIN](#) manufacturer:*

Other Similar products are found below :

[GT-13013](#) [GT-13040](#) [GT-14114](#) [DRR-129\(62-68\)](#) [ATS682LSHTN-T](#) [SR4P2-C7](#) [GT-13012](#) [GT-14049](#) [GT-14067](#) [GT-14132](#) [GT-18030](#)  
[103FW12-R3](#) [A1155LLHLT-T](#) [SMSA2P30CG](#) [P2D-000](#) [GN 55.2-SC-15-3](#) [GN 55.2-SC-5-3](#) [MZA70175](#) [103FW41-R1](#) [KJR-D100AN-](#)  
[DNA-VE](#) [KJR-D100AN-DNIA-V2](#) [SR-10018](#) [115L 14E 502 W06017](#) [ATS128LSETN-T](#) [TLE4906LHALA1](#) [TLE49452LHALA1](#)  
[BU52013HFV-TR](#) [MRMS591A](#) [103SR14A-1](#) [MZT7-03VPS-KR0](#) [MZT7-03VPS-KW0](#) [MZT8-03VPS-KW0](#) [MZT8-28VPS-KP0](#)  
[A1326LLHLX-T](#) [A1326LLHLT-T](#) [A1156LLHLT-T](#) [ACS770LCB-100U-PFF-T](#) [ATS617LSGTN-T](#) [AH49ENTR-G1](#) [SS360PT](#) [SS311PT](#)  
[GN 55.2-ND-15-3](#) [GN 55.2-ND-18-3](#) [GN 55.2-ND-4-3](#) [GN 55.2-ND-8-3](#) [GN 55.2-SC-10-3](#) [GN 55.4-ND-10-7,5-2](#) [GN 55.4-ND-12-9,5-2,5](#)  
[GN 55.4-ND-26-20,3-5](#) [GN 55.4-ND-7,5-4-1,5](#)