

CRYSTAL UNIT

JU3080

Applications Features

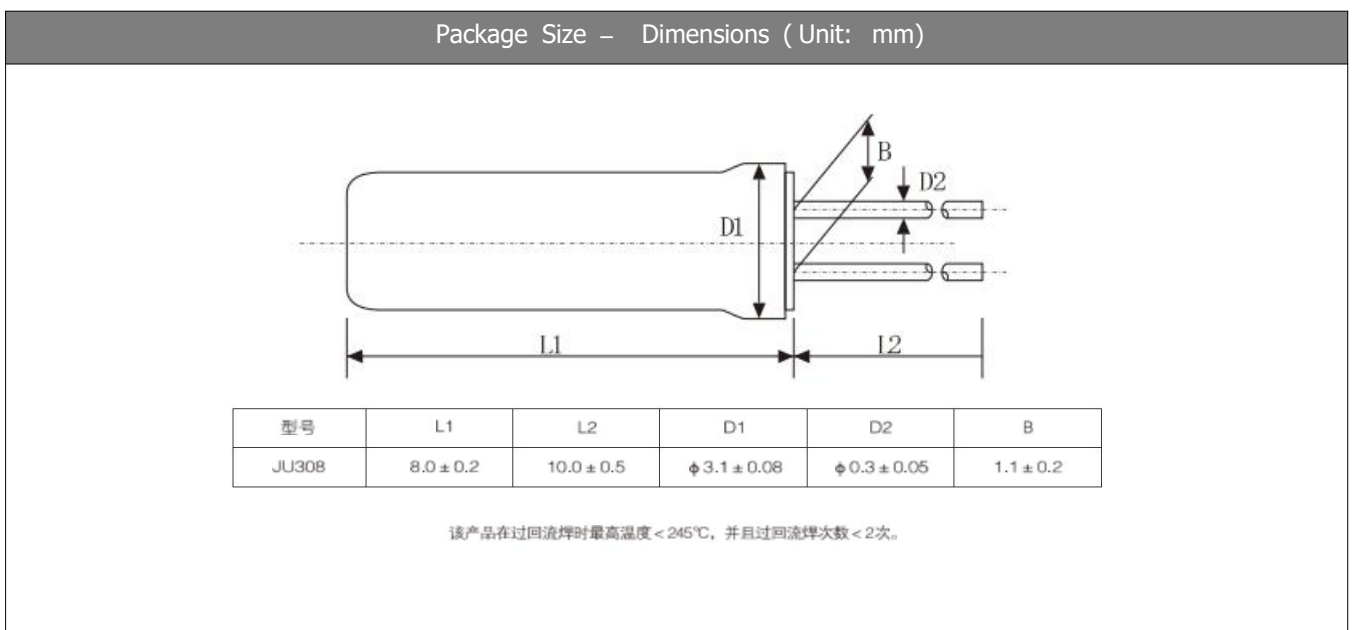
- SmartWearable
- IOT Communication.
- Dimensions:3.00 x8.00 x H mm .
- Standard Frequency: 32.768 KHz
- High precision and high frequency stability.
- Extremely good for reducing EMI effect .



规格 Specifications

频率范围 Standard Frequency	32.768 KHz
振动模式 Vibration Mode	AT Fundamental
负载电容 Load Capacitance	6pF,9 pF,12.5pF,15pF
频率差值 Frequency Tolerance (at 25℃)	± 10ppm ~ ±30ppm
温度频差 Frequency Stability	±20ppm ~ ±30ppm
工作温度 Operating Temperature	-40~+85℃ , -40~+125℃
储存温度 Storage Temperature	-55~+125℃
静态电容 Shunt Capacitance	0.85 pF Typ.
激励电平 Level of Drive	1.0μWMax.
温度系数 Temperature coefficient	-0.04×10 ⁻⁶ / C ² Max.
串联电阻 Equivalent Series Resistance	60KΩ Max.
串联电容 Equivalent Series Capacitance	2.0 fF Typ.
年老化率 Aging (at 25℃)	±3ppm/year Max.

外形尺寸 Dimensions and Patterns [unit: mm]



X-ON Electronics

Largest Supplier of Electrical and Electronic Components

Click to view similar products for [Crystals](#) category:

Click to view products by [huaxindianzi](#) manufacturer:

Other Similar products are found below :

[CX3225GB25000M0PPSZ1](#) [718-13.2-1](#) [7A-40.000MAAE-T](#) [FL2000085](#) [99-BU](#) [9B-15.360MBBK-B](#) [9C-7.680MBBK-T](#) [H10S-12.000-18-EXT-TR](#) [ABC2-6.000MHZ-D4Z-T](#) [ABLS-20.000MHZ-D2-T](#) [ABS071-32.768KHZ-6-T](#) [R38-32.768-12.5-5PPM-NPB](#) [21U15A-21.4MHZ](#) [RTX-781DF1-S-20.950](#) [LFXTAL066198Cutt](#) [9C-14.31818MBBK-T](#) [A-11.000MHZ-27](#) [ABL-27.000MHZ-B4Y-T](#) [ABM11-132-24.000MHZ-T3](#) [ABM3B1-25.000MHZ-D2Y-T](#) [SPT2A-.032768B](#) [SPT2A.032768G](#) [SSPT7F-9PF20-R](#) [LFXTAL065253Cutt](#) [LFXTAL066431Cutt](#) [XT9S20ANA14M7456](#) [XT9SNLANA16M](#) [7A-24.576MBBK-T](#) [7B-30.000MBBK-T](#) [CX2520DB16000H0HPQCC](#) [MMCC2R32.7680KHZ](#) [6504-202-1501](#) [6526-202-1501](#) [ABLS-12.000MHZ-B2Y-T](#) [7A-10.000MBBK-T](#) [SG636PCE-20.000MC](#) [3404](#) [CM315D32768EZFT](#) [C1E-24.000-7-2020-R](#) [C1E-19.200-12-1530-X-R](#) [C1E-16.000-12-1530-X-R](#) [ABM11-16.000MHZ-9-B1U-T](#) [FL5000014](#) [EUCA18-3.1872M](#) [FX0800015](#) [425F35E027M0000](#) [FP0800018](#) [MS3V-T1R-32.768kHz-7pF-20PPM-TA-QC-Au](#) [VXM7-1C1-16M000](#) [MS3V-T1R-32.768kHz-9pF-20PPM-TA-QC-Au](#)