



# 深圳市咸阳华星机电有限公司

SHENZHEN XIANYANG HUAXING MACHINERG & ELECTRONIC.CO;LTD

## 承认书

(APPROVE SHEET)

客 户(Customer): \_\_\_\_\_

品 名(Description): RN 高压电阻器

规格(Specification): \_\_\_\_\_

客户料号(Cus. P/N): \_\_\_\_\_

版本日期(Ver Date): 2020年07月20日 A0版

| 供方签章<br>(SUPPLIER SIGNATURE) |            | 客户承认签章<br>(APPROVAL SIGNATURE) |  |
|------------------------------|------------|--------------------------------|--|
| 制作<br>DRAWN BY               | 邓春光        | 核 準<br>APPROVED BY             |  |
| 审 核<br>CHECKED BY            | 李跃龙        | 结 果<br>RESULT                  |  |
| 日 期<br>DATE                  | 2020-07-20 | 日 期<br>DATE                    |  |

电话 TEL: 86+755—81785561 /562 /563 传真 FAX: 86+755—81785565

工厂地址: 深圳市宝安区石岩街道浪心社区洲石路“湖其斗”嘉达工业园1栋2楼.

公司官网 [Http://www.szxyhx.com](http://www.szxyhx.com)



# RN 高压电阻器

## High Voltage Resistor

### 1. 一般事项 General

#### 1.1 适用 Scope

本承认书适用于 [高压电阻器], 符合环境关联物质要求之 RoHS 测试。

This specification is available for High Voltage Resistor manufactured, it accords with RoHS test of Environment related substance requirement.

#### 1.2 形名(例) Type designation (example)

依使用种类、额定电力、公称电阻值、容许误差及型状而区别,其构造如下。

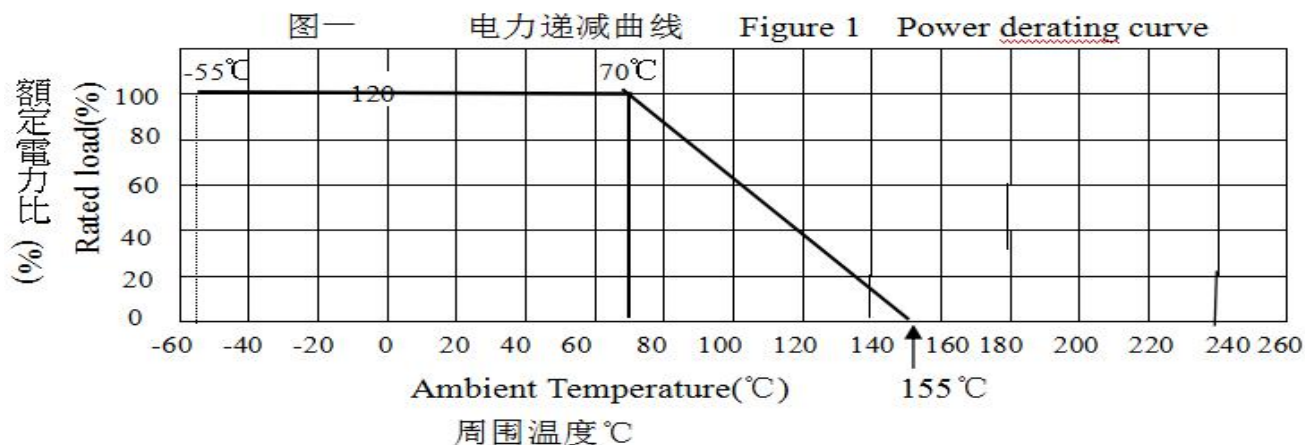
The type designation shall be in the following form and as specified.

| RN         | 1W                  | 100K                                 | ± 5%                               | T52                                       |
|------------|---------------------|--------------------------------------|------------------------------------|---|
| 种类<br>Type | 额定电力<br>Rated power | 公称电阻值<br>Nominal resistance<br>value | 电阻值容许误差<br>Resistance<br>tolerance | 形状<br>Form                                |
|            | 标准<br>Normal        | E-24 Series                          | J ± 5%                             | P 型 P Type                                |
|            | 小型<br>Small         | E-96 Series                          | G ± 2%                             | M 型 M Type                                |
|            | 1/4W                |                                      | F ± 1%                             | MB 型 MB Type                              |
|            | 1/2WS               |                                      |                                    | FK1 型 FK1Type                             |
|            | 1/2W                |                                      |                                    | FK2 型 FK2 Type                            |
|            | 1WS                 |                                      |                                    | FKK 型 FKK Type                            |
|            | 1W                  |                                      |                                    | T52 型指编带内宽<br>尺寸为 52mm, 详<br>见《尺寸图 5.2 项》 |
|            | 2WS                 |                                      |                                    |   |
|            | 2W                  |                                      |                                    |   |
|            | 3WS                 |                                      |                                    |   |
|            | 3W                  |                                      |                                    |   |
|            | 5WS                 |                                      |                                    |   |

#### 1.3 额定电力 Rated power

额定电力系应在周围温度 70°C 可以连续负载的最大电力, 如表-1; 但周围温度如超过 70°C 时之额定电力则依图一的电力递减曲线实施。

Rated power is maximum power which can be continuously loaded at specified ambient temperature 70°C, as Table-1; however when the ambient temperature exceeds 70°C, rated power should be determined from the derating curve of Fig.1.



#### 1.4 使用环境温度: -55°C ~ +125°C Operating ambient temperature -55°C ~ +125°C



## RN 高压电阻器

### High Voltage Resistor

1.5 功率因数计算公式:  $E = \sqrt{P \times R}$  Where E: 额定电压 Rated voltage(V)  
 P: 定格电力 Rated power(W)  
 R: 公称电阻值 Nominal resistance( $\Omega$ )

| 种类<br>Type | 定格电力<br>Rated power | 最大工作电压<br>Max Working<br>Voltage | 最大负荷电压<br>Max Overload<br>Voltage | 绝缘耐电压<br>Dielectric withstanding<br>voltage |
|------------|---------------------|----------------------------------|-----------------------------------|---|
| 1/4W       | 0.25W               | 500V                             | 700V                              | 300V  |
| 1/2W       | 0.5W                | 700V                             | 1000V                             | 350V  |
| 1W         | 1W                  | 1000V                            | 1200V                             | 500V  |
| 2W         | 2W                  | 1000V                            | 1400V                             | 500V  |

## 2. 构造 Construction

### 2.1 外形尺寸 External dimensions

参照本承认书的 [5. 外形尺寸]。

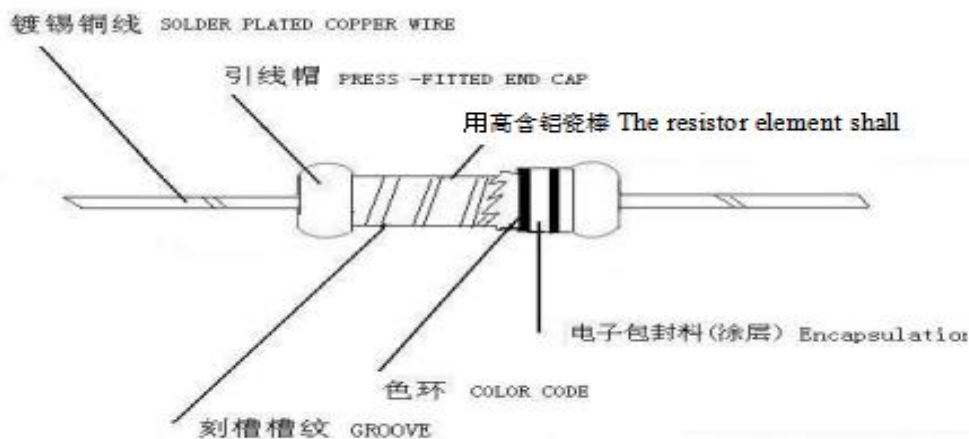
The dimensions shall be satisfied with [5. External dimensions].

### 2.2 构造图 Structure diagram

RN 系列之高压固定电阻器系按下表的材料而构成:

The construction of resistor (RN series) shall be as follows:

### 2.3 外观颜色 Resistor body color: 灰色(Gray)





## RN 高压电阻器

### High Voltage Resistor

#### 3. 参数特性 Characteristics

表-3 Table-3

| 项目<br>Item                                   | 规格值<br>Performance   | 试验方法(依据 JIS C 5202)<br>Test methods(Conform to JIS C 5202)  |
|--|--|---|
| 温度系数<br>Temperature<br>Coefficient           | ±200PPM/°C 以内。<br>Within ±200PPM/°C.   | 5.2 项参照 Comply with 5.2<br>$\frac{R_1 - R_0}{R_0(T_1 - T_0)} \times 10^6 (\text{PPM}/^\circ\text{C})$<br>R <sub>0</sub> : 室温(T <sub>0</sub> )所测量之电阻值。<br>R <sub>1</sub> : 室温+100°C(T <sub>1</sub> )后所测量之电阻值。<br>R <sub>0</sub> : Resistance value at room temp.( T <sub>0</sub> ).<br>R <sub>1</sub> : Resistance value at room temp.plus 100°C (T <sub>1</sub> ) |
| 短时间过负荷<br>Short time<br>overload             | ±(1%+0.05 Ω)以内。<br>不得有机械的损伤。<br>Within ±(1%+0.05 Ω).<br>No evidence of mechanical damage.                  | 5.5 项参照 Comply with 5.5<br>额定电压×2.5 倍,5 秒。<br>不可超过最高过负荷电压(见表-1)<br>Rated voltage×2.5 times,5s<br>But not to exceed maximum overload<br>voltage.(See table-1)  |
| 绝缘电阻<br>Insulation<br>Resistance             | 10 <sup>4</sup> MΩ 以上。<br>10 <sup>4</sup> MΩ or more.  | 5.6 项参照 Comply with 5.6<br>置于 V 型槽方法。<br>施加直流电压 500V 60 秒。<br>V-block method<br>Resistor shall be tested at DC 500V for 60<br>seconds.  |
| 耐电压<br>Dielectric<br>Withstanding<br>Voltage | 无电弧放电、烧损及绝<br>缘破坏等异状。<br>No evidence of flashover mechanical<br>damage, arcing<br>or insulation breakdown. | 5.7 项参照 Comply with 5.7<br>常压,置于 V 型槽方法。<br>施加个别规定之交流电压 60 秒。(见表-1)<br>Constant pressure, V-block method<br>Resistor shall be tested at AC potential<br>respectively for 60 seconds. (See table-1)  |
| 断续过负荷<br>Pulse overload                      | ±(5%+0.1 Ω)以内。<br>Within ±(5%+0.1 Ω)   | 5.8 项参照 Comply with 5.8<br>额定电压×4 倍,10000 回(1 秒 ON,25 秒<br>OFF)。<br>不可超过最高断续电压(见表-1)<br>Rated voltage X 4 times, 10000 cyc.(1s<br>ON, 25s OFF)<br>But not to exceed maximum pulse<br>voltage. (See table-1)   |



# RN 高压电阻器

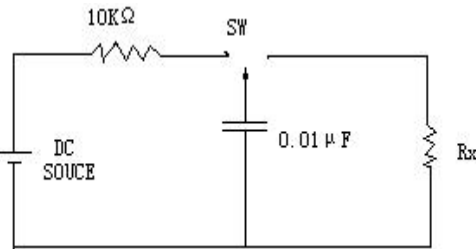
## High Voltage Resistor

| 项 目<br>Item                           | 规格值<br>Performance  | 试验方法(依据 JIS C 5202)<br>Test methods(Conform to JIS C 5202)   |                          |                   |                                |             |  |                |         |                |  |
|---------------------------------------|---|--|--------------------------|-------------------|--------------------------------|-------------|--|----------------|---------|----------------|--|
| 端子强度<br>Terminal strength             | 端子不得断裂及松弛。<br>No evidence of mechanical damage.   | 6.1 项参照 Comply with 6.1  |                          |                   |                                |             |  |                |         |                |  |
|                                       |   | <table border="1"> <thead> <tr> <th>引张强度<br/>Tensile strength</th> <th>线径 mm<br/>Diameter</th> <th>引张力<br/>Tensile force<br/>N(kgf)</th> <th>时 间<br/>Time</th> </tr> </thead> <tbody> <tr> <td></td> <td>Φ0.38mm~0.50mm</td> <td>5(0.51)</td> <td rowspan="2">10±1<br/>second</td> </tr> <tr> <td></td> <td>Φ0.50mm~0.80mm</td> <td>10(1.02)</td> </tr> </tbody> </table> <p>扭转强度：自电阻体起约 6mm~6.5mm 处之端子线,以约 0.75mm 曲率半径弯曲 90 度,其次由弯曲处向端子线先端 1.2±0.4mm 处挟定端子引出轴,作回转轴,以约 5 秒时间沿直面回转 360° 再逆转 360°,如此施行回逆转 2 次,不可发生折断及松动现象。</p> <p>Tensional strength: To bend the lead wire at the point of about 6mm~6.5mm from resistor body. about 0.75mm curvature radii to 90° then catch the wire at 1.2±0.4mm apart from the bend point end and turn it ( clockwise ) by 360 degrees perpendicular to the resistor axis at speed of same 5 seconds per turn, and do the same counterclockwise again which constitute a whole turn. Repeat the turn for 2 times without causing any break and looseness.</p> | 引张强度<br>Tensile strength | 线径 mm<br>Diameter | 引张力<br>Tensile force<br>N(kgf) | 时 间<br>Time |  | Φ0.38mm~0.50mm | 5(0.51) | 10±1<br>second |  |
| 引张强度<br>Tensile strength              | 线径 mm<br>Diameter   | 引张力<br>Tensile force<br>N(kgf)   | 时 间<br>Time              |                   |                                |             |  |                |         |                |  |
|                                       | Φ0.38mm~0.50mm  | 5(0.51)  | 10±1<br>second           |                   |                                |             |  |                |         |                |  |
|                                       | Φ0.50mm~0.80mm  | 10(1.02)   |                          |                   |                                |             |  |                |         |                |  |
| 焊锡耐热性<br>Resistance to soldering heat | ±(1%+0.05 Ω)以内。<br>不得有机械的损伤。<br>Within ±(1 %+0.05 Ω)<br>No evidence of mechanical damage. | 6.4 项参照 Comply with 6.4<br>350±10℃, 3±1.0 秒, 试验后放置半小时。<br>350±10℃, 3±1.0s<br>After test leave for 0.5h.  |                          |                   |                                |             |  |                |         |                |  |
| 焊锡附着性<br>Solderability                | 导线至少 95%以上新锡覆盖。<br>Covered with new solder by 95% at least.                               | 6.5 项参照 Comply with 6.5<br>焊锡温度: 255±5℃。<br>浸锡时间: 3±1.0 秒。<br>Test temperature of solder:255±5℃<br>Dipping time in solder:3±1.0 s  |                          |                   |                                |             |  |                |         |                |  |
| 耐溶剂性<br>Resistance to solvent         | 涂装及色码不得脱落。<br>No deterioration of protective coating and markings.                        | 6.9 项参照 Comply with 6.9<br>放入酒精溶剂之超音波机内, 保持 3 分钟。<br>Specimens shall be immersed in a bath of isoproalcohol completely for 3 minutes with ultrasonic.  |                          |                   |                                |             |  |                |         |                |  |



## RN 高压电阻器

### High Voltage Resistor

| 项目<br>Item                      | 规格值<br>Performance   | 试验方法(依据 JIS C 5202)<br>Test methods(Conform to JIS C 5202)   |
|---------------------------------|--|--|
| 温度循环<br>Temperature cycle       | $\pm(2\%+0.05\ \Omega)$ 以内。<br>不得有机械的损伤。<br>Within $\pm(2\%+0.05\ \Omega)$<br>No evidence of mechanical damage.                                    | 7.4 项参照 Comply with 7.4<br>低温侧: $-55^{\circ}\text{C}/30$ 分, 室温: 10~15 分钟<br>高温侧: $+80^{\circ}\text{C}/30$ 分, 室温: 10~15 分钟<br>5 回<br>Low side: $-55^{\circ}\text{C}/30\text{min}$ , Room temp.: 10 to 15min<br>High side: $80^{\circ}\text{C}/30\text{min}$ , Room temp.: 10 to 15min<br>5 cycles |
| 耐湿负荷寿命<br>Load life in humidity | $\pm(5\%+0.05\ \Omega)$ 以内。<br>Within $\pm(5\%+0.05\ \Omega)$  | 7.9 项参照 Comply with 7.9<br>$40\pm 2^{\circ}\text{C}$ , 湿度 90~95%, 1000 小时<br>定格电压(90 分钟 ON, 30 分钟 OFF)<br>$40\pm 2^{\circ}\text{C}$ , 90 to 95%RH, 1000h<br>Rated voltage (90 min ON, 30 min OFF)  |
| 负荷寿命<br>Load life               | $\pm(5\%+0.1\ \Omega)$ 以内。<br>Within $\pm(5\%+0.1\ \Omega)$  | 7.10 项参照 Comply with 7.10<br>$70\pm 3^{\circ}\text{C}$ , 1000 小时<br>定格电压(90 分钟 ON, 30 分钟 OFF)<br>$70\pm 3^{\circ}\text{C}$ , 1000h<br>Rated voltage (90 min ON, 30 min OFF)  |
| 耐冲击试验<br>Impact test            | $\pm(5\%+0.1\ \Omega)$ 以内。<br>Within $\pm(5\%+0.1\ \Omega)$<br> | 加入適當電壓 2.5 秒 ON, 2.5 秒 OFF. 循環 10 次<br>Add to suitable voltage 2.5 seconds ON, 2.5 seconds OFF, for 10 times.  |

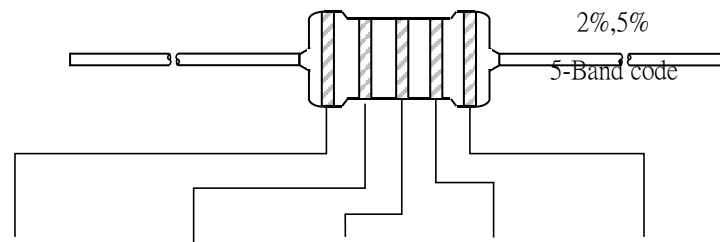


## RN 高压电阻器

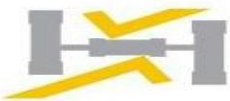
### High Voltage Resistor

#### 4. 表示 Indication

色码 Color Code



| 颜色 Color | 第 1 数字<br>1 <sup>st</sup> figure | 第 2 数字<br>2 <sup>nd</sup> figure | 第 3 数字<br>3 <sup>RD</sup> figure | 倍 率<br>Multiplier | 误差率<br>Tolerance |
|----------|----------------------------------|----------------------------------|----------------------------------|-------------------|------------------|
| 黑 Black  | 0                                | 0                                | 0                                | $10^0$            |                  |
| 棕 Brown  | 1                                | 1                                | 1                                | $10^1$            | ±1% (F)          |
| 红 Red    | 2                                | 2                                | 2                                | $10^2$            | ±2% (G)          |
| 橙 Orange | 3                                | 3                                | 3                                | $10^3$            |                  |
| 黄 Yellow | 4                                | 4                                | 4                                | $10^4$            |                  |
| 绿 Green  | 5                                | 5                                | 5                                | $10^5$            | ±0.5% (D)        |
| 蓝 Blue   | 6                                | 6                                | 6                                | $10^6$            | ±0.25% (C)       |
| 紫 Violet | 7                                | 7                                | 7                                | $10^7$            | ±0.1% (B)        |
| 灰 Gray   | 8                                | 8                                | 8                                |                   | ±0.05% (A)       |
| 白 White  | 9                                | 9                                | 9                                |                   |                  |
| 金 Gold   |                                  |                                  |                                  | $10^{-1}$         | ±5% (J)          |
| 银 Silver |                                  |                                  |                                  | $10^{-2}$         | ±10% (K)         |
| 无 Plain  |                                  |                                  |                                  |                   | ±20% (M)         |



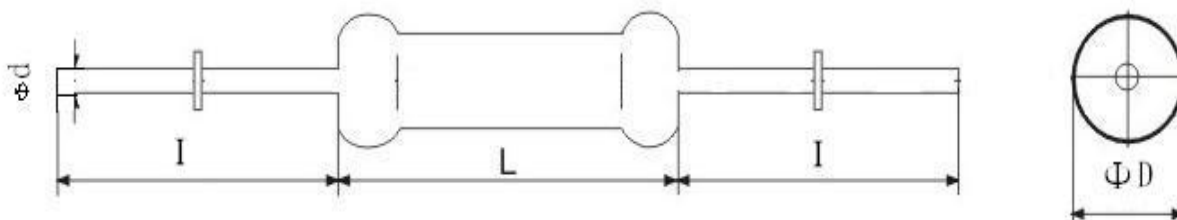
# RN 高压电阻器

## High Voltage Resistor

### 5. 外形寸法 External dimensions

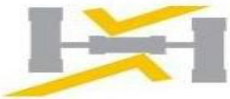
#### 5.1 散装 P 型 P type

P Type



| 种类 Type            |                   | 尺寸 Dimensions |             |               |                  |             |
|--------------------|-------------------|---------------|-------------|---------------|------------------|-------------|
| 普通型<br>Normal Size | 小型化<br>Small Size | I             | $L \pm 1.5$ | $\psi D$      | $\psi d \pm 0.1$ | $I \pm 2.0$ |
| 1/4W               | 1/2WS             | 60            | 6.5         | $2.4 \pm 0.5$ | 0.50             | 28          |
| 1/2W               | 1WS               | 60            | 9.0         | $3.3 \pm 0.5$ | 0.50             | 28          |
| 1W                 | 2WS               | 60            | 11.5        | $4.5 \pm 1.0$ | 0.60             | 25          |
|                    |                   | 73            | 11.5        | $4.5 \pm 1.0$ | 0.60             | 31          |
| 2W                 | 3WS               | 70            | 15.5        | $5.0 \pm 1.0$ | 0.70             | 25          |
|                    |                   | 81            | 15.5        | $5.0 \pm 1.0$ | 0.70             | 33          |
|                    |                   | 94            | 15.5        | $5.0 \pm 1.0$ | 0.70             | 40          |
| 3W                 | 5WS               | 81            | 17.5        | $6.0 \pm 1.0$ | 0.70             | 38          |



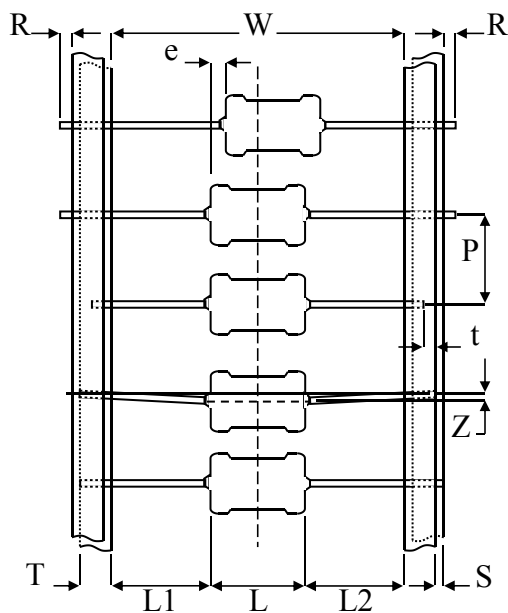


# RN 高压电阻器

## High Voltage Resistor

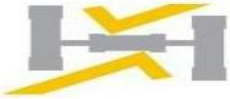
### 5.2 带装 Axial Lead Taping

Txx Type



单位：mm  
Unit：mm

| 种类 Type         |                | 带状 Taping | 尺寸 Dimensions |        |        |            |       |        |        |        |        |        |
|-----------------|----------------|-----------|---------------|--------|--------|------------|-------|--------|--------|--------|--------|--------|
| 普通型 Normal Size | 小型化 Small Size |           | L             | W      | P      | L1-L2 Max. | T     | Z Max. | R Max. | t Max. | e Max. | S Max. |
| 1/4W            | 1/2WS          | T52       | 6.5±0.5       | 52±1.0 | 5±0.5  | 1.0        | 6±0.5 | 1.2    | 0      | 3.0    | 0.6    | 0.5    |
| 1/2W            | 1WS            | T52       | 9.0±1.0       | 52±1.0 | 5±0.5  | 1.0        | 6±0.5 | 1.2    | 0      | 3.0    | 0.6    | 0.5    |
| 1W              | 2WS            | T52       | 11.5±1.0      | 52±1.0 | 5±0.5  | 1.0        | 6±0.5 | 1.2    | 0      | 3.0    | 0.6    | 0.5    |
|                 |                | T67       | 11.5±1.0      | 67±1.0 | 5±0.5  | 1.0        | 6±0.5 | 1.2    | 0      | 3.0    | 0.6    | 0.5    |
| 2W              | 3WS            | T52       | 15.5±1.0      | 52±1.0 | 10±0.5 | 1.0        | 6±0.5 | 1.2    | 0      | 3.0    | 0.6    | 0.5    |
|                 |                | T73       | 15.5±1.0      | 73±1.0 | 10±0.5 | 1.0        | 6±0.5 | 1.2    | 0      | 3.0    | 0.6    | 0.5    |
|                 |                | T84       | 15.5±1.0      | 84±1.0 | 10±0.5 | 1.0        | 6±0.5 | 1.2    | 0      | 3.0    | 0.6    | 0.5    |
| 3W              | 5WS            | T84       | 17.5±1.5      | 84±1.0 | 10±0.5 | 1.0        | 6±0.5 | 1.2    | 0      | 3.0    | 0.6    | 0.5    |

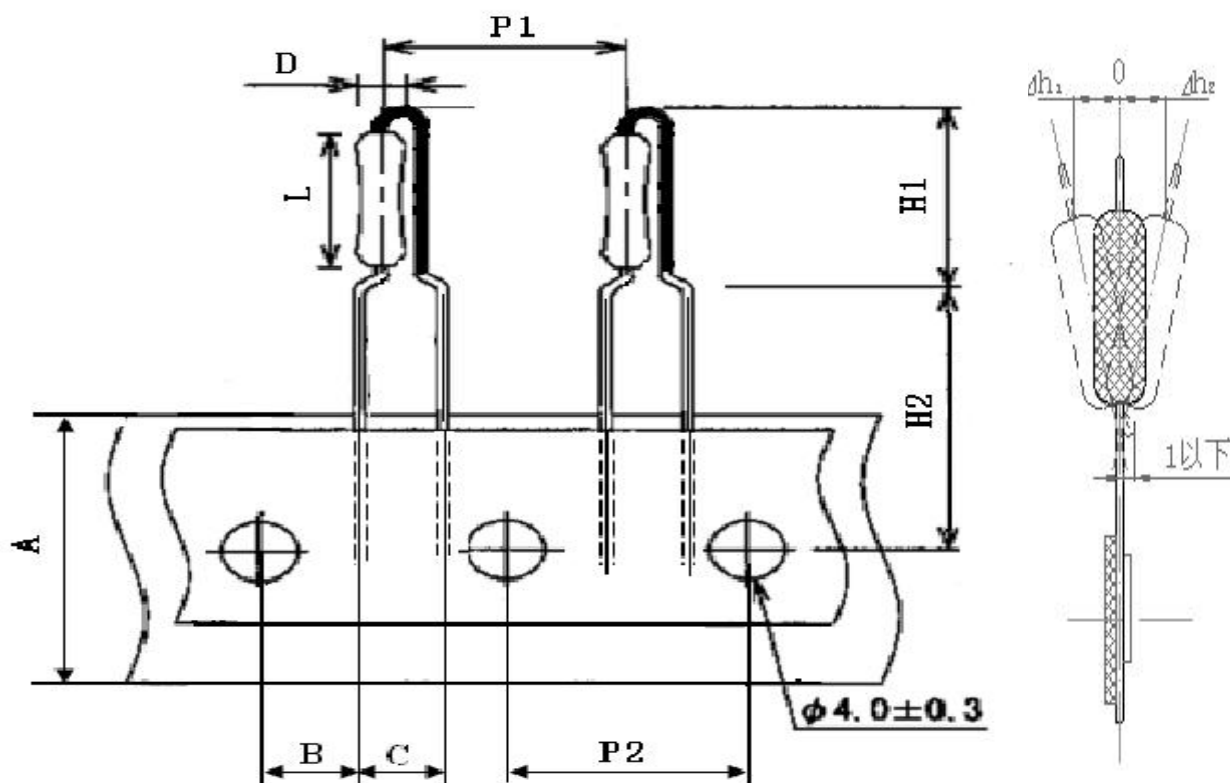


## RN 高压电阻器

### High Voltage Resistor

#### 5.3 FAT 立式编带形状适用于 (1/2W、1WS、1W、2W、3W 功率电阻)

注：引线涂脚漆的客户下单需备注说明，否则默认为不涂装脚漆。



| 规格   | 尺寸 (mm)              |                |               |                |                |                 |                      |
|------|----------------------|----------------|---------------|----------------|----------------|-----------------|----------------------|
|      | A                    | B              | C             | P1             | P2             | H1              | H2                   |
| 1/2W | $18.0^{+1.0}_{-0.5}$ | $3.85 \pm 0.5$ | $5.0 \pm 0.5$ | $12.7 \pm 0.5$ | $12.7 \pm 0.3$ | $16.0 \pm 1.5$  | $16.0^{+1.0}_{-0.5}$ |
| 1WS  | $18.0^{+1.0}_{-0.5}$ | $3.85 \pm 0.5$ | $5.0 \pm 0.5$ | $12.7 \pm 0.5$ | $12.7 \pm 0.3$ | $16.0 \pm 1.5$  | $16.0^{+1.0}_{-0.5}$ |
| 1W   | $18.0^{+1.0}_{-0.5}$ | $3.85 \pm 0.5$ | $5.0 \pm 0.5$ | $12.7 \pm 0.5$ | $12.7 \pm 0.3$ | $16.0 \pm 1.5$  | $16.0^{+1.0}_{-0.5}$ |
| 2WS  | $18.0^{+1.0}_{-0.5}$ | $3.85 \pm 0.5$ | $5.0 \pm 0.5$ | $12.7 \pm 0.5$ | $12.7 \pm 0.3$ | $16.0 \pm 1.5$  | $16.0^{+1.0}_{-0.5}$ |
| 2W   | $18.0^{+1.0}_{-0.5}$ | $3.85 \pm 0.5$ | $5.0 \pm 0.5$ | $12.7 \pm 0.5$ | $12.7 \pm 0.5$ | $21.5^0_{-2.0}$ | $16.0^{+1.0}_{-0.5}$ |
| 3WS  | $18.0^{+1.0}_{-0.5}$ | $3.85 \pm 0.5$ | $5.0 \pm 0.5$ | $12.7 \pm 0.5$ | $12.7 \pm 0.5$ | $21.5^0_{-2.0}$ | $16.0^{+1.0}_{-0.5}$ |

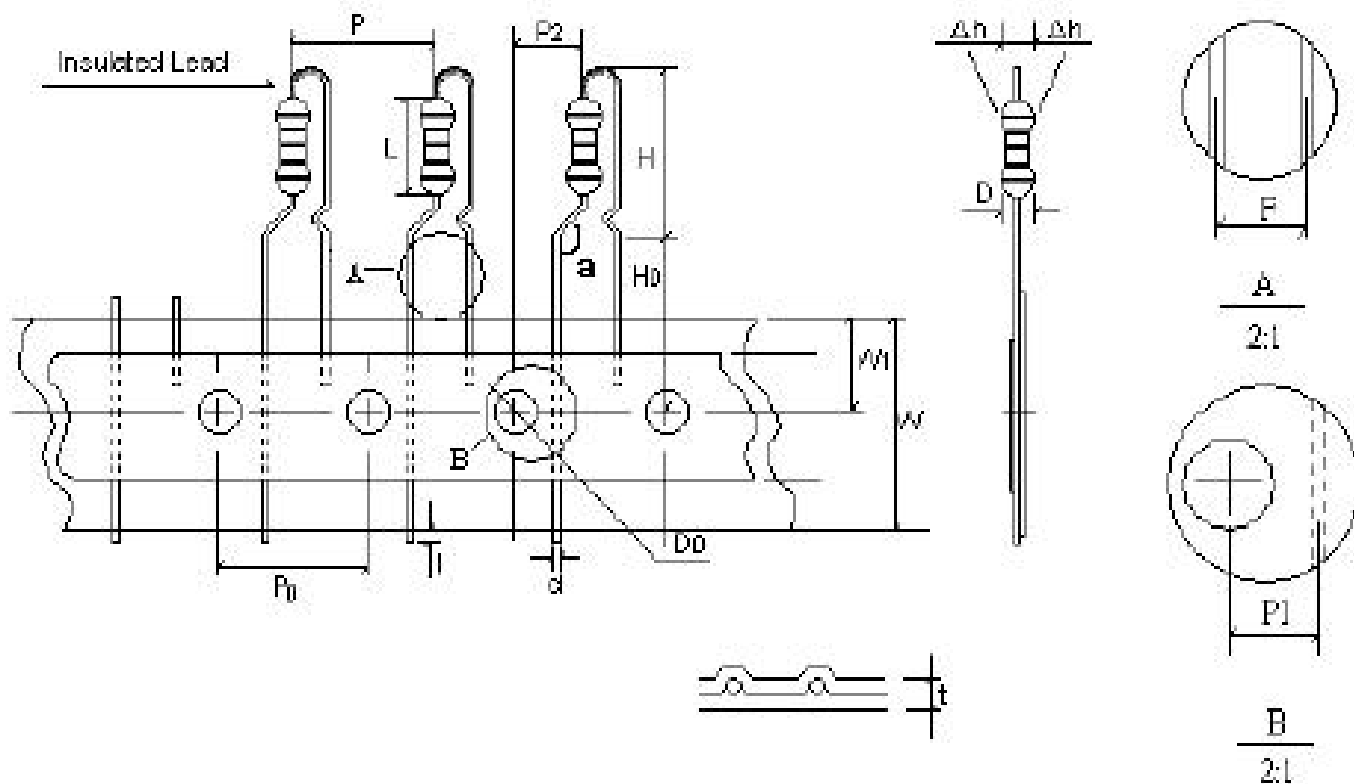


# RN 高压电阻器

## High Voltage Resistor

### 5.4 FK2 内弯型, (1/2W、1WS、1W、2WS、3W 功率电阻)

注: 引线需涂脚漆的下单需备注说明, 否则默认为不涂装脚漆。



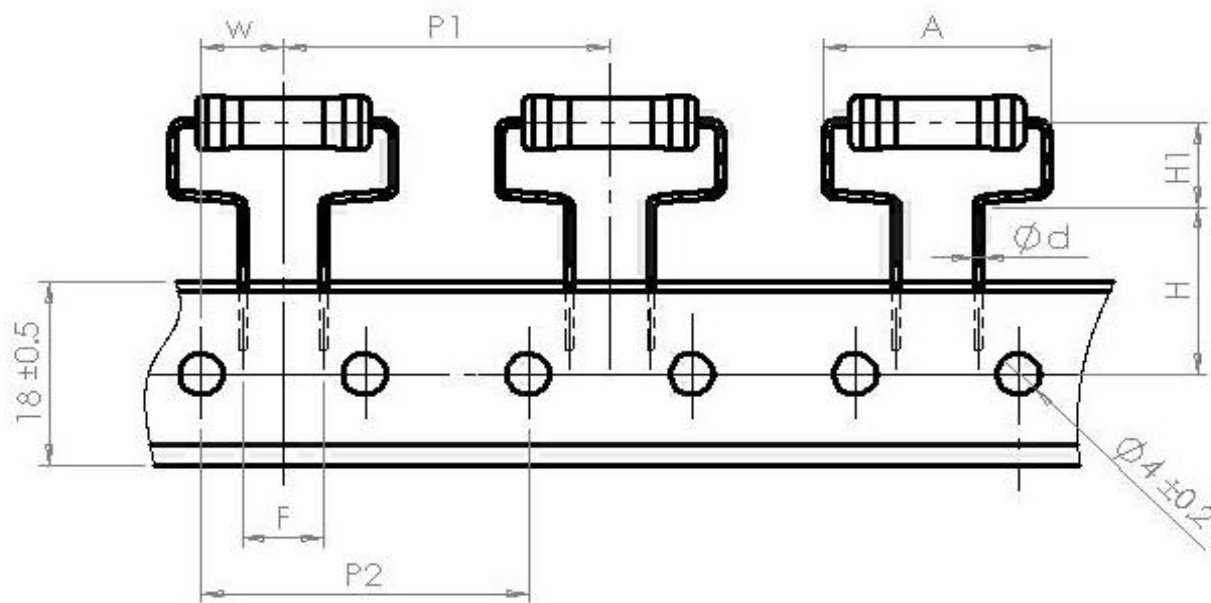
| 规格   | 尺寸 (mm)                              |      |      |       |       |       |                                   |                                      |
|------|--------------------------------------|------|------|-------|-------|-------|-----------------------------------|--------------------------------------|
|      | W                                    | DO   | F    | P     | PO    | P1    | H                                 | HO                                   |
| 1/2W | 18.0 <sup>+1.0</sup> <sub>-0.5</sub> | 4.0± | 5.0± | 12.7± | 12.7± | 3.85± | 16.0±                             | 16.0 <sup>+1.0</sup> <sub>-0.5</sub> |
|      |                                      | 0.3  | 0.5  | 0.5   | 0.3   | 0.7   | 1.5                               |                                      |
| 1WS  | 18.0 <sup>+1.0</sup> <sub>-0.5</sub> | 4.0± | 5.0± | 12.7± | 12.7± | 3.85± | 16.0±                             | 16.0 <sup>+1.0</sup> <sub>-0.5</sub> |
|      |                                      | 0.3  | 0.5  | 0.5   | 0.3   | 0.7   | 1.5                               |                                      |
| 1W   | 18.0 <sup>+1.0</sup> <sub>-0.5</sub> | 4.0± | 5.0± | 12.7± | 12.7± | 3.85± | 16.0±                             | 16.0 <sup>+1.0</sup> <sub>-0.5</sub> |
|      |                                      | 0.3  | 0.5  | 0.5   | 0.3   | 0.7   | 1.5                               |                                      |
| 2WS  | 18.0 <sup>+1.0</sup> <sub>-0.5</sub> | 4.0± | 5.0± | 12.7± | 12.7± | 3.85± | 16.0±                             | 16.0 <sup>+1.0</sup> <sub>-0.5</sub> |
|      |                                      | 0.3  | 0.5  | 0.5   | 0.3   | 0.7   | 1.5                               |                                      |
| 2W   | 18.0 <sup>+1.0</sup> <sub>-0.5</sub> | 4.0± | 5.0± | 12.7± | 12.7± | 3.85± | 21.5 <sup>0</sup> <sub>-2.0</sub> | 16.0 <sup>+1.0</sup> <sub>-0.5</sub> |
|      |                                      | 0.3  | 0.5  | 0.5   | 0.5   | 0.7   |                                   |                                      |
| 3WS  | 18.0 <sup>+1.0</sup> <sub>-0.5</sub> | 4.0± | 5.0± | 12.7± | 12.7± | 3.85± | 21.5 <sup>0</sup> <sub>-2.0</sub> | 16.0 <sup>+1.0</sup> <sub>-0.5</sub> |
|      |                                      | 0.3  | 0.5  | 0.5   | 0.5   | 0.7   |                                   |                                      |



# RN 高压电阻器

## High Voltage Resistor

5.5 MT 型卧式编带，适用余 2W、3W 功率

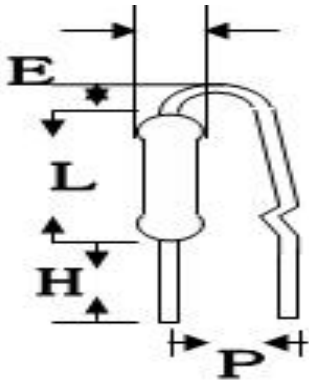


| 功率 | F        | W       | P1       | P2       | H    | H1      | AMax |
|----|----------|---------|----------|----------|------|---------|------|
| 2W | 5.0±1.0  | 6.5±1.0 | 25.4±1.0 | 25.4±1.0 | 18±1 | 8.0±1.5 | 21   |
| 3W | 10.0±1.0 | 7.5±1.0 | 30±1.0   | 30±0.5   | 17±1 | 8.0±1.5 | 21   |

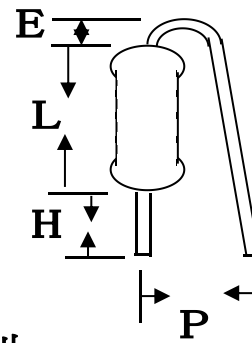


# RN 高压电阻器

## High Voltage Resistor



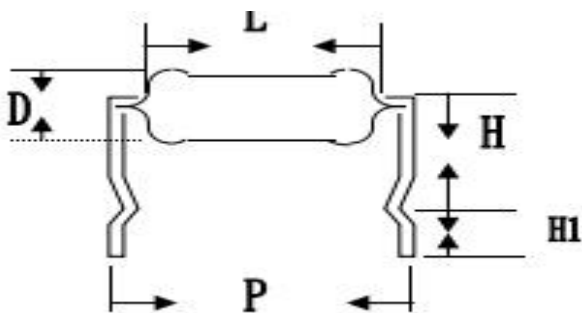
**FK2 型**



**F 型**

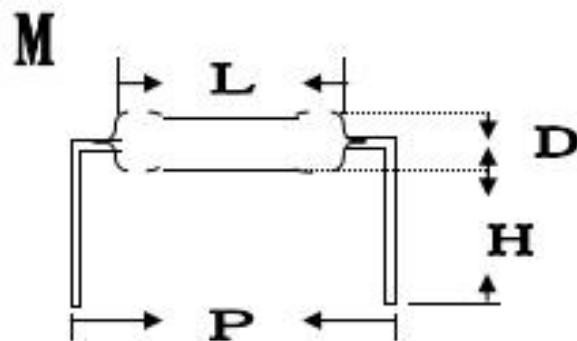
| 瓦特数<br>Watts | 尺寸 Dimensions (mm) |          |         |       |       |
|--------------|--------------------|----------|---------|-------|-------|
|              | ΦD                 | L        | P       | E Max | H Max |
| 1/2w,1ws     | 3.2±0.5            | 9.0±1.0  | 6.0±2.0 | 3.5   | 5.0   |
| 1w,2ws       | 4.5±1.0            | 11.5±1.0 | 9.0±2.0 | 3.5   | 5.0   |
| 2w,3ws       | 5.0±1.0            | 15.5±1.0 | 9.0±2.0 | 3.5   | 5.0   |
| 3w           | 6.0±1.0            | 17.5±1.0 | 9.0±2.0 | 3.5   | 5.0   |

| 瓦特数<br>Watts | 尺寸 Dimensions (mm) |          |         |       |       |
|--------------|--------------------|----------|---------|-------|-------|
|              | ΦD                 | L        | P       | E Max | H Max |
| 1/2w,1ws     | 3.2±0.5            | 9.0±1.0  | 6.0±2.0 | 3.5   | 5.0   |
| 1w,2ws       | 4.5±1.0            | 11.5±1.0 | 9.0±2.0 | 3.5   | 5.0   |
| 2w,3ws       | 5.0±1.0            | 15.5±1.0 | 9.0±2.0 | 3.5   | 5.0   |
| 3w           | 6.0±1.0            | 17.5±1.0 | 9.0±2.0 | 3.5   | 5.0   |



**MK 型**

| 瓦特数<br>Watts | 尺寸 Dimensions (mm) |          |          |       |         |
|--------------|--------------------|----------|----------|-------|---------|
|              | D                  | L        | P        | H MAX | H1      |
| 1/2w,1ws     | 3.2±0.5            | 9.0±1.0  | 12.5±1.5 | 10.0  | 4.0±0.5 |
| 1w,2ws       | 4.5±1.0            | 11.5±1.0 | 15±1.5   | 10.0  | 4.0±0.5 |
| 2w,3ws       | 5.0±1.0            | 15.5±1.5 | 20±2.0   | 10.0  | 4.0±0.5 |
| 3W5WS        | 6.0±1.0            | 17.5±1.5 | 25±2.0   | 10.0  | 4.0±0.5 |



**M 型**

| 瓦特数<br>Watts | 尺寸 Dimensions (mm) |          |          |       |         |
|--------------|--------------------|----------|----------|-------|---------|
|              | D                  | L        | P        | H MAX | H1      |
| 1/2w,1ws     | 3.2±0.5            | 9.0±1.0  | 12.5±1.5 | 10.0  | 4.0±0.5 |
| 1w,2ws       | 4.5±1.0            | 11.5±1.0 | 15±1.5   | 10.0  | 4.0±0.5 |
| 2w,3ws       | 5.0±1.0            | 15.5±1.5 | 20±2.0   | 10.0  | 4.0±0.5 |
| 3W5WS        | 6.0±1.0            | 17.5±1.5 | 25±2.0   | 10.0  | 4.0±0.5 |

## X-ON Electronics

Largest Supplier of Electrical and Electronic Components

*Click to view similar products for [Thick Film Resistors - Through Hole](#) category:*

*Click to view products by [Huaxing](#) manufacturer:*

Other Similar products are found below :

[M8340104K3300GCD03](#) [M8340105K3300GGD03](#) [M8340105K3922FGD03](#) [M8340107K2401GCD03](#) [M8340109K1002JCD03](#)

[M8340109K1003GCD03](#) [MP850-3.00-1%](#) [ARC3.11 2M J A](#) [M8340105K1003GCD03](#) [M8340105M2201GCD03](#) [M8340107M7501GCD03](#)

[M8340108K2051FCD03](#) [M8340108K7501GCD03](#) [M8340108M5100JGD03](#) [M8340109K1000GCD03](#) [MOX-GRD-001](#)

[M8340102M4701GBD04](#) [M8340102K1002GBD04](#) [M8340109K2002GGD03](#) [M8340108K2002FGD03](#) [OE1305](#) [MS-221-82R5](#) [MOX-](#)

[750231004DE](#) [MOX-4-127505J](#) [SM102034504FE](#) [MOX300002206FE](#) [MOX-400233004F](#) [MOX300001005BE](#) [SM104066008J](#) [MOX-](#)

[400262008PE](#) [MOX-400232506FE](#) [MOX-400234007FE](#) [MOX-400221006G](#) [MOX-750235006ME](#) [SM103032506FE](#) [SM202022005FE](#)

[MOX1125231002FE](#) [MOX-1-122504F](#) [MOX-400225003F](#) [MOX1125731008FE](#) [MOX-5-126002JE](#) [MS176-2.20M-1%](#) [MOX-830212453BE](#)

[TRHE01A270RJ2E](#) [TRHE01A560RJ2E](#) [TRHP01A200RF2E](#) [TRHP01A5001F2E](#) [MG715-2.40M-1%](#) [MS214-20.0K-1%](#) [MF0W4FF4702A50](#)