

A.C. Toggle Switches Industrial/Institutional – Heavy Duty 15, 20 and 30 Ampere

Grounding Terminal Allows Compliance to the
1993 National Electrical Code Article 380-12

HUBBELL

New
Improved!



Grounding Terminal Provided



Available in Locking, 3-Position Maintained/Momentary, Pilot and Lighted Versions.

This new redesigned line of A.C. toggle switches offers a grounding terminal as standard throughout the product line. The 1993 National Electrical Code article 380-12 requires switches

to have a grounding terminal when used with a nonmetallic box that is provided with a grounding means and used with metal or nonmetallic wall plates.

Features

- Nylon toggle
- Automatic stainless steel grounding clip
- Grounding terminal provided
- Silver cadmium oxide contacts
- One piece rivetless spring contact arm and terminal plate
- Nickel plated steel mounting strap

Benefits

- Resists abuse and chemical attack.
- Assures grounding continuity between mounting strap and metal wall box.
- Allows compliance to NEC Article 380-12.
- Reduces contact erosion and prevents welding, providing long life.
- Assures proper contact alignment, reducing heat rise.
- Provides a corrosion resistant finish.

Hubbell Incorporated Wiring Device Division is a registered ISO 9002 Company.

Ordering Information – A.C. Toggle Switches

Description	Catalog Numbers				Three Position, Two Circuit, Center Off		
	Single Pole	Double Pole	Three Way	Four Way	Maintained Contact Double Pole Double Throw	Single Pole Double Throw	Momentary Contact Single Pole Double Throw

15 Ampere 120-277V A.C.

Ivory handle	HBL1201I	HBL1202I	HBL1203I	HBL1204I	HBL1382I	HBL1381I	HBL1556I
Brown handle	HBL1201*	HBL1202	HBL1203	HBL1204	HBL1382	HBL1381	HBL1556
Gray handle	HBL1201GY		HBL1203GY	HBL1204GY		HBL1556GY	
Lock type	HBL1201L	HBL1202L	HBL1203L	HBL1204L		HBL1556L	
Pilot light red 120V A.C.	HBL1201PL		1203PL†				
Lighted, ivory 120-277V A.C.	HBL1201IL		HBL1203IL				

20 Ampere 120-277V A.C.

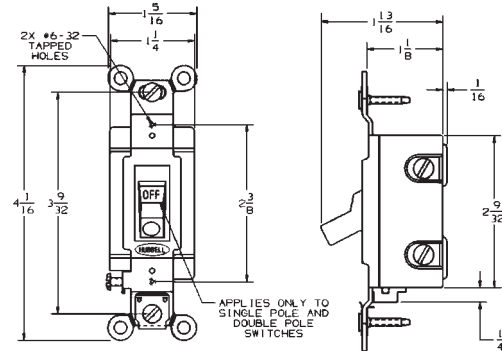
Ivory handle	HBL1221I	HBL1222I	HBL1223I	HBL1224I	HBL1386I	HBL1385I	HBL1557I
Brown handle	HBL1221	HBL1222	HBL1223	HBL1224	HBL1386	HBL1385	HBL1557
Gray handle	HBL1221GY		HBL1223GY		HBL1224GY		HBL1557GY
White handle	HBL1221W	HBL1222W	HBL1223W	HBL1224W		HBL1385W	HBL1557W
Red handle	HBL1221R	HBL1222R	HBL1223R	HBL1224R			
Black handle	HBL1221BK		HBL1223BK	HBL1224BK			
Lock type	HBL1221L	HBL1222L	HBL1223L	HBL1224L		HBL1386L	HBL1557L

Pilot Light (on with load on)

Pilot handle red, 120V A.C.	HBL1221PL	HBL1222PL	1223PL†	
Pilot light green, 120V A.C.	HBL1221PLG		1223PLG†	
Pilot light clear, 120V A.C.	HBL1221PLC		1223PLC†	
Pilot light red, 277V A.C.	HBL1221PL7**	HBL1222PL7	HBL1223PL7†	

Lighted (on with load off)

Lighted, ivory 120 - 277V A.C.	HBL1221IL		HBL1223IL	
Lighted, clear 120 - 277V A.C.	HBL1221ILC		HBL1223ILC	



1P, 2P, 3W, 4W Switches

30 Ampere 120-277V A.C.

Brown handle	HBL3031	HBL3032	HBL3033	HBL1388
Ivory handle	HBL3031I	HBL3032I	HBL3033I	HBL1388I
Pilot light red handle, 120V A.C.	HBL3031PL	HBL3032PL		

* Add R for red handle, W for white handle

** Add suffix C for clear handle, e.g., HBL1221PLC7

† HBL version available 2nd quarter '94

Specification Data

Materials	Material
Component	
Base	Thermoset Color Coded
Top	Thermoset, Gray
Toggle	Nylon†
Terminals	Brass
Terminal Screws	Brass
Mounting Bridge	Nickel Plated Steel
Contacts	Silver Cadmium Oxide
Moveable Contact Arm	Brass
Rocker	Neoprene
Ground Terminal	Nickel Plated Steel
Ground Screw	Brass
Automatic Grounding Clip	Stainless Steel

† Polycarbonate toggle on clear, green and red pilot light and lighted handles

Performance Data

Electrical	
Dielectric Voltage Withstand	1500V minimum
Max. Working Voltage	277V A.C.
Overload	Minimum 4.8 times rated current for 100 cycles
Temperature Rise	30°C maximum at rated current
Max. Continuous Current	15A, 20A, 30A
Endurance	50,000 cycles min., Tungsten Filament lamp load (Fed. Spec.) #WS896E

Mechanical

Terminal Accommodations #14 AWG min. - #10 AWG max.

Environmental

Flammability	UL 94 V2
Operating Temperature	Max. Continuous: 115° Min. Continuous: -40°C w/o impact



Wiring Device - Kellems

Hubbell Incorporated (Delaware) • 185 Plains Road • Milford, CT 06460-2420 • (203) 882-4800 • FAX (800) 255-1031
World Wide Web URL: <http://www.hubbell-wiring.com>

Worldwide Locations

Hubbell Canada (905) 839-1138, Fax (905) 839-9108
Hubbell Ltd. England (441) 234-855444, Fax (441) 234-854008
Hubbell-Taian Co., Ltd., (886) 2 567-5995, Fax (886) 2 567-4853
Hubbell Int'l. Inc., Korea Branch (82) 2 607-1362, Fax (82) 2 603-7386

Hubbell de Mexico, S.A. de C.V. (52) 5 575-2022, Fax (52) 5 559-8626
Caribe Sales Agencies, Puerto Rico (809) 720-7185, Fax (809) 789-2796
Hubbell S.E. Asia Pte., Ltd., (65) 382-1600, Fax (65) 382-3727
Hubbell Inc. Middle East (971) 4 369-763, Fax (971) 4 360-541

® Registered trademark of Hubbell Incorporated
™ Trademark of Hubbell Incorporated

H4451 Printed in U.S.A. Copyright 1993, Hubbell Incorporated
Specifications Subject To Change Without Notice.

X-ON Electronics

Largest Supplier of Electrical and Electronic Components

Click to view similar products for [hubbell](#) manufacturer:

Other Similar products are found below :

[CFB7TALU](#) [03301045](#) [02216024](#) [03301047](#) [5369VY](#) [5461](#) [WSS1P](#) [00322005LPK50](#) [01304055](#) [M001SG000](#) [M001SG00P](#) [M11MSP](#)
[01301013](#) [02201005](#) [02202008](#) [02203007](#) [02203064](#) [02206012](#) [02211003](#) [02211019](#) [02402005](#) [02406006](#) [02407008](#) [CS1223GY](#) [CS6370](#)
[CS8375L](#) [7310](#) [MCMA14110](#) [7485VBLK](#) [7585](#) [7716](#) [7967](#) [FF3I](#) [PF2004PA005](#) [PFOLT312](#) [PH2003PA010](#) [PH2304PB050](#) [PH6598W](#)
[9308](#) [GFP2305](#) [GFR5352IA](#) [GFR5362WTR](#) [GFR8300SNAPBKNA](#) [PM3004PA015](#) [PT2X2FIT](#) [HBL13R12D](#) [HBL16LEDR](#)
[HBL18201WCN](#) [HBL20GBA612IV](#) [HBL20IG606GY](#)