



Valise® Plugs and Connector Bodies

A Configuration for Every
OEM and Contractor Need

HUBBELL



World Wide Web URL: <http://www.hubbell-wiring.com>



Wiring Device-Kellems

Valise Plugs and Connector Bodies

Have it all with the Valise line of plugs and connector bodies from Hubbell, Inc. With Valise devices, OEMs and contractors will get the speed, ease and economy they want while being able to offer their customers and end-users excellence in performance, durability and reliability.

Unique Design

Valise devices offer superior cord gripping, strain relief and abuse-resistance. The unique Valise design was developed by Hubbell to speed wiring and simplify assembly of plugs and connector bodies.

Full Line

Hubbell now offers a full line of Valise devices – meaning there's an exact configuration, rating, size, feature, color and accessory combination that's ideal for your application. And every Valise device is UL and CSA listed, and meets NEC dead-front requirements.

Superior Performance


The way these devices are designed makes wiring and assembly a breeze; the way they're built assures superior performance and durability, even in demanding applications. Valise plugs and connector bodies from Hubbell: an open and shut case for speed, ease and performance every time.




Virtually all commercial equipment applications




Medical areas where space is at a premium



Large to small office equipment



Ideal for theatrical applications



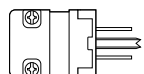
Specifications meet I.E.C. applications for electronics



With Valise Plugs and Connector Bodies, Speed and Economy Go Hand-in-Hand With Superior Performance



Straight Blade Valise Plugs and Connector Bodies

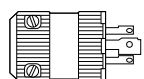


Hubbell Valise plugs go together in seconds but stay together securely for reliable long-term operation. Eight load-bearing, locking lugs in the impact- and crush-resistant nylon body assure a positive grip. Devices feature patented “wire bundling” terminals that are easy to wire and provide positive, reliable terminations.

See pages 3 and 4



Valise Twist-Lock® Plugs and Connector Bodies

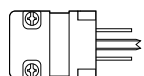


Get all the outstanding features of Hubbell's Valise line plus the security of locking configurations. Valise Twist-Lock devices assure a secure connection for uninterrupted power together with the same fast wiring and positive cord gripping found in every Valise device. The line includes 15, 20, and 30 amp devices in 3-wire NEMA configurations.

See pages 5 and 6



Insulation Displacement Valise Plugs and Connector Bodies

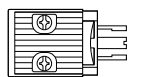


Save time, save labor: Hubbell's straight blade Valise insulation displacement plug is provided in an open position that's ready for wiring. Cord preparation is simplified because only the outer jacket needs to be cut back—there's no need to strip insulation from the individual conductors.

See page 7



Midget Valise Twist-Lock® Plugs and Connector Bodies

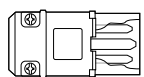


Small in size, but big in features: that's Midget Twist-Lock Valise. Unique two-screw design allows Midget Twist-Lock Valise plugs to go together in seconds. Insulation displacement feature means terminations are made automatically when the device is closed. Screw terminals are also available for these compact 15 amp devices.

See page 8



IEC Valise Connector Bodies and Panel Mount Inlets



Hubbell's IEC Valise connector bodies are ideal for any electrical equipment sold in domestic and export markets. Built to IEC 320 specifications, these connector bodies are built of high-impact thermoplastic and feature binding screw terminals with a “wire bundling” feature for reliable electrical connections.

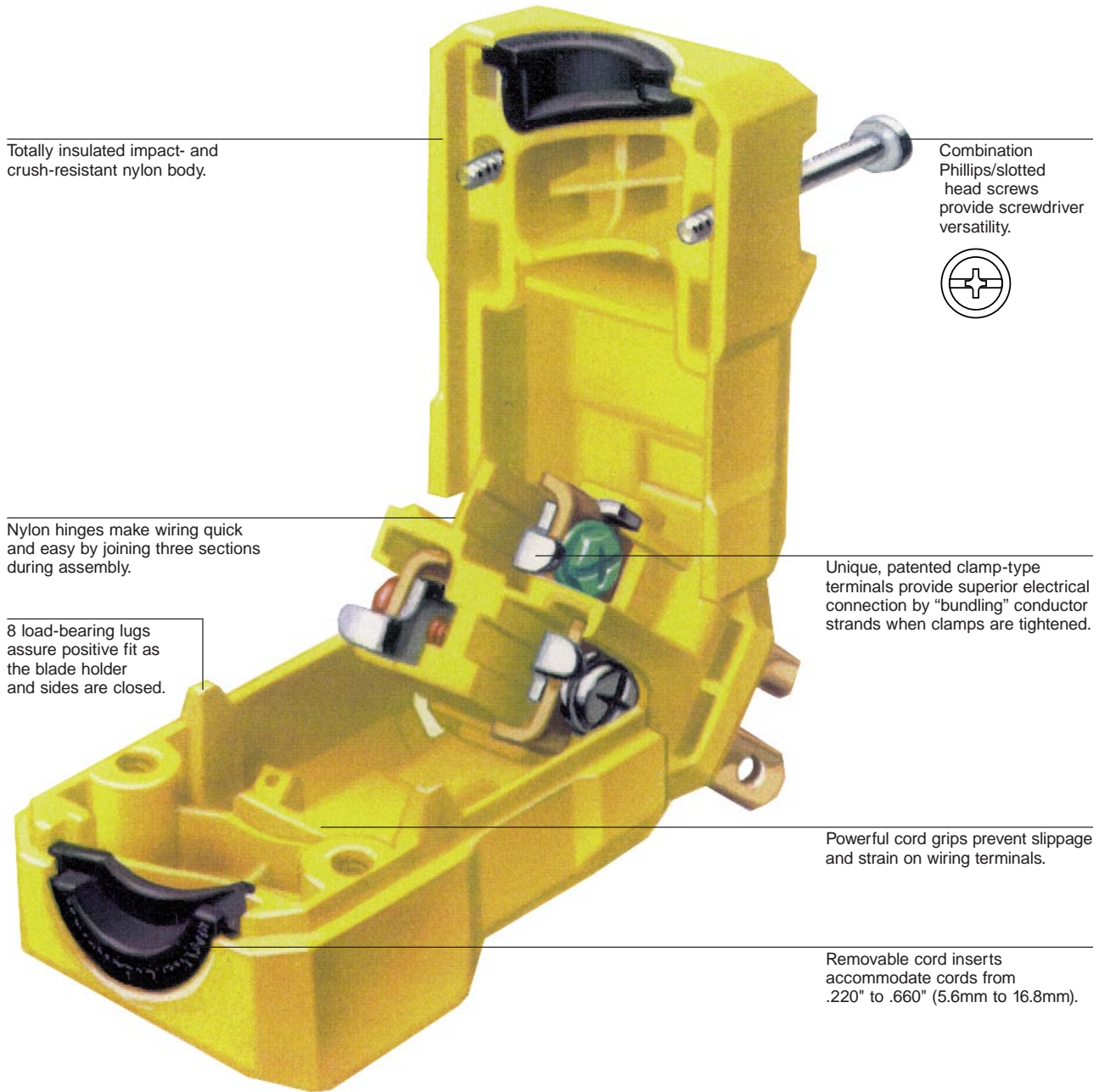
See page 9

Accessories and Technical Information

See page 10 and back cover

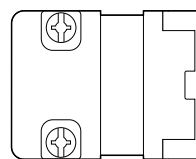
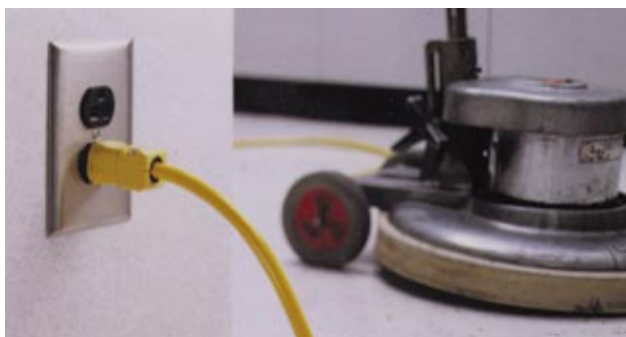


Straight Blade Valise Plugs and Connector Bodies



* Robertson/slotted drive screws available on certain configurations and are indicated with "CN" suffixes in the catalog.





Hubbell straight blade Valise plugs and connector bodies are ideal for OEMs because their superior performance will help your own products perform better. Valise devices are designed to be easy to wire and quick to assemble. Yet, they provide superior cord gripping, impact- and crush-resistance, and a totally insulated body for added safety.

Plugs

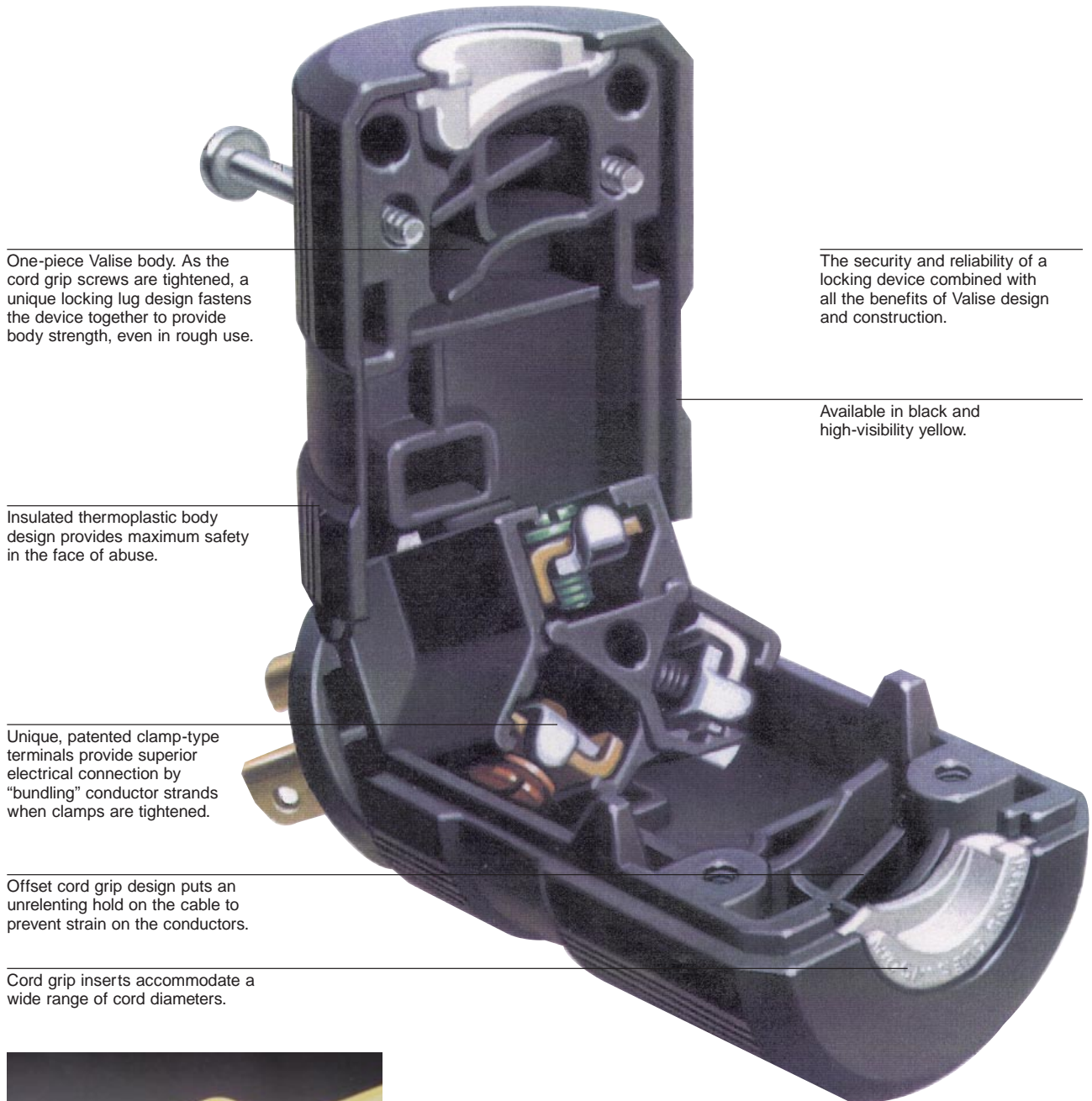
Description	NEMA Config.	Rating	Catalog Number
2 Pole, 2 Wire Non-Grounding			
Plug, Yellow, Non-Polarized	1-15P	15A 125V	HBL5865VY
Plug, Yellow, Robertson Drive, Non-Polarized	1-15P	15A 125V	HBL5865VYCN
Plug, Yellow, Polarized	1-15P	15A 125V	HBL5866VY
Plug, Yellow, Robertson Drive, Polarized	1-15P	15A 125V	HBL5866VYCN
2 Pole, 3 Wire Grounding			
Plug, Yellow	5-15P	15A 125V	HBL5965VY
Plug, Yellow, Robertson Drive	5-15P	15A 125V	HBL5965VYCN
Plug, Yellow, Robertson Drive, Bulk Pkg.	5-15P	15A 125V	HBL5965VYCNB
Plug, Yellow, Bulk Pkg.	5-15P	15A 125V	HBL5965VYB
Plug, Gray	5-15P	15A 125V	HBL5965VGY
Plug, Black	5-15P	15A 125V	HBL5965VBK
Plug, Black, Bulk Pkg.	5-15P	15A 125V	HBL5965VBKB
Plug, Black, Robertson Drive, Bulk Pkg.	5-15P	15A 125V	HBL5965VBKCNB
Plug, Black, Robertson Drive	5-15P	15A 125V	HBL5965VBKCN
Plug, Yellow	5-20P	20A 125V	HBL5364VY
Plug, Yellow, Bulk Pkg.	5-20P	20A 125V	HBL5364VYB
Plug, Yellow, Robertson Drive	5-20P	20A 125V	HBL5364VYCN
Plug, Black	5-20P	20A 125V	HBL5364VBK
Plug, Black, Bulk Pkg.	5-20P	20A 125V	HBL5364VBKB
Plug, Yellow	6-15P	15A 250V	HBL5666VY
Plug, Yellow, Robertson Drive	6-15P	15A 250V	HBL5666VYCN
Plug, Yellow	6-20P	20A 250V	HBL5464VY
Plug, Yellow, Robertson Drive	6-20P	20A 250V	HBL5464VYCN
2 Pole, 3 Wire Grounding – Hospital Grade			
Plug, White	5-15P	15A 125V	HBL8115V
Plug, White, Bulk Pkg.	5-15P	15A 125V	HBL8115VB
Plug, White, Robertson Drive	5-15P	15A 125V	HBL8115VCN
Plug, White	5-20P	20A 125V	HBL8364V
Plug, White	6-20P	20A 250V	HBL8464V
Plug, White	6-15P	15A 250V	HBL8666V

Connector Bodies

Description	NEMA Config.	Rating	Catalog Number
2 Pole, 2 Wire Non-Grounding			
Connector Body, Yellow,	1-15R	15A 125V	HBL5869VY
Connector Body, Yellow, Robertson Drive	1-15R	15A 125V	HBL5869VYCN
–	–	–	–
–	–	–	–
2 Pole, 3 Wire Grounding			
Connector Body, Yellow	5-15R	15A 125V	HBL5969VY
Connector Body, Yellow, Robertson Drive	5-15R	15A 125V	HBL5969VYCN
Connector Body, Yellow, Robertson Drive, Bulk Pkg.	5-15R	15A 125V	HBL5969VYCNB
Connector Body, Yellow, Bulk Pkg.	5-15R	15A 125V	HBL5969VYB
Connector Body, Gray	5-15R	15A 125V	HBL5969VGY
Connector Body, Yellow, Bulk Pkg.	5-15R	15A 125V	HBL5969VBK
Connector Body, Yellow	5-15R	15A 125V	HBL5969VBKB
Connector Body, Yellow, Robertson Drive, Bulk Pkg.	5-15R	15A 125V	HBL5969VBKCNB
Connector Body, Black, Robertson Drive	5-15R	15A 125V	HBL5969VBKCN
Connector Body, Yellow	5-20R	20A 125V	HBL5369VY
Connector Body, Yellow, Bulk Pkg.	5-20R	20A 125V	HBL5369VYB
Connector Body, Yellow, Robertson Drive	5-20R	20A 125V	HBL5369VYCN
Connector Body, Black	5-20R	20A 125V	HBL5369VBK
Connector Body, Black, Bulk Pkg.	5-20R	20A 125V	HBL5369VBKB
Connector Body, Yellow	6-15R	15A 250V	HBL5669VY
Connector Body, Yellow, Robertson Drive	6-15R	15A 250V	HBL5669VYCN
Connector Body, Yellow	6-20R	20A 250V	HBL5469VY
Connector Body, Yellow, Robertson Drive	6-20R	20A 250V	HBL5469VYCN
2 Pole, 3 Wire Grounding – Hospital Grade			
Connector Body, White	5-15R	15A 125V	HBL8119V
Connector Body, White, Bulk Pkg.	5-15R	15A 125V	HBL8119VB
Connector Body, White, Robertson Drive	5-15R	15A 125V	HBL8119VCN
–	–	–	–
Connector Body, White	6-20P	20A 250V	HBL8469V
–	–	–	–



Valise Twist-Lock® Plugs and Connector Bodies



One-piece Valise body. As the cord grip screws are tightened, a unique locking lug design fastens the device together to provide body strength, even in rough use.

The security and reliability of a locking device combined with all the benefits of Valise design and construction.

Available in black and high-visibility yellow.

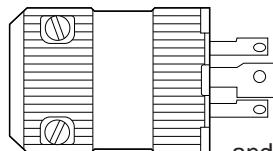
Insulated thermoplastic body design provides maximum safety in the face of abuse.

Unique, patented clamp-type terminals provide superior electrical connection by "bundling" conductor strands when clamps are tightened.

Offset cord grip design puts an unrelenting hold on the cable to prevent strain on the conductors.

Cord grip inserts accommodate a wide range of cord diameters.





Wire the terminals, fold the Valise shut and tighten two captive assembly screws. That's the beauty of Valise Twist-Lock plugs: the speed and ease of Valise design and the security of a locking configuration for uninterrupted power. It's not only economical to wire these devices, they're economical to buy. Plus, black and high-visibility yellow color choices make them ideal for use in industrial, entertainment and construction applications. Textured surface emphasizes tough, industrial design.

Plugs

Description	NEMA Config.	Rating	Catalog Number
15 Amp, 2 Pole, 3 Wire Grounding			
Plug, Black	L5-15P	15A 125V	HBL4723VBK
Plug, Yellow	L5-15P	15A 125V	4723VY
Plug, Yellow, Robertson Drive	L5-15P	15A 125V	4723VYCN
Plug, Black, Robertson Drive	L5-15P	15A 125V	HBL4723VBKCN
Plug, Black	L6-15P	15A 250V	HBL4573VBK
Plug, Yellow	L6-15P	15A 250V	4573VY
Plug, Black	L7-15P	15A 277V	HBL4773VBK
Plug, Yellow	L7-15P	15A 277V	4773VY
20 Amp, 2 Pole, 3 Wire Grounding			
Plug, Black	L5-20P	20A 125V	HBL2311VBK
Plug, Yellow	L5-20P	20A 125V	2311VY
Plug, Corrosion Resistant Yellow	L5-20P	20A 125V	23CM11V
Plug, Black	L6-20P	20A 250V	HBL2321VBK
Plug, Yellow	L6-20P	20A 250V	2321VY
Plug, Black	L7-20P	20A 277V	HBL2331VBK
Plug, Yellow	L7-20P	20A 277V	2331VY
30 Amp, 2 Pole, 3 Wire Grounding			
Plug, Black	L5-30P	30A 125V	HBL2611VBK
Plug, Yellow	L5-30P	30A 125V	2611VY
Plug, Corrosion Resistant Yellow	L5-30P	30A 125V	26CM11V
Plug, Corrosion Resistant, Black	L5-30P	30A 125V	26CM11VBK
Plug, Black	L6-30P	30A 250V	HBL2621VBK
Plug, Yellow	L6-30P	30A 250V	2621VY

Connector Bodies

Description	NEMA Config.	Rating	Catalog Number
15 Amp, 2 Pole, 3 Wire Grounding			
Connector Body, Black	L5-15R	15A 125V	HBL4729VBK
Connector Body, Yellow	L5-15R	15A 125V	4729VY
-	-	-	-
-	-	-	-
Connector Body, Black	L6-15R	15A 250V	HBL4579VBK
Connector Body, Yellow	L6-15R	15A 250V	4579VY
Connector Body, Black	L7-15R	15A 277V	HBL4779VBK
Connector Body, Yellow	L7-15R	15A 277V	4779VY
20 Amp, 2 Pole, 3 Wire Grounding			
Connector Body, Black	L5-20R	20A 125V	HBL2313VBK
Connector Body, Yellow	L5-20R	20A 125V	2313VY
-	-	-	-
Connector Body, Black	L6-20R	20A 250V	HBL2323VBK
Connector Body, Yellow	L6-20R	20A 250V	2323VY
-	-	-	-
-	-	-	-
30 Amp, 2 Pole, 3 Wire Grounding			
Connector Body, Black	L5-30R	30A 125V	HBL2613VBK
Connector Body, Yellow	L5-30R	30A 125V	2613VY
Connector Body, Corrosion Resistant Yellow	L5-30R	30A 125V	26CM13V
-	-	-	-
Connector Body, Black	L6-30R	30A 250V	HBL2623VBK
Connector Body, Yellow	L6-30R	30A 250V	2623VY



Insulation Displacement Straight Blade Valise Plugs and Connector Bodies

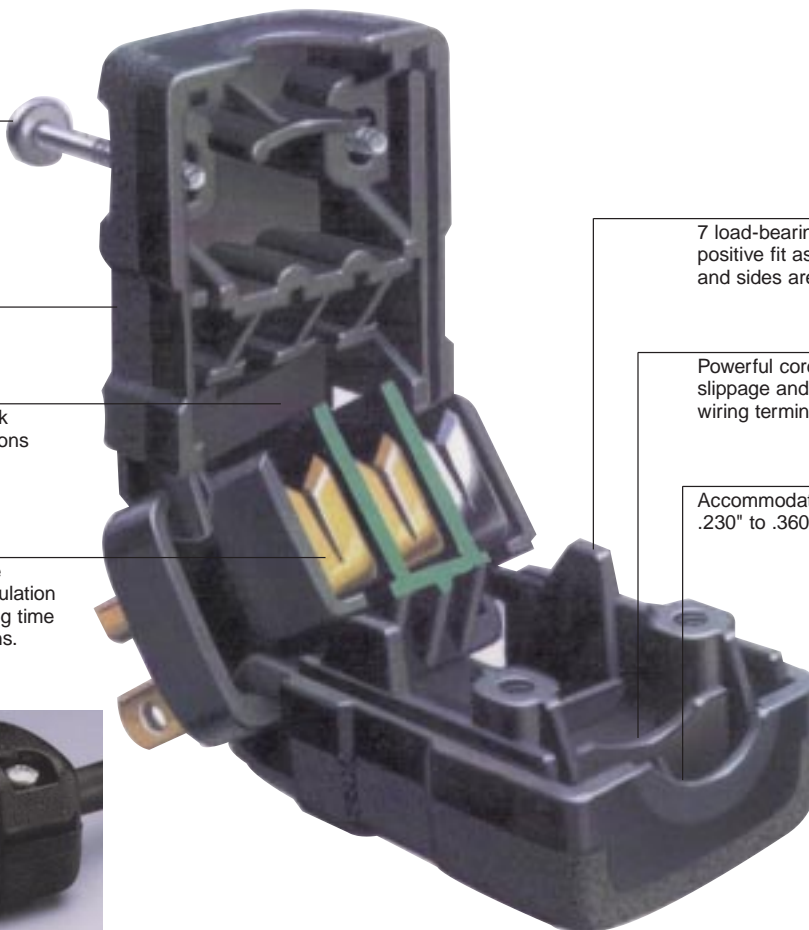
Two captive tri-drive assembly screws accept straight blade, Phillips and Robertson drivers.



Totally insulated impact- and crush-resistant nylon body.

Nylon hinges make wiring quick and easy by joining three sections during assembly.

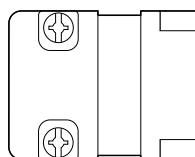
Insulation displacement feature eliminates the need to strip insulation on individual conductors, saving time yet assuring quality terminations.



7 load-bearing lugs assure positive fit as the blade holder and sides are closed.

Powerful cord grips prevent slippage and strain on wiring terminals.

Accommodates cords from .230" to .360" (5.8mm to 9.1mm).



Hubbell's insulation displacement Valise plugs and connector bodies are the right choice for economy, wiring speed and long life. With Valise plugs, assembly time is reduced by 30 to 50 percent because the insulation does not have to be stripped from individual conductors—only the outer jacket needs to be cut back. Yet, these devices deliver all the strength and reliability inherent in Hubbell's Valise design and construction.

Plugs

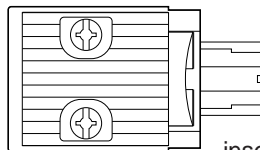
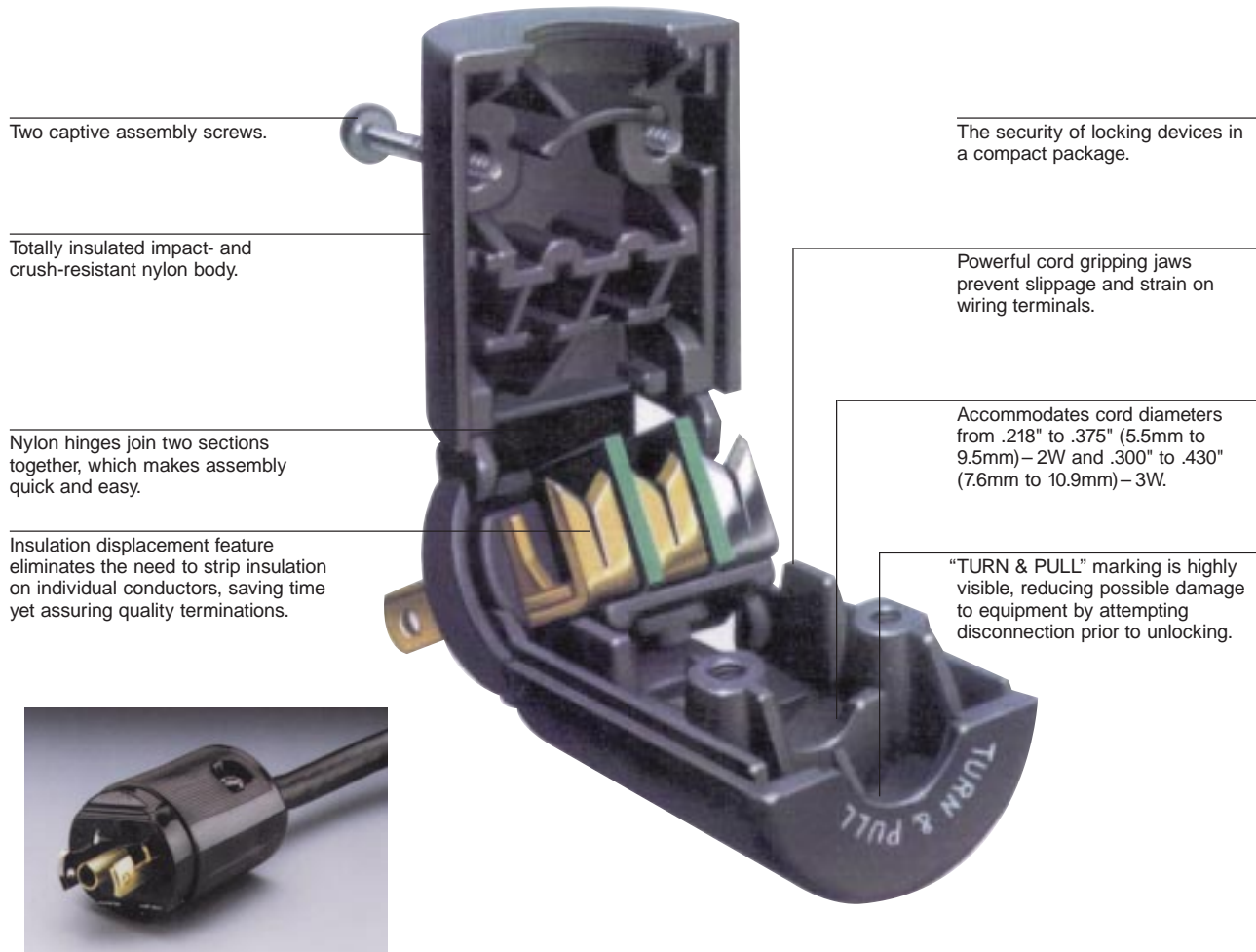
Description	NEMA Config.	Rating	Catalog Number
2 Pole, 3 Wire Grounding			
Plug, Black	5-15P	15A 125V	HBL5966VBK
Plug, Black, Bulk Pkg.	5-15P	15A 125V	HBL5966VBKB
Plug, Yellow	5-15P	15A 125V	HBL5966VY
Plug, Yellow, Bulk Pkg.	5-15P	15A 125V	HBL5966VYB
2 Pole, 3 Wire Grounding—Hospital Grade			
Plug, White	5-15P	15A 125V	HBL8013V
Plug, White, Bulk Pkg.	5-15P	15A 125V	HBL8013VB

Connector Bodies

Description	NEMA Config.	Rating	Catalog Number
2 Pole, 3 Wire Grounding			
Connector Body, Black	5-15R	15A 125V	HBL5963VBK*
Connector Body, Black, Bulk Pkg.	5-15R	15A 125V	HBL5963VBKB*
Connector Body, Yellow	5-15R	15A 125V	HBL5963VY*
Connector Body, Yellow, Bulk Pkg.	5-15R	15A 125V	HBL5963VYB*
2 Pole, 3 Wire Grounding—Hospital Grade			
Connector Body, White	5-15R	15A 125V	HBL8019V*
Connector Body, White, Bulk Pkg.	5-15R	15A 125V	HBL8019VB*



Midget Valise Twist-Lock® Plugs and Connector Bodies



Two-wire Midget Valise Twist-Lock plugs and connector bodies feature bundling terminals that eliminate the need to bend the wire around the terminals – just insert the stripped conductor wire into a clamp-type terminal and tighten. Three-wire models offer built-in insulation displacement terminal compartments, eliminating the need to strip insulation on individual conductors. Accessories include Seal-Tite® boots and inlet closure plug. Devices are also available in angled versions.

Plugs

Description	NEMA Config.	Rating	Catalog Number
2 Pole, 2 Wire Non-Grounding			
Plug, Black	ML-1P	15A 125V	7465V
Plug, Black, Robertson Drive	ML-1P	15A 125V	7465VCN
2 Pole, 3 Wire Grounding			
Insulation Displacement			
Plug, Black	ML-2P	15A 125V	7494V

Connector Bodies

Description	NEMA Config.	Rating	Catalog Number
2 Pole, 2 Wire Non-Grounding			
Connector Body, Black	ML-1R	15A 125A	7464V
Connector Body, Black, Robertson Drive	ML-1R	15A 125A	7464VCN
2 Pole, 3 Wire Grounding			
Insulation Displacement			
Connector Body, Black	ML-2R	15A 125V	7593V



IEC 320 Valise Connector Bodies and Panel Mount Inlets

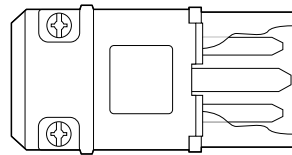
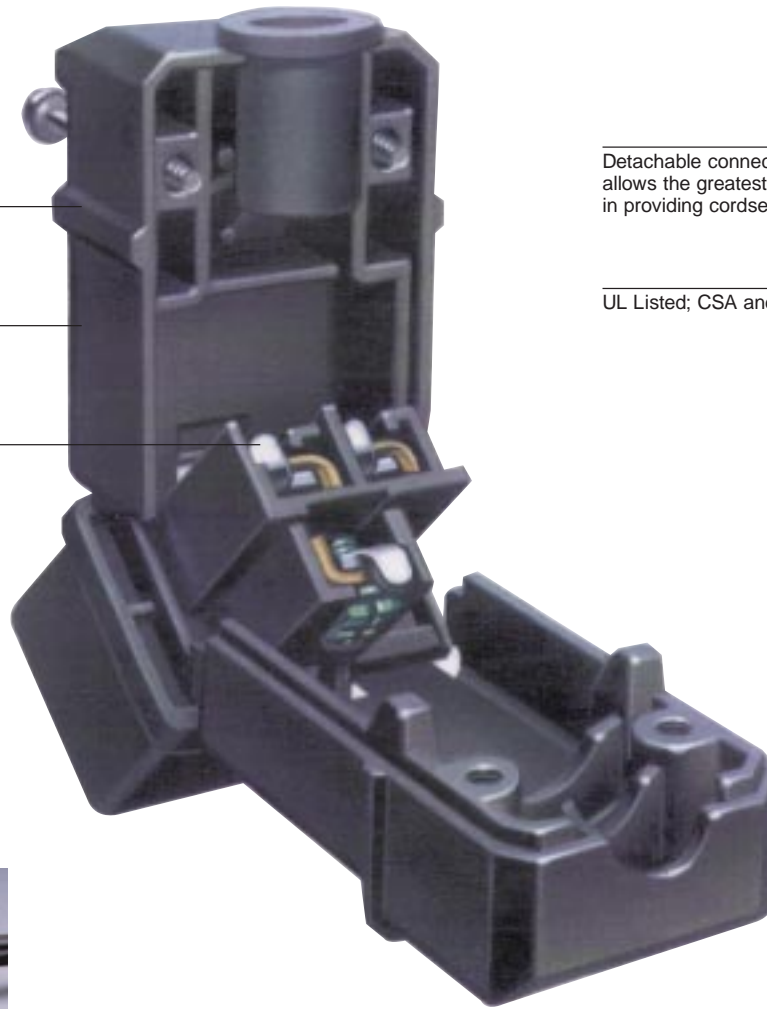
High impact, engineered thermoplastic construction withstands severe abuse.

Black pebbled finished is attractive in any environment.

Binding screw terminals with "wire bundling" feature provide reliable electrical connections.

Detachable connector body allows the greatest flexibility in providing cordsets.

UL Listed; CSA and TUV Certified.



Hubbell IEC 320 panel mount inlets and detachable connector bodies are built to international standards and are approved by all of the proper agencies to speed approval for OEMs. Ideal applications include workstations, desktop publishing systems, CAD/CAM systems, professional sound equipment, medical equipment, industrial lasers, stage and specialty lighting, and cooking equipment.

Plugs and Flanged Inlets

Description	Rating	Catalog Number
2 Pole, 3 Wire Grounding		
Flanged Inlet	20/16A 250V	H320B
Flanged Inlet, w/Retention Clamp	20/16A 250V	H320BL
Plug	20/16A 250V	H320P

Connector Bodies and Receptacles

Description	Rating	Catalog Number
2 Pole, 3 Wire Grounding		
Connector Body	20/16A 250V	H320C
Receptacle	20/16A 250V	H320R



Valise Accessories

PLUGOUT®

Lockout Devices

Description	Catalog Number
Electrical plug lockout devices for 15 Amp molded on plugs.	HLDMP
Electrical plug lockout device for 15-30 Amp wired on plugs.	HLD



Twist-Lock®

Weatherproofing Accessories IP55* Suitability

Description	Catalog Number
Yellow Seal-Tite® elastomer triple-seal cover for use with Valise plugs when used in cord set and Valise connector bodies when used with flanged inlet.	60CM31V*
Yellow Seal-Tite elastomer triple seal cover for use with connector bodies.	60CM31V*

**IP55 Suitability when installed and used properly with plug cover and connector body combination.*



Midget Twist-Lock®

Weatherproofing Accessories

Description	Catalog Number
Seal-Tite® cover, black elastomer, for use with a 7465V when used with a 7464V connector body, or a 7464V connector body when used with a flanged inlet.	7490V*
Seal-Tite cover, black elastomer, for use with a 7464V connector body and combination of 7465V plug and 7490V cover.	7459V*
Closure cover for use with 7466 or 7467. Bead chain is nickel-plated.	4890
Seal-Tite® cover, black elastomer, for use with a 7593V connector body and a combination of 7594V plug and 7495V cover.	7440V*
Closure cover for use with 7595 or 7595N.	4889

**IP55 Suitability when installed and used properly with plug cover and connector body combination.*





Technical Information

Valise Product Specifications

Electrical	
Dielectric Voltage:	2000V Min.
Max. Working Voltage:	250V
Temperature Rise:	30° Max. at Full Rated Current
Current Interrupting:	Certified at Full Rated Current

Mechanical	
Terminal Identification:	Screw color
Cable Grip Accommodation:	Round Cord .220" to .660" (5.6mm to 16.8mm)
Terminal Accommodation:	18/3 thru 12/3
Product Identification:	Molded rating on device face

Environmental	
Operating Temperatures:	Max. continuous 60° C. Min. – 40° C (w/o impact). IP20 Suitability

Materials	
Housing:	Toughened (high-impact) Type 66 Nylon
Blades:	260 Alloy Brass
Contacts:	688 Alloy Brass
Terminal Screw:	Steel
Cable Inserts:	Poly Phenylene Oxide (PPO)
Terminal Clamps:	CR Steel
Body Holding Screw:	Steel

Standards	
NEMA Configuration	
Listed to UL Standard #:	UL498
Certified to CSA Standard #:	CSA C22.2 No. 42
Certified to TUV:	IEC Devices only at 16A 250VAC

Other Information

Screws	
Std St. Blade/Slot/Phillips Combo	
I.D. Sr Blade/Tri-Drive	
Midget TL, ID (CN) Slot/Robertson Combo	
Twist-Lock – Slotted	

Cord Ranges	
3 Wire Std. St. Blade (15 & 20A):	.220" to .660" (5.6mm to 16.8mm) 18/3 12/3
Hospital Grade:	.300" to .660" (7.6mm to 16.8mm)
2 Wire St. Blade (15A):	.218" to .385" (5.5mm to 9.8mm)
St. Blade ID Valise:	.230" to .360" (5.8mm to 9.1mm)
IEC 320 Devices (16/20A):	.325" to .475" (8.26mm to 12mm) 16/3 12/3
2W Midget TL:	.218" to .375" (5.5mm to 9.5mm)
3W Midget TL:	.300" to .430" (7.6mm to 10.9mm)
TL Valise:	15A .220" to .660" (5.6mm to 16.8mm) 20A .325" to .720" (8.26mm to 18.3mm) 30A .590" to .930" (15.0mm to 23.6mm)



Hubbell Incorporated (Delaware) • 185 Plains Road • Milford, CT 06460-2420 • (203) 882-4800 • FAX (800) 255-1031 • In CT (203) 882-4849
 World Wide Web URL: <http://www.hubbell-wiring.com>
 In Canada: Hubbell Canada, Inc. • 870 Brock Road South • Pickering, Ontario L1W 1Z8 • (905) 839-1138 • FAX (905) 839-9108
 Hubbell De Mexico, S.A. De C.V. • Ave. Coyoacan 1051 • Col. Del Valle • 03100 Mexico D.F. • 011 (525) 575-2022 • FAX 011 (525) 559-8626

® Registered trademark of Hubbell Incorporated
 ™ Trademark of Hubbell Incorporated

H4610 Printed in U.S.A. Copyright 1997, Hubbell Incorporated
 Specifications Subject to Change Without Notice.

X-ON Electronics

Largest Supplier of Electrical and Electronic Components

Click to view similar products for [hubbell](#) manufacturer:

Other Similar products are found below :

[CFB7TALU](#) [03301045](#) [02216024](#) [03301047](#) [5369VY](#) [5461](#) [WSS1P](#) [00322005LPK50](#) [01304055](#) [M001SG000](#) [M001SG00P](#) [M11MSP](#)
[01301013](#) [02201005](#) [02203007](#) [02203064](#) [02206012](#) [02211019](#) [02402005](#) [02406006](#) [02407008](#) [CS1223GY](#) [CS6360C](#) [CS6370](#)
[M5200CS1R](#) [7310](#) [MCMA14110](#) [7485VBLK](#) [7585](#) [7716](#) [7967](#) [FF3I](#) [PF2004PA005](#) [PFOLT312](#) [PH2003PA010](#) [PH2304PB050](#) [PH6598W](#)
[9308](#) [GFP2305](#) [GFR5352IA](#) [GFR5362WTR](#) [GFR8300SNAPBKNA](#) [PM3004PA015](#) [PS05GYKIT](#) [PT2X2BRS3](#) [AA2030PS](#) [HBL13R12D](#)
[HBL16LEDR](#) [HBL18201WCN](#) [HBL20GBA612IV](#)