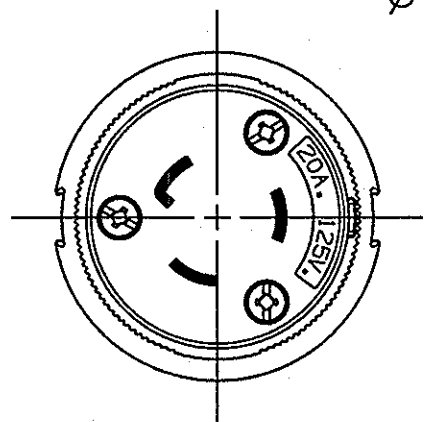
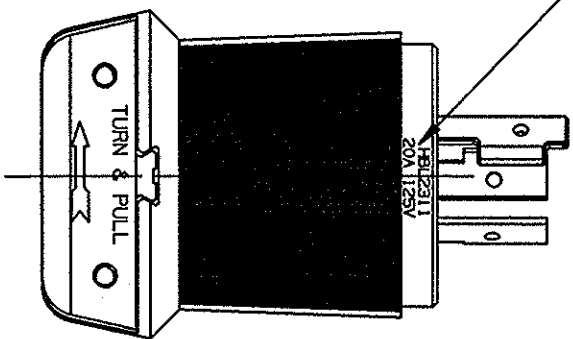
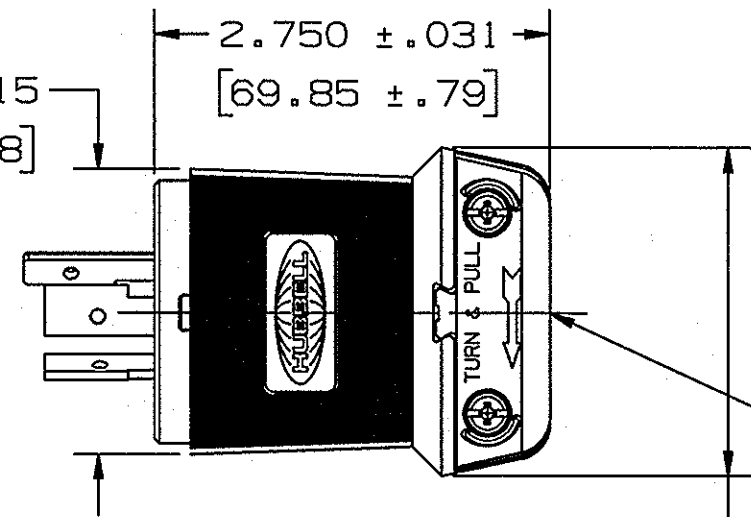


CAT NO. & RATING PRINTED ON BLADE HOLDER, COLOR CODE BY VOLTAGE



M-789710

$\phi$  1.970  $\pm$  .015  
[50.04  $\pm$  .38]



CORD CLAMP RANGE  
CORD: 16/3 - 8/3  
TYPE S  
14/3 - 10/3  
TYPE SJ  
DIAMETER RANGE:  
 $\phi$  .360 - .930  
[9.14 - 23.62]

NEMA NO.	RATING	POLE/WIRE	CAT NO.	CONFIGURATION	VOLTAGE COLOR CODE
L5-20P	125V	2P/3W GROUNDING	HBL2311 HBL23CM11 HBL2311BK HBL2311EBK		YELLOW
L6-20P	250V	2P/3W GROUNDING	HBL2321 HBL23CM21 HBL2321BK HBL2321EBK		BLUE
L7-20P	277VAC	2P/3W GROUNDING	HBL2331		GRAY
L8-20P	480VAC	2P/3W GROUNDING	HBL2341		RED
L9-20P	600VAC	2P/3W GROUNDING	HBL2351		BLACK
L24-20P	347VAC	2P/3W GROUNDING	HBL3721		BLACK

NOTES:

- ALL SCREWS ARE COMBINATION PHILLIPS/SLOTTED/ROBERTSON HEAD.
- ALL DEVICES ARE UL LISTED, CSA CERTIFIED AND FED SPEC.
- COMPONENT FINISHES:  
 WHITE FINISH ON NEUTRAL BLADE WHEN USED.  
 CM DEVICES (CORROSION RESISTANT) SAME AS ABOVE EXCEPT:  
 COVER AND CORD CLAMP - YELLOW  
 TERMINAL SCREWS & BLADES - NICKEL PLATED  
 WIRE CLAMPS - BRASS, NICKEL PLATE  
 ASSEM FASTENERS - STAINLESS STEEL  
 BK DEVICES ARE ALL BLACK.  
 E DEVICES PROVIDED WITH CORD CLAMP INSERTS.

CODE 74545

LEGEND: IN. [ mm ]

LIST OF PARTS

DESCRIPTION	MATERIAL	FINISH
COVER	NYLON	BLACK
CORD CLAMP	NYLON	NATURAL
BLADE HOLDER	NYLON	NATURAL
RETAINER	POLY-CARBONATE	CLEAR
BLADE	.060 BRASS	
WIRE CLAMP	.080 CRS	NICKEL PLATE
#10 TERMINAL SCREWS	BRASS	[A]
#10 GROUND SCREW	BRASS	GREEN
ASSEMBLY FASTENERS	STEEL	ZINC PLATE
INSERTS	NYLON	BLACK
DUST SHIELD	TPE	BLACK

NO.	DESCRIPTION	APP	DATE
10	ADDED DUST SHIELD TO LIST OF PARTS PER DCN 15675 SPN	DJP	4/22/09
9	ADDED HBL2311EBK AND HBL2321EBK TO CHART, INSERTS TO LIST OF PARTS, D TO NOTE 3 PER DCN 12459	DJP	7/15/05
8	ADDED CAT. NO.'S HBL2311BK AND HBL2321BK. ADDED TOLERANCES TO DIMENSIONS. ADDED NOTE C. PER DCN 11276 SPN	CAC	11/18/03
7	ADD CONFIGURATIONS TO CHART; ADD NOTE 2 PER DCN 10400. JDK	DJP	11/14/02
6	IN LIST OF PARTS; RELOCATED WORD "POLYCARBONATE" COMPLETELY INTO TEXT BOX; PER DCN #8996. JMN	CJC	2/19/02
5	ADDED NEMA#L24-20P TO CHART PER DCN#9003 PAC	TL5	10/01/01
4	REMOVED CANADIAN CATALOGS PER #7772. AMZ	DB	8/21/00
3	REVISED VIEWS TO SHOW TRI-DRIVE SCREWS; REVISED NOTE TO SHOW TRI-DRIVE SCREWS PER DCN 7553 RCM	DB	5/31/00
2	$\phi$ .360 WAS .325 (9-24) WAS (8-24) DCN 6639 MJM	ZIMM	3/26/99
1	RELEASED PER DCN 5220-13 B.C.		03/12/98
SYM	REVISIONS	APP	DATE

THE DESIGN AND DIMENSIONS OF THE PRODUCT SHOWN ON THIS DRAWING ARE SUBJECT TO CHANGE WITHOUT NOTICE

TITLE  
20A 3-WIRE  
TWIST-LOCK PLUG

TOLERANCES UNLESS OTHERWISE SPECIFIED	WIRING DEVICE-KELLEMS HUBBELL INCORPORATED BRIDGEPORT, CT	
FRACTIONS N/A	DR. BY B.C.	APP. BY JEZ
DECIMALS N/A	TR. BY	SCALE NONE
ANGLES N/A	CHK'D BY JEZ	DATE 02/12/98

DIMENSION SHEET FOR CAT. NO. M-7897  
 REPAIRABLE  NON-REPAIRABLE  B 10

## X-ON Electronics

Largest Supplier of Electrical and Electronic Components

*Click to view similar products for [hubbell](#) manufacturer:*

Other Similar products are found below :

[CFB7TALU](#) [03301045](#) [02216024](#) [03301047](#) [5369VY](#) [5461](#) [WSS1P](#) [00322005LPK50](#) [01304055](#) [M001SG000](#) [M001SG00P](#) [M11MSP](#)  
[01301013](#) [02201005](#) [02203007](#) [02203064](#) [02206012](#) [02211019](#) [02402005](#) [02406006](#) [02407008](#) [CS1223GY](#) [CS6360C](#) [CS6370](#)  
[M5200CS1R](#) [7310](#) [MCMA14110](#) [7485VBLK](#) [7585](#) [7716](#) [7967](#) [FF3I](#) [PF2004PA005](#) [PFOLT312](#) [PH2003PA010](#) [PH2304PB050](#) [PH6598W](#)  
[9308](#) [GFP2305](#) [GFR5352IA](#) [GFR5362WTR](#) [GFR8300SNAPBKNA](#) [PM3004PA015](#) [PS05GYKIT](#) [PT2X2BRS3](#) [AA2030PS](#) [HBL13R12D](#)  
[HBL16LEDR](#) [HBL18201WCN](#) [HBL20GBA612IV](#)