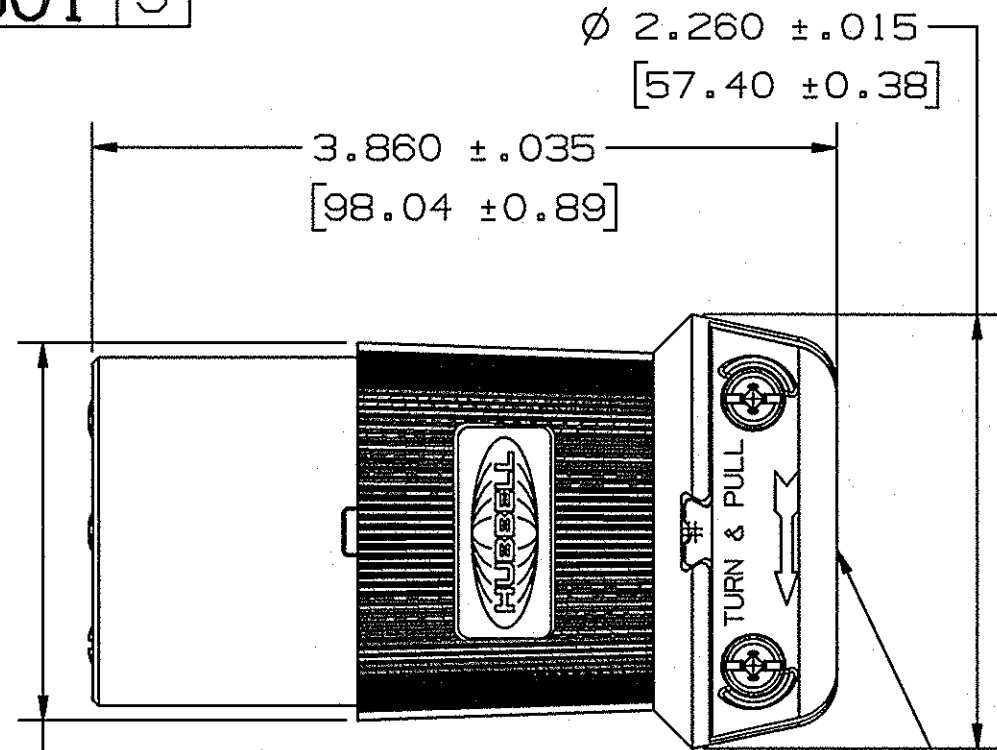
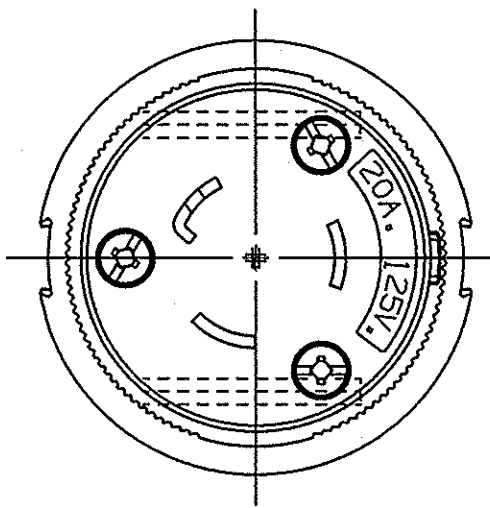
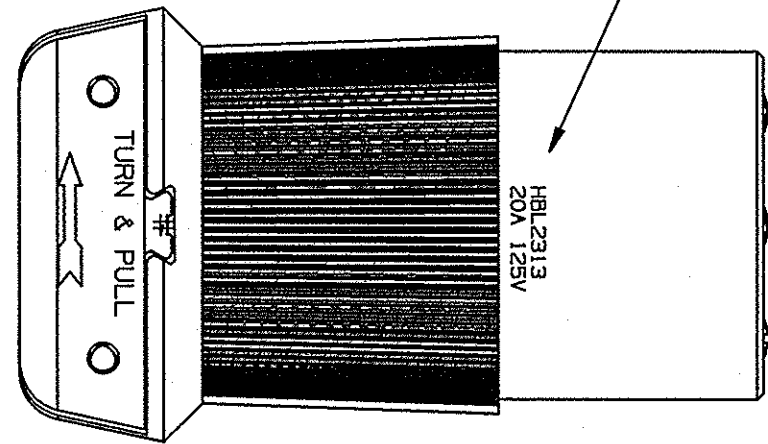


M-7901 9

CAT NO. & RATING PRINTED ON CONTACT BODY, COLOR CODE BY VOLTAGE



Ø 1.970 ± .015 [50.04 ± 0.38]

CORD CLAMP RANGE
Ø .360-.930 [9.14-23.62]

LIST OF PARTS		
DESCRIPTION	MATERIAL	FINISH
COVER	NYLON	BLACK
CORD CLAMP	NYLON	NATURAL
CONTACT BODY	NYLON	NATURAL
RETAINER	POLY CARBONATE	CLEAR
CONTACTS	.031 BRASS	
WIRE CLAMP	.080 CRS	NICKEL PLATE
#10 TERMINAL SCREWS	BRASS	[A]
#10 GROUND SCREW	BRASS	GREEN
ASSEMBLY FASTENERS	STEEL	ZINC PLATE
INSERTS	NYLON	BLACK
DUST SHIELD	TPE	BLACK

- [A] WHITE FINISH ON NEUTRAL CONTACT WHEN USED.
- [B] CM DEVICES SAME AS ABOVE EXCEPT: COVER & CORD CLAMP YELLOW TERMINAL SCREWS & CONTACT-NICKEL PLATED WIRE CLAMPS - BRASS, NICKEL PLATE ASSEM FASTENERS - STAINLESS STEEL
- [C] BK DEVICES ARE SAME AS ABOVE EXCEPT ALL BLACK
- [D] E DEVICES PROVIDED WITH CORD CLAMP INSERTS

NEMA NO.	RATING	POLE/WIRE	CAT NO.	CORROSION RESISTANT [B]	UL	CSA	FED SPEC	CONFIGURATION	VOLTAGE COLOR CODE
L5-20R	125V	2P/3W GROUNDING	HBL2313 HBL2313BK[C] HBL2313EBK[D]	HBL23CM13	YES	YES	YES		YELLOW
L6-20R	250V	2P/3W GROUNDING	HBL2323 HBL2323BK[C] HBL2323EBK[D]	HBL23CM23	YES	YES	YES		BLUE
L7-20R	277VAC	2P/3W GROUNDING	HBL2333	-----	YES	YES	YES		GRAY
L8-20R	480VAC	2P/3W GROUNDING	HBL2343	-----	YES	YES	YES		RED
L9-20R	600VAC	2P/3W GROUNDING	HBL2353	-----	YES	YES	YES		BLACK
L24-20R	347VAC	2P/3W GROUNDING	HBL3723	-----	YES	YES	YES		BLACK

SYM	REVISIONS	APP	DATE
9	ADDED DUST SHIELD TO LIST OF PARTS PER DCN 15675 SPN	DJP	4/22/09
8	ADDED "CONFIGURATION" COLUMN TO TABLE AND "SEE TABLE"; MOVED "VOLTAGE COLOR CODE" COLUMN TO END OF TABLE PER DCN #13355. JMN	DJP	1/25/07
7	ADDED HBL2313EBK AND HBL2323EBK TO CHART, INSERTS TO LIST, NOTE D, C WAS B UNDER CAT NO., A WAS * IN LIST PER DCN 12459. DJP	DJP	7/13/05

THE DESIGN AND DIMENSIONS OF THE PRODUCT SHOWN ON THIS DRAWING ARE SUBJECT TO CHANGE WITHOUT NOTICE

TITLE 20A 3-WIRE TWIST-LOCK CONNECTOR

TOLERANCES UNLESS OTHERWISE SPECIFIED	WIRING DEVICE-KELLEMS HUBBELL INCORPORATED BRIDGEPORT, CT	
FRACTIONS N/A	DR. BY B.C.	APP. BY ZIMM
DECIMALS N/A	TR. BY	SCALE NONE
ANGLES N/A	CHK'D BY ZIMM	DATE 02/12/98

NOTE: ALL SCREWS ARE COMBINATION PHILLIPS/SLOTTED/ROBERTSON HEAD.

LEGEND: IN. [mm]

CODE 74545

DIMENSION SHEET FOR CAT. NO. SEE TABLE
 REPAIRABLE
 NON-REPAIRABLE
 B
 M-7901
 O

X-ON Electronics

Largest Supplier of Electrical and Electronic Components

Click to view similar products for [hubbell](#) manufacturer:

Other Similar products are found below :

[CFB7TALU](#) [03301045](#) [02216024](#) [03301047](#) [5369VY](#) [5461](#) [WSS1P](#) [00322005LPK50](#) [01304055](#) [M001SG000](#) [M001SG00P](#) [M11MSP](#)
[01301013](#) [02201005](#) [02203007](#) [02203064](#) [02206012](#) [02211019](#) [02402005](#) [02406006](#) [02407008](#) [CS1223GY](#) [CS6360C](#) [CS6370](#)
[M5200CS1R](#) [7310](#) [MCMA14110](#) [7485VBLK](#) [7585](#) [7716](#) [7967](#) [FF3I](#) [PF2004PA005](#) [PFOLT312](#) [PH2003PA010](#) [PH2304PB050](#) [PH6598W](#)
[9308](#) [GFP2305](#) [GFR5352IA](#) [GFR5362WTR](#) [GFR8300SNAPBKNA](#) [PM3004PA015](#) [PS05GYKIT](#) [PT2X2BRS3](#) [AA2030PS](#) [HBL13R12D](#)
[HBL16LEDR](#) [HBL18201WCN](#) [HBL20GBA612IV](#)