

CAT NO. & RATING PRINTED ON BLADE HOLDER, COLOR CODE BY VOLTAGE

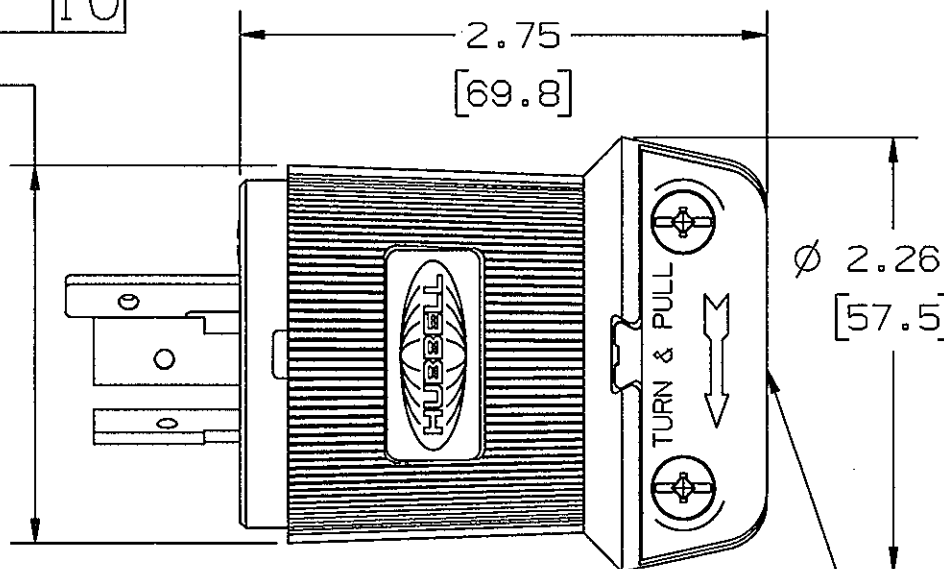
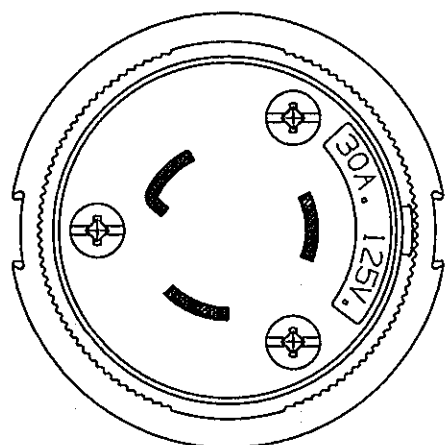
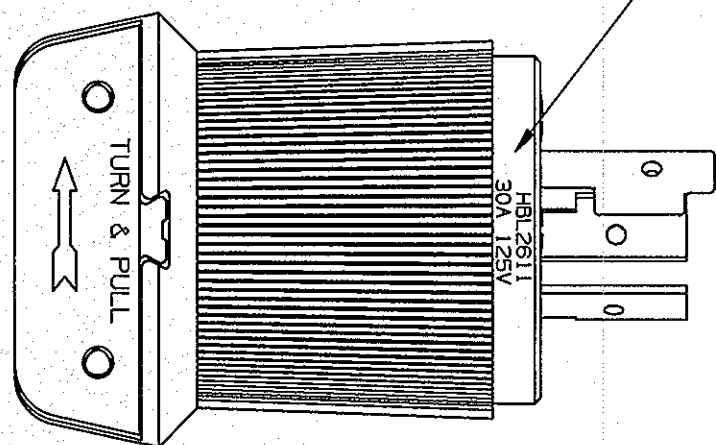
M-7899

10

1.970 ± .015
[50.0 ± .38]

2.75
[69.8]

Ø 2.26
[57.5]



CORD CLAMP RANGE
CORD: 16/3 - 8/3
TYPE S
14/3 - 10/3
TYPE SJ
DIAMETER RANGE:
Ø .360 - .930
[9.14 - 23.62]

NEMA NO.	RATING	POLE/WIRE	CAT. NO.	CONFIGURATION	VOLTAGE COLOR CODE
L5-30P	125V	2P/3W GROUNDING	HBL2611 HBL2611F HBL26CM11 [B] HBL2611BK [C]		YELLOW
L6-30P	250V	2P/3W GROUNDING	HBL2621 HBL26CM21 [B] HBL2621BK [C] HBL2621EBK [C][D]		BLUE
L7-30P	277VAC	2P/3W GROUNDING	HBL2631		GRAY
L8-30P	480VAC	2P/3W GROUNDING	HBL2641		RED
L9-30P	600VAC	2P/3W GROUNDING	HBL2651		BLACK

NOTES:

- ALL SCREWS ARE COMBINATION PHILLIPS/SLOTTED/ROBERTSON HEAD.
- ALL DEVICES ARE UL LISTED, CSA CERTIFIED AND FED SPEC.
- COMPONENT FINISHES:

- [A] WHITE FINISH ON NEUTRAL BLADE WHEN USED.
- [B] CM DEVICES (CORROSION RESISTANT) SAME AS ABOVE EXCEPT:
COVER AND CORD CLAMP - YELLOW
TERMINAL SCREWS & BLADES - NICKEL PLATED
WIRE CLAMPS - BRASS, NICKEL PLATE
ASSEM FASTENERS - STAINLESS STEEL
- [C] BK DEVICES SAME AS ABOVE EXCEPT ALL BLACK.
- [D] E DEVICES PROVIDED WITH CORD CLAMP INSERTS.

CODE 74545

LEGEND: IN. [mm]

LIST OF PARTS

DESCRIPTION	MATERIAL	FINISH
COVER	NYLON	BLACK
CORD CLAMP	NYLON	NATURAL
BLADE HOLDER	NYLON	NATURAL
RETAINER	POLY	CLEAR
BLADE	CARBONATE	
	.070	
WIRE CLAMP	BRASS	
	.080	NICKEL
	CRS	PLATE
#10 TERMINAL SCREWS	BRASS	[A]
#10 GROUND SCREWS	BRASS	GREEN
ASSEMBLY FASTENERS	STEEL	ZINC PLATE
DUST SHIELD	TPE	BLACK

SYM	REVISIONS	APP	DATE
10	DIM. 1.970±.015 [50.0±.38] WAS Ø 1.97 [50.0]. REPLACED DWG. FORMAT. PER DCN 20773 SPN	PJB	11/4/14
9	ADDED DUST SHIELD TO LIST OF PARTS PER DCN 15675 SPN	DJP	4/22/09
8	ADDED "HBL2621EBK" & "D" TO NOTE 3 PER DCN 14136 RCM	JPP	8/1/07
7	REMOVED TOLS. & REVISED DIMS. TO .XX [.X] PER DCN 11902 RCM	JPP	1/6/05

THE DESIGN AND DIMENSIONS OF THE PRODUCT SHOWN ON THIS DRAWING ARE SUBJECT TO CHANGE WITHOUT NOTICE

TITLE

30A 3-WIRE
TWIST-LOCK PLUG

TOLERANCES UNLESS OTHERWISE SPECIFIED	WIRING DEVICE-KELLEMS HUBBELL INCORPORATED SHELTON, CT	
.XX = ±.01	DR. BY B.C.	APP. BY ZIMM
.XXX = ±.005	TR. BY	SCALE NONE
ANGLES = ±2°	CHK. BY ZIMM	DATE 3/2/98

DIMENSION SHEET FOR CAT. NO.

REPAIRABLE

NON-REPAIRABLE

B

M-7899

10

X-ON Electronics

Largest Supplier of Electrical and Electronic Components

Click to view similar products for [hubbell](#) manufacturer:

Other Similar products are found below :

[CFB7TALU](#) [03301045](#) [02216024](#) [03301047](#) [5369VY](#) [5461](#) [WSS1P](#) [00322005LPK50](#) [01304010](#) [01304055](#) [M001SG000](#) [M001SG00P](#)
[M11MSP](#) [01301013](#) [02201005](#) [02203007](#) [02203064](#) [02206012](#) [02211019](#) [02402005](#) [02406006](#) [02407008](#) [CS1223GY](#) [CS6360C](#) [CS6370](#)
[M5100B9R](#) [M5200CS1R](#) [7310](#) [MCMA14110](#) [7485VBLK](#) [7585](#) [7716](#) [7967](#) [FF3I](#) [PF2004PA005](#) [PFOLT312](#) [PH2003PA010](#) [PH2304PB050](#)
[PH6598W](#) [9308](#) [GFP2305](#) [GFR5352IA](#) [GFR5362WTR](#) [GFR8300SNAPBKNA](#) [PM3004PA015](#) [PS05GYKIT](#) [PT2X2BRS3](#) [AA2030PS](#)
[HBL13R12D](#) [HBL16LEDR](#)