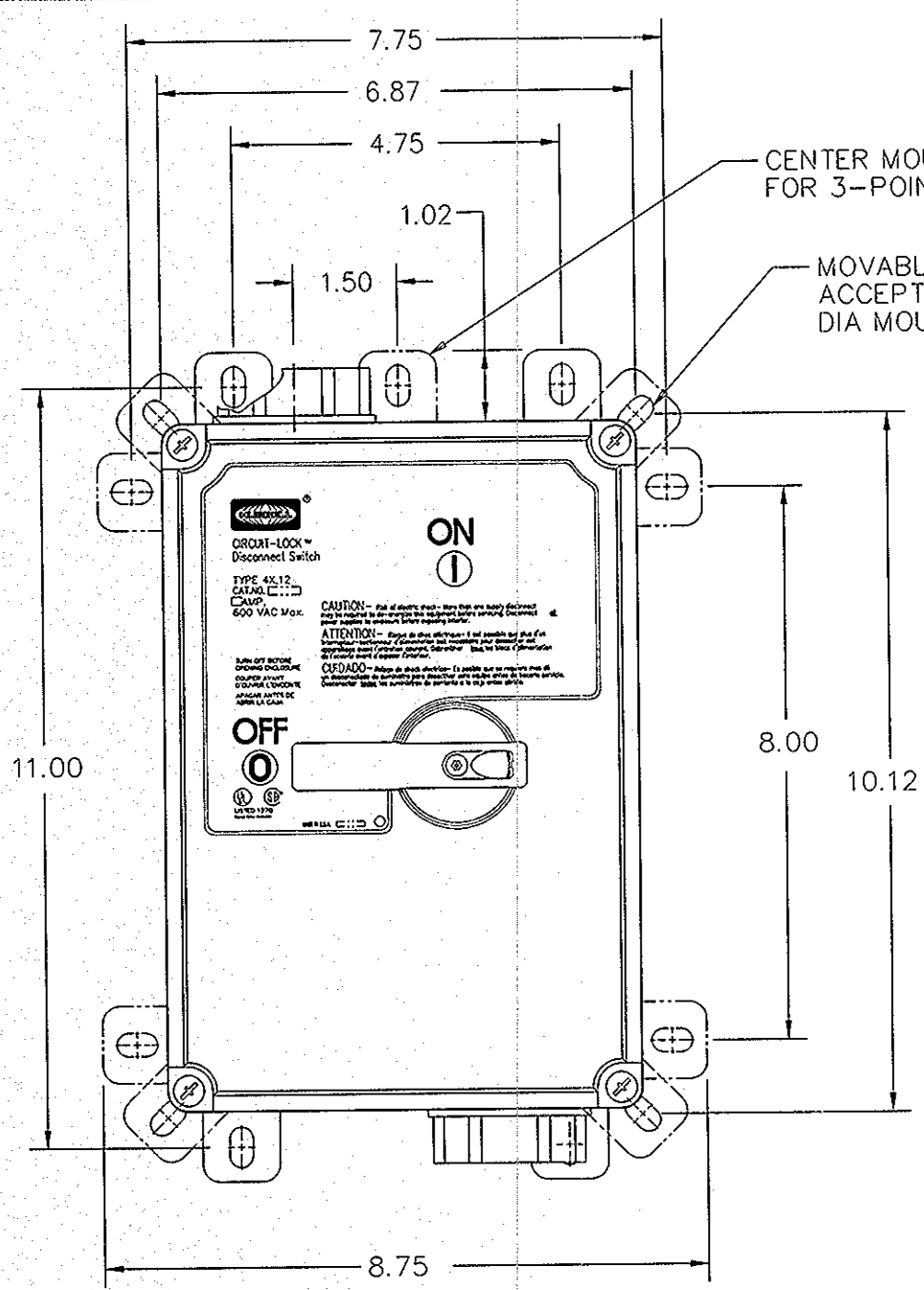
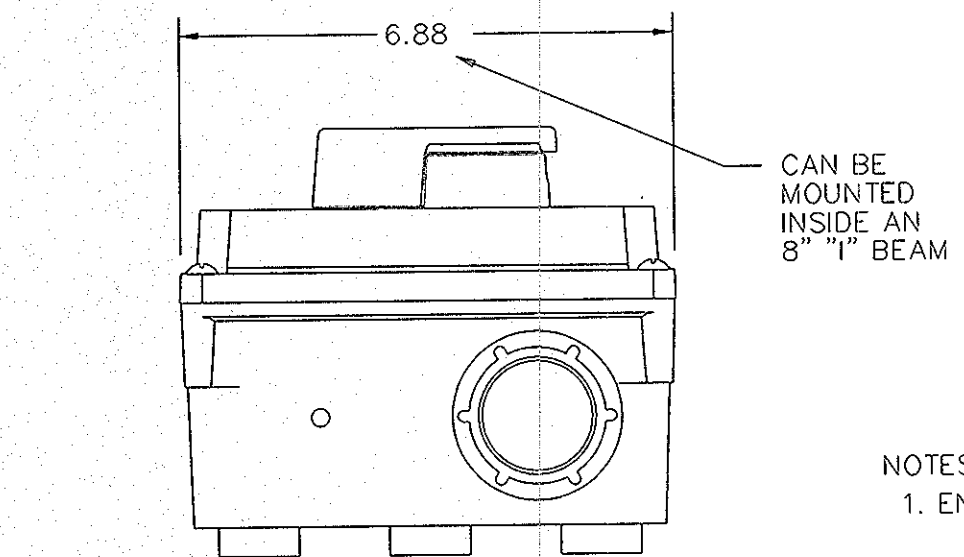
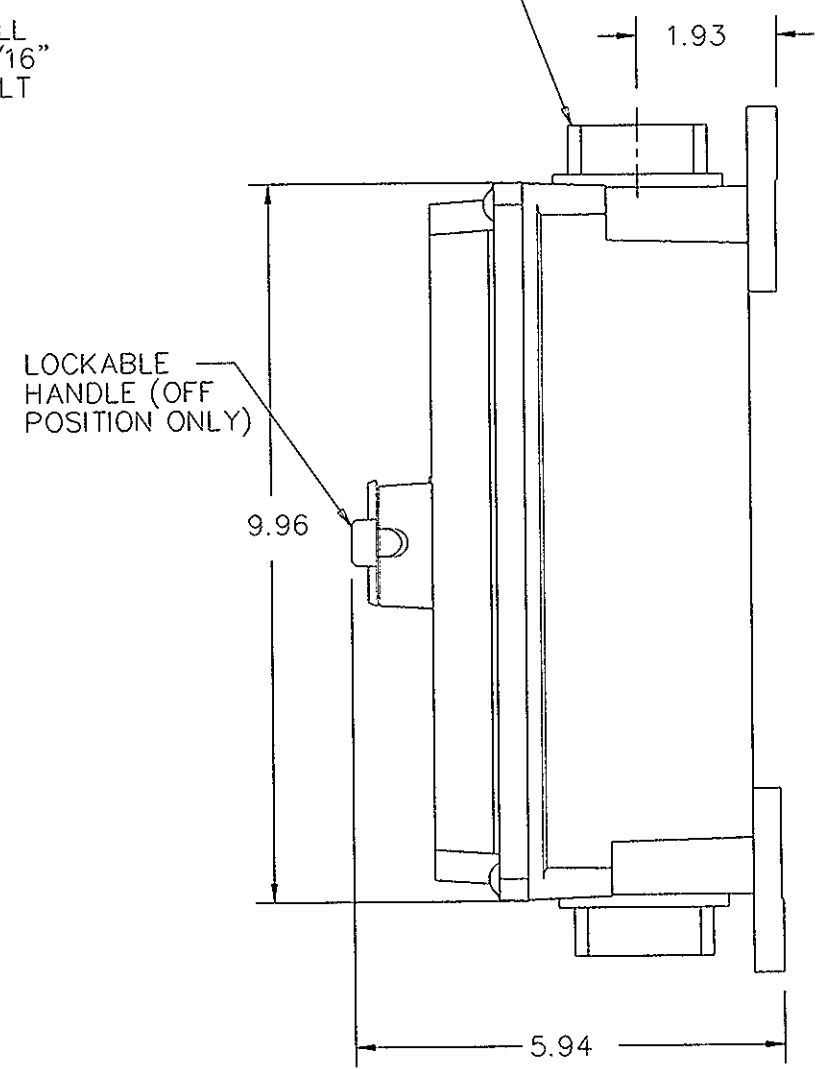


M-7242 5



2X 1-1/4" NPT CONDUIT FITTING SUPPLIED, PROVISION FOR TOP, BOTTOM, & BACK FEED CUSTOMER TO DRILL OR PUNCH 1-3/4" DIA. HOLE FOR CONDUIT FITTING

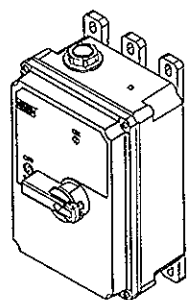


NOTES:
1. ENCLOSURE TYPE 4X & 12

CATALOG NO.'S		CATALOG NO.'S	
HBLDS6	HBLDS6AC (AUXILIARY CONTACT)	HBLDS10	HBLDS10AC (AUXILIARY CONTACT)
60 AMP	600 VAC	100 AMP	600 VAC
7.5 HP (5.6kw)	120 VAC 1 ϕ	7.5 HP (5.6kw)	120 VAC 1 ϕ
15 HP (11.19 kw)	200-240 VAC 1 ϕ	15 HP (11.19 kw)	200-240 VAC 1 ϕ
30 HP (22.37 kw)	480 VAC 1 ϕ	30 HP (22.37 kw)	480 VAC 1 ϕ
30 HP (22.37 kw)	200-240 VAC 3 ϕ	30 HP (22.37 kw)	200-240 VAC 3 ϕ
50 HP (37.28 kw)	480 VAC 3 ϕ	50 HP (37.28 kw)	480 VAC 3 ϕ
50 HP (37.28 kw)	600 VAC 3 ϕ	50 HP (37.28 kw)	600 VAC 3 ϕ

LIST OF PARTS

DESCRIPTION	MATERIAL	FINISH
ALL EXTERNAL PLASTIC PARTS	UV STABILIZED POLYESTER BLEND	
ALL EXTERNAL SCREWS	STAINLESS STEEL	
THREADED HUB	DIE CAST	
INSULATED THROAT	ZINC	



CATALOG NO. HBLDS6 (NOT SHOWN TO SCALE)

SYM	REVISIONS	APP	DATE
5	ADDED ISO VIEW TO INDICATE SOLID MODEL DRAWING PER DCN 21895 DDL	DJP	02/26/16
4	REVISED TABLE; HP & VOLTAGE REVISED PER DCN #13625 RCM	TLS	1/26/07
3	TITLE RELOCATED ON NEW BORDER FORMAT TABLE UPDATE TO INCLUDE 100A PER DCN #3012 RCM	PJT	9/14/94
2	NEW DRAWING RELEASED FOR PRODUCTION PER DCN # 2837. JMN PJT		5/24/94
1	"X" REMOVED; LAST X-REVISION WAS X-1 PER EC #2591-1. JMN		4/13/94

THE DESIGN AND DIMENSIONS OF THE PRODUCT SHOWN ON THIS DRAWING ARE SUBJECT TO CHANGE WITHOUT NOTICE

TITLE
DIMENSION SHEET FOR 60A & 100A CIRCUIT LOCK™ DISCONNECT SWITCHES

TOLERANCES UNLESS OTHERWISE SPECIFIED .XX = ± .01 .XXX = ± .005 ANGLES = ± 2°	WIRING DEVICE-KELLEMS HUBBELL INCORPORATED SHELTON, CT	
	DR. BY JMN	APP. BY PJT
	TR. BY	SCALE NONE
	CHK'D BY PJT	DATE 3/23/94

DIMENSION SHEET FOR CAT. NO. SEE TABLE REPAIRABLE NON-REPAIRABLE M-7242 5

X-ON Electronics

Largest Supplier of Electrical and Electronic Components

Click to view similar products for [hubbell](#) manufacturer:

Other Similar products are found below :

[CFB7TALU](#) [03301045](#) [02216024](#) [03301047](#) [5369VY](#) [5461](#) [WSS1P](#) [00322005LPK50](#) [01304055](#) [M001SG000](#) [M001SG00P](#) [M11MSP](#)
[01301013](#) [02201005](#) [02202008](#) [02203007](#) [02203064](#) [02206012](#) [02211003](#) [02211019](#) [02402005](#) [02406006](#) [02407008](#) [CS1223GY](#) [CS6360C](#)
[CS6370](#) [7310](#) [MCMA14110](#) [7485VBLK](#) [7585](#) [7716](#) [7967](#) [FF3I](#) [PF2004PA005](#) [PFOLT312](#) [PH2003PA010](#) [PH2304PB050](#) [PH6598W](#) [9308](#)
[GFP2305](#) [GFR5352IA](#) [GFR5362WTR](#) [GFR8300SNAPBKNA](#) [PM3004PA015](#) [HBL13R12D](#) [HBL16LEDR](#) [HBL18201WCN](#)
[HBL20GBA612IV](#) [HBL20IG606GY](#) [HBL2441](#)