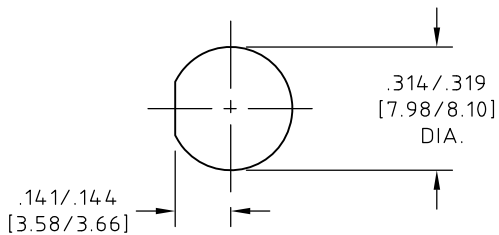


CONTROL DRAWING

29085

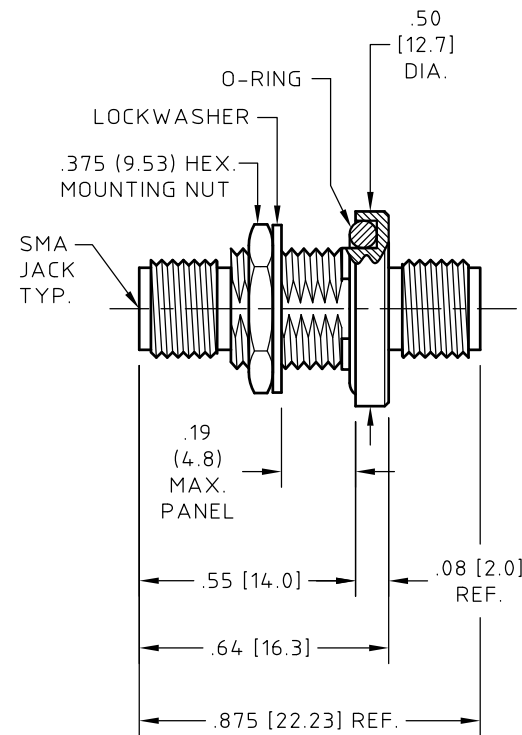
Q



PANEL CUT OUT
HUBER+SUHNER Astrolab
REFERENCE "PC4"
TORQUE MOUNTING NUT
TO 20±2 IN-LBS [2.96±.3 Nm]

NOTES:

1. DESCRIPTION,
ADAPTOR, SMA JACK TO SMA JACK, BULKHEAD.
2. MATERIALS AND FINISHES
 BODY AND MOUNTING NUT,
 STEEL, CORROSION RESISTANT PER ASTM A-582,
 UNS No. S30300, COND. A, NON MAGNETIC,
 PASSIVATED PER SAE-AMS-2700.
 NO DICHROMATE SOLUTIONS USED.
 CENTER CONDUCTOR,
 BERYLLIUM COPPER ALLOY PER ASTM B-196,
 UNS No. C17300, TEMPER TD04(H),
 GOLD PLATED 50 µIN (1.27 µM) MIN. THK.
 PER ASTM B-488, CODE C, TYPE II, CLASS 1.27
 OVER
 NICKEL PLATE, 50 µIN (1.27 µM) MIN. THK.
 PER SAE-AMS-QQ-N-290, CLASS 1.
 DIELECTRIC,
 POLYTETRAFLUOROETHYLENE (PTFE) PER ASTM D-1710,
 OR ASTM D-4894, TYPE I, GRADE 1, CLASS A.
 LOCKWASHER,
 COPPER ALLOY UNS No. C425xxSERIES PER ASTM B-591 OR
 COPPER ALLOY UNS No. C51xxx SERIES PER ASTM B-103,
 NICKEL PLATED 100 µIN MIN. THK. (2.54 µM)
 PER SAE-AMS-C-26074 OR ASTM B-733.
 O-RING,
 SILICONE RUBBER PER GSA CID A-A-59588-2B
 AND SAE-AMS-3304.
3. ELECTRICAL CHARACTERISTICS:
 IMPEDANCE
 50.0 Ohms NOMINAL.
 FREQUENCY
 18.0 GHz MAX.
 INSERTION LOSS
 0.25 dB MAX.
 VSWR
 1.15 : 1 MAX.
4. INTERFACE MEETS MIL-STD-348.
5. OPERATING TEMPERATURE RANGE
 -55° C TO +125° C.



UNLESS OTHERWISE SPECIFIED
 CONCENTRICITY .004 T.I.R.
 CORNERS AND FILLETS .005
 MAX. RADIUS OR CHAMFER.
 SURFACE FINISH 63 RMS
 MICROINCHES OR BETTER.

FRACTIONS	± 1/16
X	± .030
XX	± .015
XXX	± .005
ANGLES	± 1°
DO NOT SCALE DRAWING	

NAME	DATE	 HUBER+SUHNER Astrolab <small>THIS DRAWING CONTAINS PATENTABLE AND PROPRIETARY INFORMATION. THE DESIGN CANNOT BE USED WITHOUT WRITTEN PERMISSION OF HUBER + SUHNER ASTROLAB.</small>
PREP.		
ELEC.		
MECH.		
Q.C.		

TITLE
ADAPTOR, SMA JACK TO SMA JACK, BULKHEAD.

Q	ECN No. 15759	08/21/13	EF							
REV.	DESCRIPTION	DATE	BY	APPROVED	<small>THDS. TO BE IN ACCORD WITH U.S. DEPT. OF COMM. SCREW THD. STDS. FOR FEDERAL SERVICES 1950 SUPL. TO HANDBOOK H 28.</small>		SCALE 2:1	CODE IDENT. 16301	DWG NO. 29085	REV Q

X-ON Electronics

Largest Supplier of Electrical and Electronic Components

Click to view similar products for [RF Adapters - In Series](#) category:

Click to view products by [Huber & Suhner](#) manufacturer:

Other Similar products are found below :

[5916-1103-603](#) [5919-1503-000](#) [5919-9503-000](#) [651A505](#) [82-5552](#) [9030-9523-502](#) [PN2C](#) [A0407000](#) [R114703000W](#) [R125771001](#)
[R127871001](#) [R141710000W](#) [R141723161](#) [R141730000](#) [R143730700](#) [R143770000](#) [R161703000W](#) [R161753000W](#) [R161791530W](#)
[R201705000](#) [R222705200](#) [R222M40010W](#) [R222M40050](#) [R223703180](#) [R316754000](#) [R405006000](#) [R443162000](#) [AD78TL](#) [HRM-513S](#)
[1996352-2](#) [2157155-1](#) [252169-75](#) [AD158](#) [2101130-1](#) [252186](#) [R114704000W](#) [R114720000W](#) [R125705001](#) [R125705701](#) [R125771000](#)
[R125771001W](#) [R127704001](#) [R127.870.001](#) [R127872001](#) [R142710000](#) [R142723000](#) [R143703000](#) [R143704000](#) [R143705700](#) [R143710000](#)