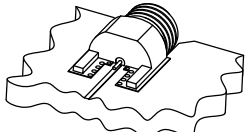
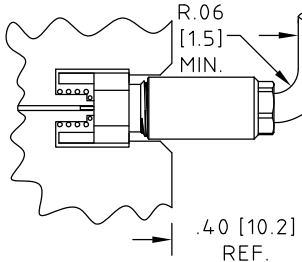




ISOMETRIC VIEWS OF CONNECTOR
REFERENCE ONLY
SCALE: 2:1



ISOMETRIC VIEWS OF CONNECTOR MOUNTED
REFERENCE ONLY
SCALE: 2:1



ISOMETRIC VIEWS OF CONNECTOR MOUNTED AND MATED TO HUBER+SUHNER Astrolab SMPM-T FEMALE
REFERENCE ONLY
SCALE: 2:1

NOTES:

1. DESCRIPTION
LAUNCHER, EDGE MOUNT, SMPM-T MALE, THREADED HUBER+SUHNER Astrolab SMPM MALE. FULL DETENT OPTION SHOWN. SEE CHART FOR OPTIONS AND PART NUMBERS.

2. MATERIALS AND FINISHES

BODY AND CENTER CONDUCTOR, BERYLLIUM COPPER ALLOY PER ASTM B-196, UNS No. C17300, TEMPER TD04(H), GOLD PLATED .000050 IN (1.27 μm) MIN. THK. PER ASTM B-488, CODE C, TYPE II, CLASS 1.27
OVER NICKEL PLATE, .000050 IN (1.27 μm) MIN. THK. PER SAE-AMS-QQ-N-290, TYPE 1.
DIELECTRIC, POLYTETRAFLUOROETHYLENE (PTFE) PER ASTM D-1710, OR ASTM D-4894, TYPE I, GRADE 1.

3. ELECTRICAL CHARACTERISTICS:
IMPEDANCE, 50.0 Ohms NOMINAL.
FREQUENCY, 65.0 GHz.

4. INTERFACE DEFINITION, SMPM MALE IS DESIGNED AND MANUFACTURED IAW MIL-STD-348 AND WILL MATE WITH SMPM FEMALE CONNECTOR THAT IS DESIGNED AND MANUFACTURED IAW MIL-STD-348.

5. OPERATING TEMPERATURE RANGE:
-55° C TO +125° C.

6. MOUNTING PATTERNS:

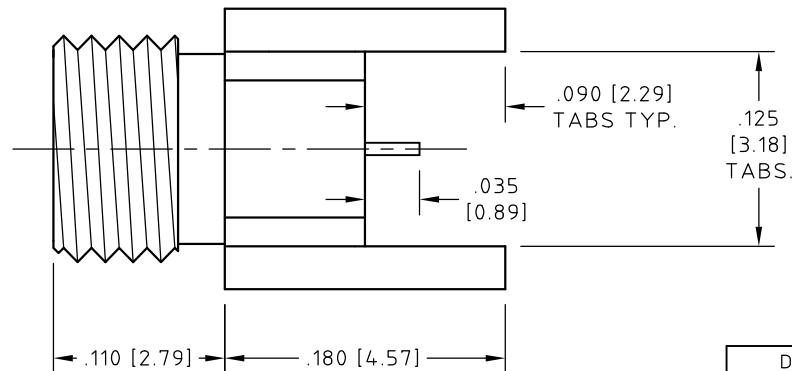
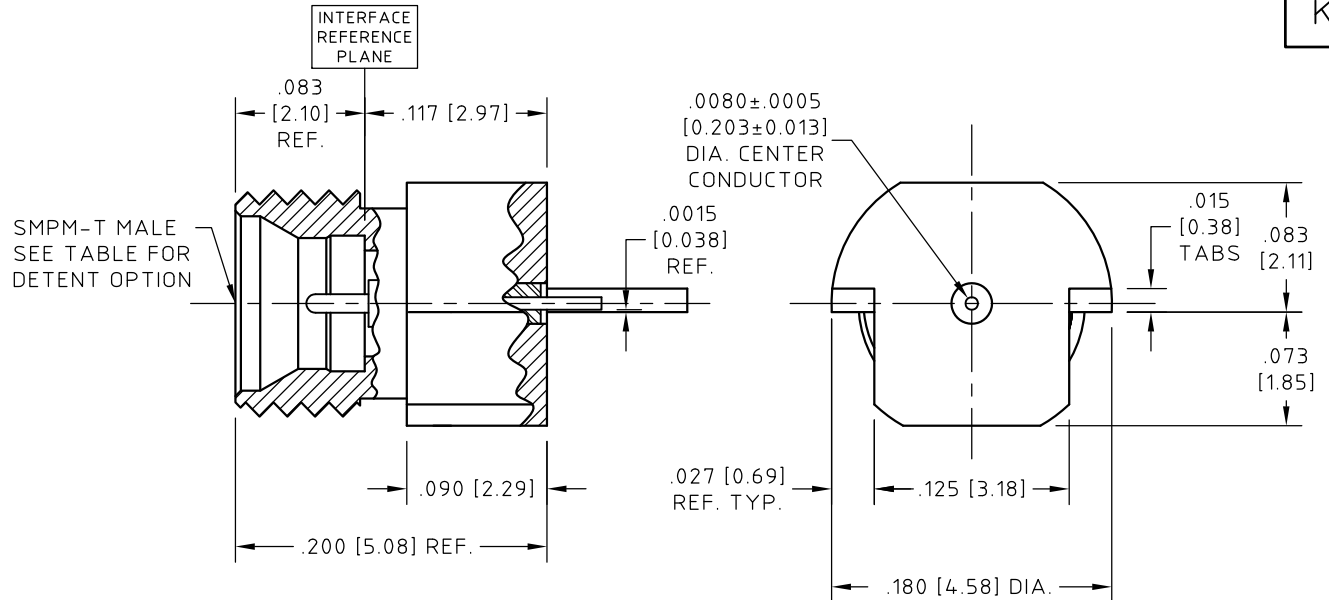
CUSTOMER SPECIFIC FACTORS INCLUDING TRANSMISSION LINE TOPOLOGY, SUBSTRATE THICKNESS AND MATERIAL, BOARD-STACKUP, OPERATING FREQUENCY, ETC. MUST BE SUBMITTED TO HUBER+SUHNER Astrolab FOR ANALYSIS PRIOR TO RELEASE OF FINAL PERFORMANCE LEVELS AND MOUNTING CONFIGURATION.

7. ESTIMATED WEIGHT: 0.41 GRAMS

CONTROL DRAWING

29976BM-x-006

K



DETENT	PART NUMBER
FULL DETENT	29976BM-2-006
SMOOTH BORE	29976BM-4-006

UNLESS OTHERWISE SPECIFIED
CONCENTRICITY .004 T.I.R.
CORNERS AND FILLETS .005
MAX. RADIUS OR CHAMFER.
SURFACE FINISH 63 RMS
MICROINCHES OR BETTER.

FRACTIONS	± 1/16
X	± .030
XX	± .015
XXX	± .005
ANGLES	± 1°
DO NOT SCALE DRAWING	

NAME	DATE
PREP. GSG	12/07/11
ELEC. RF	12/07/11
MECH. AW	12/08/11
Q.C.	

THIS DRAWING CONTAINS PATENTABLE AND PROPRIETARY INFORMATION. THE DESIGN CANNOT BE USED WITHOUT WRITTEN PERMISSION OF HUBER + SUHNER ASTROLAB.

TITLE		SCALE	CODE IDENT.	DWG NO.	REV
SMPM-T MALE, PC BOARD MOUNT CONNECTOR		8:1	16301	29976BM-x-006	K
THDS. TO BE IN ACCORD WITH U.S. DEPT. OF COMM. SCREW THD. STDS. FOR FEDERAL SERVICES 1950 SUPL. TO HANDBOOK H 28.					

REV.	DESCRIPTION	DATE	BY	APPROVED
K	ECN No. 19703	10/30/17	EF	

X-ON Electronics

Largest Supplier of Electrical and Electronic Components

Click to view similar products for [RF Connectors / Coaxial Connectors](#) category:

Click to view products by [Huber & Suhner](#) manufacturer:

Other Similar products are found below :

[8915-1511-000](#) [89674-0827](#) [6001-7071-019](#) [6002-7051-003](#) [6002-7551-202](#) [6059674-1](#) [619550-1](#) [630059-000](#) [M39030/3-01N](#) [6500-7071-046](#) [6769](#) [CX050L2AQ](#) [7002-1541-010](#) [7002-1542-011](#) [7004-1512-000](#) [7009-1511-004](#) [7010-1511-000](#) [7029-1511-060](#) [7101-1541-010](#) [7101-1571-002](#) [7145-1521-002](#) [7203-1571-003](#) [7209-1511-011](#) [7210-1511-015](#) [7210-1511-019](#) [73137-5015](#) [73216-2241](#) [73404-2300](#) [7405-1521-005](#) [7405-1521-802](#) [8527](#) [8547](#) [FS11V](#) [877931](#) [9049-9513-000](#) [9074-9513-000](#) [9101-9573-002](#) [910A205F](#) [9130-9573-002](#) [PL11SC-026](#) [PL375-33](#) [PL40-5](#) [PL74C-221](#) [PL75MC-217](#) [PL803-7](#) [980-8666-005](#) [1200690078](#) [1-201144-1](#) [R107003010W](#) [R110A172100](#)