

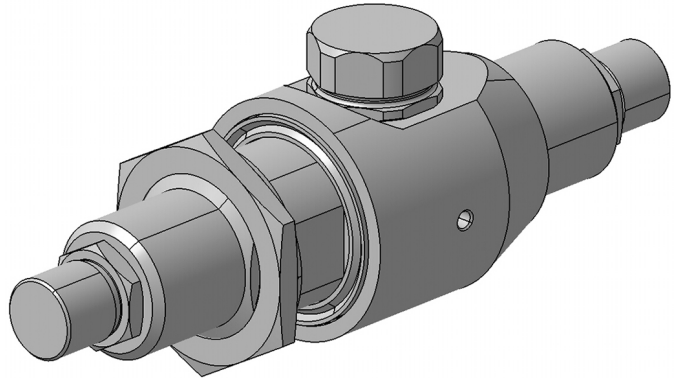
EMP Protector 3402.99.0004

Description

GDT technology up to 2.5 GHz

Benefits

- Broad-band design
- DC continuity for remote powering
- The protector can also be installed reversely
- Delivered without gas discharge tube
- Data refer to GDT 9071.99.0547, 230 V
- Compliant to IEC 61643-21



Product Configuration

Main path connectors Port 1: unprotected, F jack (female) - Port 2: protected, F jack (female)
 Mounting and grounding MH25 (bulkhead mounting), brk (bracket)

Technical Data

Electrical Data

Impedance 75 Ω
 Frequency range 0 - 1500 MHz
 Insertion loss ≤ 0.5 dB
 RF CW power ≤ 50 W
 PIM 3rd order not specified

Surge current handling capability 10 single / 5 multiple kA (test pulse 8/20 μs)
 Residual pulse energy 350 μJ typically (test pulse 4 kV 1.2/50 μs / 2 kA 8/20 μs) main path - protected side

Mechanical Data

Weight 157 g

Environmental Data

Operating temperature -40 °C to +85 °C
 Waterproof degree IP54 (according to IEC 60529, data refer to the coupled state)
 2011/65/EU (RoHS - including 2015/863 and 2017/2102) compliant

Material Data

Piece Parts	Material	Surface Plating
Housing	Brass	SUCOPLATE (R) Plating
Port 1 center contact	Copper Beryllium Alloy	Gold Plating (without Nickel underplating)
Port 2 center contact	Copper Beryllium Alloy	Gold Plating (without Nickel underplating)

Related Documents

Outline drawing DOU-00004160.1
 Mounting instruction DOC-0000176104

X-ON Electronics

Largest Supplier of Electrical and Electronic Components

Click to view similar products for [Huber & Suhner](#) manufacturer:

Other Similar products are found below :

[31 MMBX-SMA-50-1/111_NE](#) [74Z-0-23-17](#) [32 MMBX-50-0-6 / 111_NE](#) [TL8A-11SMA-11SMA-03000-51](#) [TL8A-11SMA-11SMA-01500-51](#)
[23_SMA-50-0-1/111_NE](#) [24_BNT-50-2-1/103_NE](#) [5906.17.0005](#) [34_N-50-0-3/133_NE](#) [Microbend R-13](#) [5910_SMA-50-005/19-_NE](#)
[16_SMA-50-2-55/199_NE](#) [11_716-50-7-31/033_-Y](#) [36_BMA-SMA-50-1/199_UE](#) [Minibend L-13](#) [6550.17.AA](#) [Microbend R-4.5](#) [74_Z-0-0-53](#)
[85_SMC-50-0-1/133_NE](#) [MF53/1x8A_21MXP/11SK/305](#) [1324.17.0114](#) [31_PC24-SK-50-1/199_NE](#) [65_BNC-50-0-2/133_NE](#) [76_Z-0-10-14](#)
[11_N-50-4-19/12-_NE](#) [80346275](#) [33_SMA-QMA-50-1/133_NE](#) [11_C-50-7-6/133_NE](#) [6806.19.A](#) [33_716-N-50-51/-33_NE](#) [5930_N-50-](#)
[050/19-_NE](#) [6620_SMA-50-2/199_NE](#) [Mini141 K-8](#) [74_Z-0-0-67](#) [33_BNC-N-50-1/133_NE](#) [33_BNC-QLA-01-1/1--_NE](#) [25_N-50-7-](#)
[8/133_NE](#) [22_BNC-50-0-5/133_NE](#) [6500_N-50-1/199_NE](#) [6830.01.A](#) [3401.17.0033](#) [6601_SMA-50-1/199_NE](#) [74_Z-0-0-56](#) [3401.00.0022](#)
[MF53/1x8A_21MXP/21SK_erg/305](#) [32_N-SMA-50-51/1--_UE](#) [33_N-50-0-51/193_NE](#) [Microbend R-3.5](#) [21_N-75-4-8/133_NE](#) [6830.17.A](#)