

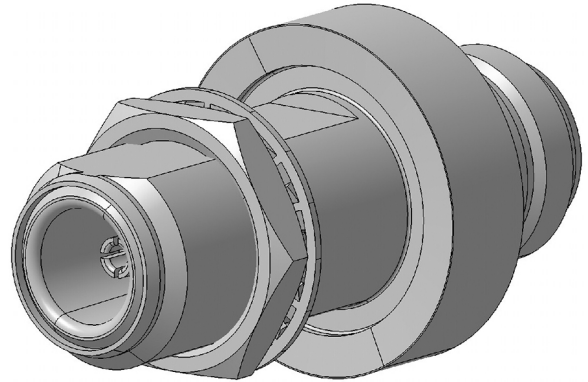
EMP Protector 3406.17.0009

Description

Slim Line GDT technology

Benefits

- Broad-band design
- DC continuity for remote powering
- The protector can also be installed reversely
- Fix installed GDT, static sparkover-voltage nom. 200 V
- Compliant to IEC 61643-21



Product Configuration

| | |
|------------------------|---|
| Main path connectors | Port 1: <u>unprotected</u> , N jack (female) - Port 2: <u>protected</u> , N jack (female) |
| Mounting and grounding | MH24 (bulkhead mounting), brk (bracket) |
| Side of bulkhead | protected side |

Technical Data

Electrical Data

| | | | |
|-----------------|---------------|--------------|-----------------|
| Impedance | 50 Ω | | |
| Frequency range | 0 - 6000 MHz | 0 - 5600 MHz | 5600 - 5800 MHz |
| Return loss | ≥ 15 dB | ≥ 20 dB | ≥ 18.5 dB |
| Insertion loss | ≤ 0.3 dB | ≤ 0.2 dB | ≤ 0.2 dB |
| RF CW power | ≤ 50 W | | |
| PIM 3rd order | not specified | | |

| | |
|-----------------------------------|--|
| Surge current handling capability | 10 single / 5 multiple kA (test pulse 8/20 μs) |
| Residual pulse energy | 250 μJ typically (test pulse 4 kV 1.2/50 μs / 2 kA 8/20 μs) main path - protected side |

Mechanical Data

| | |
|-------------------|------|
| Number of matings | 500 |
| Weight | 90 g |

Environmental Data

| | |
|--|--|
| Operating temperature | -40 °C to +85 °C |
| Waterproof degree | IP67 (according to IEC 60529, data refer to the coupled state) |
| 2011/65/EU (RoHS - including 2015/863 and 2017/2102) | compliant acc. Annex III |

Material Data

| Piece Parts | Material | Surface Plating |
|-----------------------|------------------------|--|
| Housing | Brass | Silver / Gold Plating |
| Port 1 center contact | Copper Beryllium Alloy | Gold Plating (without Nickel underplating) |
| Port 2 center contact | Copper Beryllium Alloy | Gold Plating (without Nickel underplating) |

Related Documents

| | |
|----------------------|----------------|
| Outline drawing | DOU-00004266 |
| Mounting instruction | DOC-0000176104 |

Remarks

Return Loss 5600 - 5800 MHz typ > 20 dB

X-ON Electronics

Largest Supplier of Electrical and Electronic Components

Click to view similar products for [Surge Suppressors](#) category:

Click to view products by [Huber & Suhner](#) manufacturer:

Other Similar products are found below :

[GUS1](#) [GUS12](#) [BSPM1A600D600LVR](#) [2800521](#) [29-2053](#) [GUS11](#) [GUS2](#) [GUS3](#) [GUS4](#) [30460](#) [SRA64C060X](#) [PC642C015](#) [1810-15-A3](#)
[2713175](#) [4B06B-EC1-150LF](#) [SRA6LC](#) [BPMA75D100LV](#) [CX06M](#) [CCTV1](#) [GUS13](#) [GUS14](#) [GUS5](#) [GUS6](#) [VAL-MS 320/3+0-FM](#) [VAL-US-](#)
[120/40/1+1-FM](#) [VAL-US-120/65/1+1-FM](#) [VAL-US-480D/30/3+0-FM](#) [VAL-US-120/40/1+0-FM](#) [STCHSP121BT1RU](#) [LP-STRL-NFF](#) [LP-](#)
[STRL-DFE](#) [GUS22](#) [0804111](#) [5053609](#) [5053201](#) [SPD2-150-1P0](#) [SPD2-550-1P0](#) [6720005416](#) [6720005417](#) [1-2191595-2](#) [STC-CAT6-P0E-I](#)
[SPD2-350-1P0](#) [FLT-CP-350-ST](#) [TTC-6P-3-HF-F-M-12DC-UT-I](#) [SMTPA200](#) [2800989](#) [2906776](#) [2906810](#) [2906847](#) [2906848](#)