

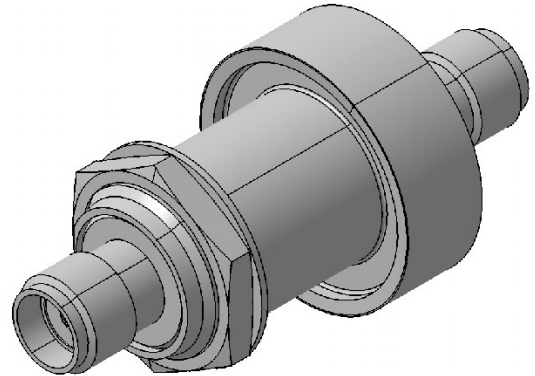
## EMP Protector 3406.19.0003

### Description

Slim Line GDT technology

#### Benefits

- Broad-band design
- DC continuity for remote powering
- The protector can also be installed reversely
- Fix installed GDT, static sparkover-voltage nom. 200 V
- Compliant to IEC 61643-21



### Product Configuration

Main path connectors Port 1: unprotected, SMA jack (female) - Port 2: protected, SMA jack (female)  
Mounting and grounding MH3 (bulkhead mounting), brk (bracket)

### Technical Data

#### Electrical Data

Impedance	50 Ω		
Frequency range	0 - 5800 MHz	0 - 5600 MHz	5600 - 5800 MHz
Return loss	≥ 18.5 dB	≥ 20 dB	≥ 18.5 dB
Insertion loss	≤ 0.2 dB	≤ 0.2 dB	≤ 0.2 dB
RF CW power	≤ 60 W		
PIM 3rd order	not specified		

Surge current handling capability 10 single / 5 multiple kA (test pulse 8/20 μs)  
Residual pulse energy 250 μJ typically (test pulse 4 kV 1.2/50 μs / 2 kA 8/20 μs) main path - protected side

#### Mechanical Data

Number of matings 500  
Weight 24 g

#### Environmental Data

Operating temperature -40 °C to +85 °C  
Waterproof degree IP20 (according to IEC 60529, data refer to the coupled state)  
2011/65/EU (RoHS - including 2015/863 and 2017/2102) compliant acc. Annex III

#### Material Data

Piece Parts	Material	Surface Plating
Housing	Brass	Silver / Gold Plating
Port 1 center contact	Copper Beryllium Alloy	Gold Plating (without Nickel underplating)
Port 2 center contact	Copper Beryllium Alloy	Gold Plating (without Nickel underplating)

### Related Documents

Outline drawing DOU-00004280.1  
Mounting instruction DOC-0000176104

### Remarks

Waterproof degree for unprotected side in mated condition: IP65 acc. IEC 60529.

## X-ON Electronics

Largest Supplier of Electrical and Electronic Components

*Click to view similar products for [Surge Suppressors](#) category:*

*Click to view products by [Huber & Suhner](#) manufacturer:*

Other Similar products are found below :

[GUS1](#) [GUS12](#) [BSPM1A600D600LVR](#) [2800521](#) [29-2053](#) [GUS11](#) [GUS2](#) [GUS3](#) [GUS4](#) [30460](#) [SRA64C060X](#) [PC642C015](#) [1810-15-A3](#)  
[2713175](#) [4B06B-EC1-150LF](#) [SRA6LC](#) [BPMA75D100LV](#) [CX06M](#) [CCTV1](#) [GUS13](#) [GUS14](#) [GUS5](#) [GUS6](#) [VAL-MS 320/3+0-FM](#) [VAL-US-](#)  
[120/40/1+1-FM](#) [VAL-US-120/65/1+1-FM](#) [VAL-US-480D/30/3+0-FM](#) [VAL-US-120/40/1+0-FM](#) [STCHSP121BT1RU](#) [LP-STRL-NFF](#) [LP-](#)  
[STRL-DFE](#) [GUS22](#) [0804111](#) [5053609](#) [5053201](#) [SPD2-150-1P0](#) [SPD2-550-1P0](#) [6720005416](#) [6720005417](#) [1-2191595-2](#) [STC-CAT6-P0E-I](#)  
[SPD2-350-1P0](#) [FLT-CP-350-ST](#) [TTC-6P-3-HF-F-M-12DC-UT-I](#) [SMTPA200](#) [2800989](#) [2906776](#) [2906810](#) [2906847](#) [2906848](#)