

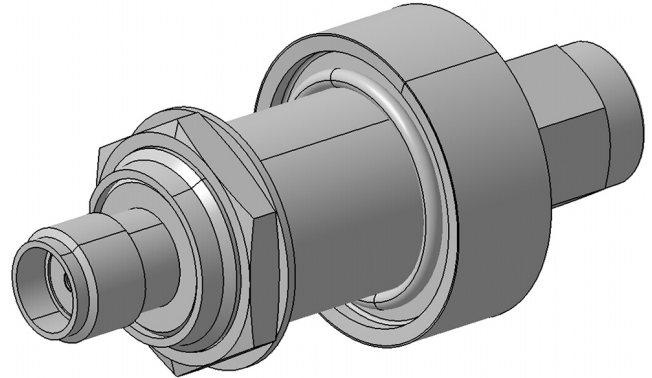
EMP Protector 3406.19.0004

Description

Slim Line GDT technology

Benefits

- Broad-band design
- DC continuity for remote powering
- The protector can also be installed reversely
- Fix installed GDT, static sparkover-voltage nom. 200 V
- Compliant to IEC 61643-21



Product Configuration

Main path connectors Port 1: unprotected, SMA plug (male) - Port 2: protected, SMA jack (female)
 Mounting and grounding MH3 (bulkhead mounting), brk (bracket)

Technical Data

Electrical Data

Impedance	50 Ω		
Frequency range	0 - 5800 MHz	0 - 5600 MHz	5600 - 5800 MHz
Return loss	≥ 18.5 dB	≥ 20 dB	≥ 18.5 dB
Insertion loss	≤ 0.2 dB	≤ 0.2 dB	≤ 0.2 dB
RF CW power	≤ 60 W		
PIM 3rd order	not specified		
DC supply voltage	≤ 48 V		
DC current	≤ 2 A		
Surge current handling capability	10 single / 5 multiple kA (test pulse 8/20 μs)		
Residual pulse energy	250 μJ typically (test pulse 4 kV 1.2/50 μs / 2 kA 8/20 μs) main path - protected side		

Mechanical Data

Number of matings	500
Weight	24 g

Environmental Data

Operating temperature	-40 °C to +85 °C
Waterproof degree	IP20 (according to IEC 60529, data refer to the coupled state)
2011/65/EU (RoHS - including 2015/863 and 2017/2102)	compliant acc. Annex III

Material Data

Piece Parts	Material	Surface Plating
Housing	Brass	Silver / Gold Plating
Port 1 center contact	Brass	Gold Plating (without Nickel underplating)
Port 2 center contact	Copper Beryllium Alloy	Gold Plating (without Nickel underplating)

Related Documents

Outline drawing	DOU-00004282.1
Mounting instruction	DOC-0000176104

Remarks

Waterproof degree for unprotected side in mated condition: IP65 acc. IEC 60529.

X-ON Electronics

Largest Supplier of Electrical and Electronic Components

Click to view similar products for [Surge Suppressors](#) category:

Click to view products by [Huber & Suhner](#) manufacturer:

Other Similar products are found below :

[0804000](#) [0804001](#) [0804003](#) [0804004](#) [0804005](#) [0804006](#) [0804007](#) [0804008](#) [0804009](#) [0804010](#) [0804011](#) [0804012](#) [0804013](#) [0804014](#)
[0804024](#) [0804025](#) [0804026](#) [0804027](#) [0804029](#) [0804030](#) [0804034](#) [0804035](#) [0804036](#) [0804037](#) [0804038](#) [0804039](#) [0804040](#) [0804041](#)
[0804042](#) [0804043](#) [0804047](#) [0804048](#) [0804049](#) [0804050](#) [0804099](#) [0804100](#) [0804101](#) [0804102](#) [0804103](#) [0804104](#) [0804105](#) [0804106](#)
[0804107](#) [0804108](#) [0804110](#) [0804111](#) [0804113](#) [0804114](#) [0804115](#) [0804116](#)